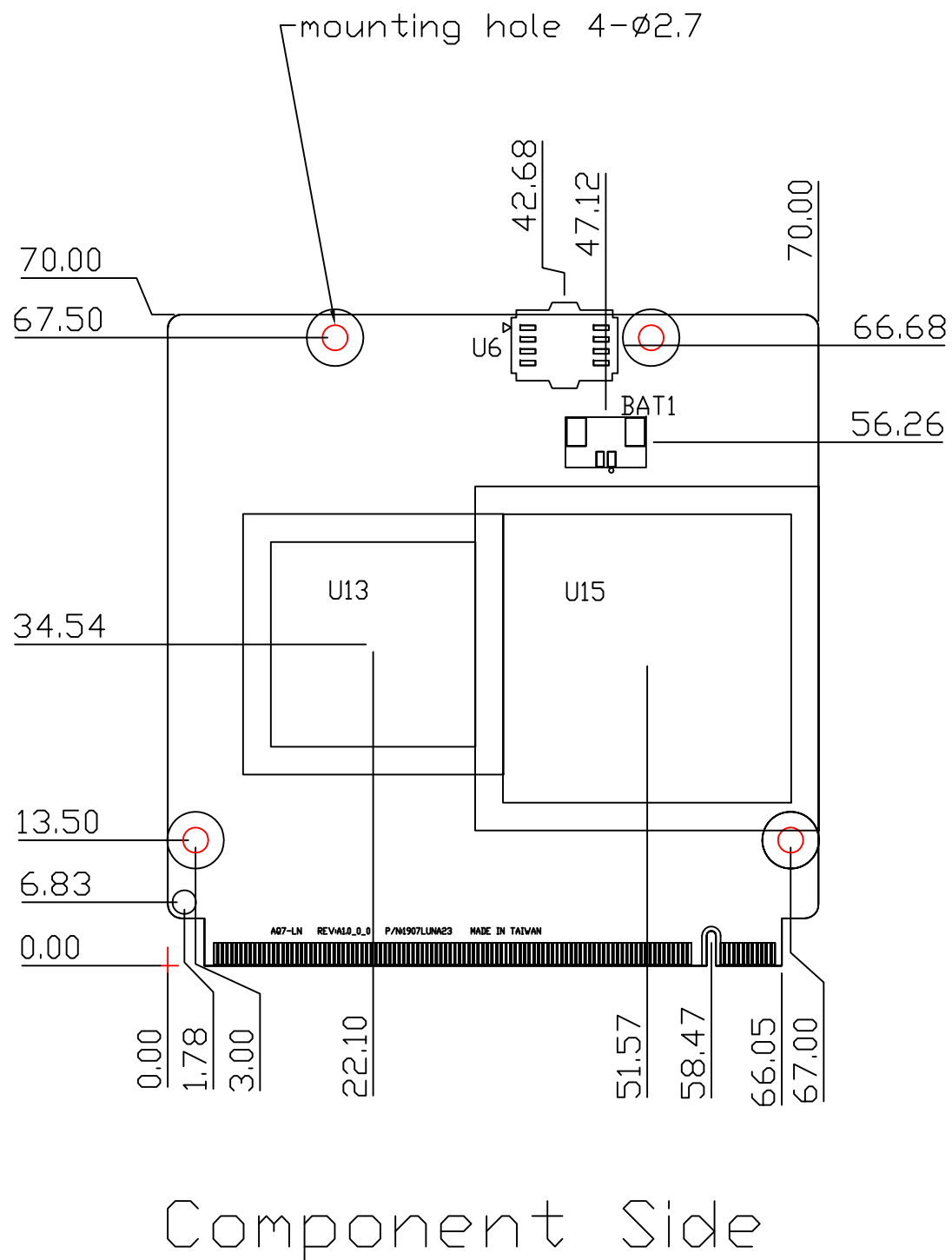
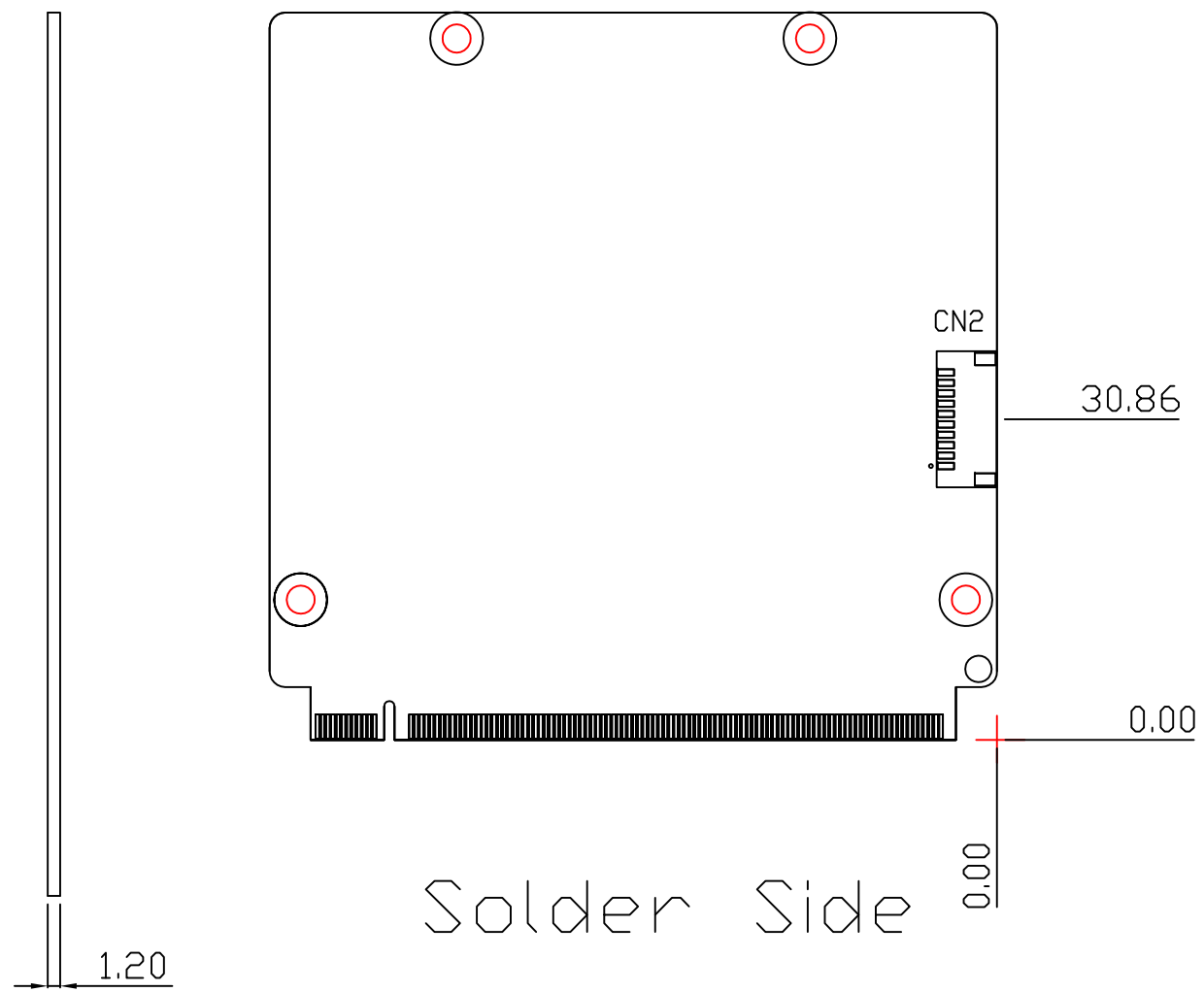


| ITEM | DATE | REMARK | DESIGNED | APPROVED |
|------|------|--------|----------|----------|
| 1 | | | | |
| 2 | | | | |
| 3 | | | | |

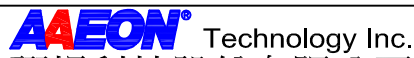


Component Side



Solder Side

NOTE:
The Height of Cooling System Depends on Customer Cooling Device.

| | | | | | |
|---|----------------|---------------------|----------|---|------------------|
| GENERAL TOL. >0 ±0.1 >10 ±0.2 >50 ±0.3 >200 ±0.5 >500 ±0.8 | MATERIAL: PCB | PART No. 1907LUNA23 | |  研揚科技股份有限公司 NAME PCB_DRAWING | |
| | SPEC.: T=1.2MM | DWG No. 1907LUNA23 | | | |
| ANGLE TOL. ±0.5° | FINISH: NA | APPROVED | CHECKED | DESIGNED | MODEL No. AQ7-LN |
| | UNIT: MM | SCALE: 1/1 | WAYNE | GLENWEN | REV. 1.0 |
| | | | 20100714 | 20100714 | SHEET: 1 / 1 |