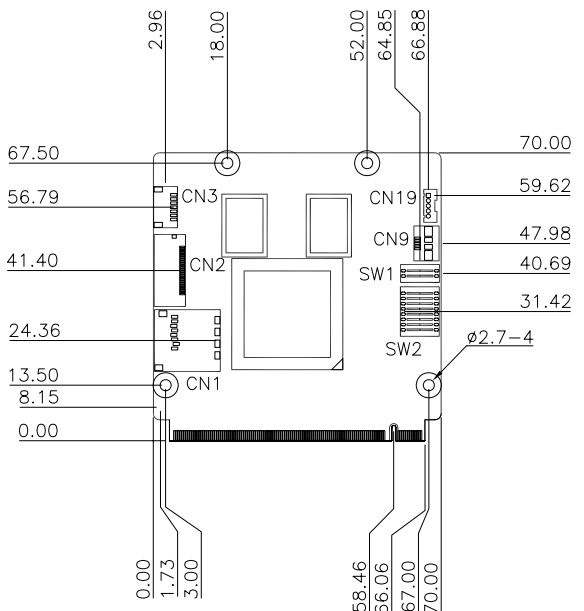
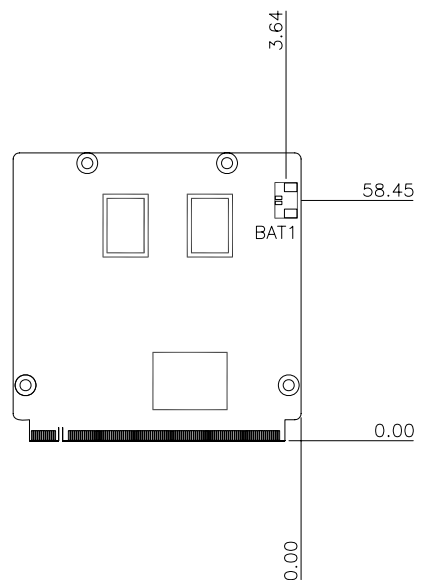
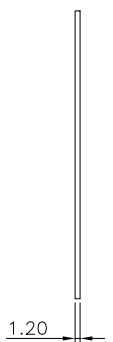


ITEM	DATE	REMARK	DESIGNED	APPROVED
1				
2				
3				



Component Side



Solder Side

GENERAL TOL.	MATERIAL: NA	PART No. 1907MX6004		AAEON [®] Technology Inc. <i>An AULIS Company</i>	
>0 ±0.1	SPEC.: 1.2t	DWG No. 1907MX6004			
>10 ±0.2	FINISH: NA	APPROVED	CHECKED	DESIGNED	NAME PCB DRAW
>50 ±0.3	UNIT: MM		GLEN WEN	TERRY HSU	MODEL No. AQ7-IMX6
>200 ±0.5	SCALE:		2014/04/30	2014/04/30	REV. A1.0
>500 ±0.8					
ANGLE TOL.					
±0.5°					