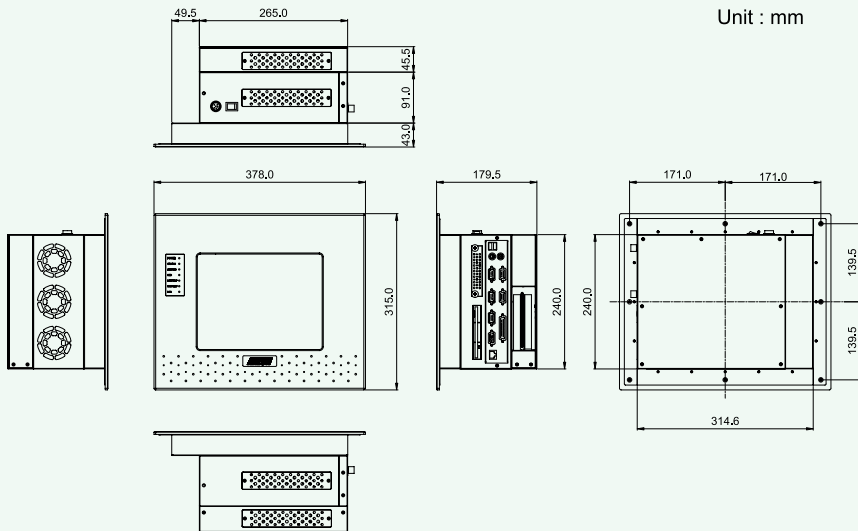
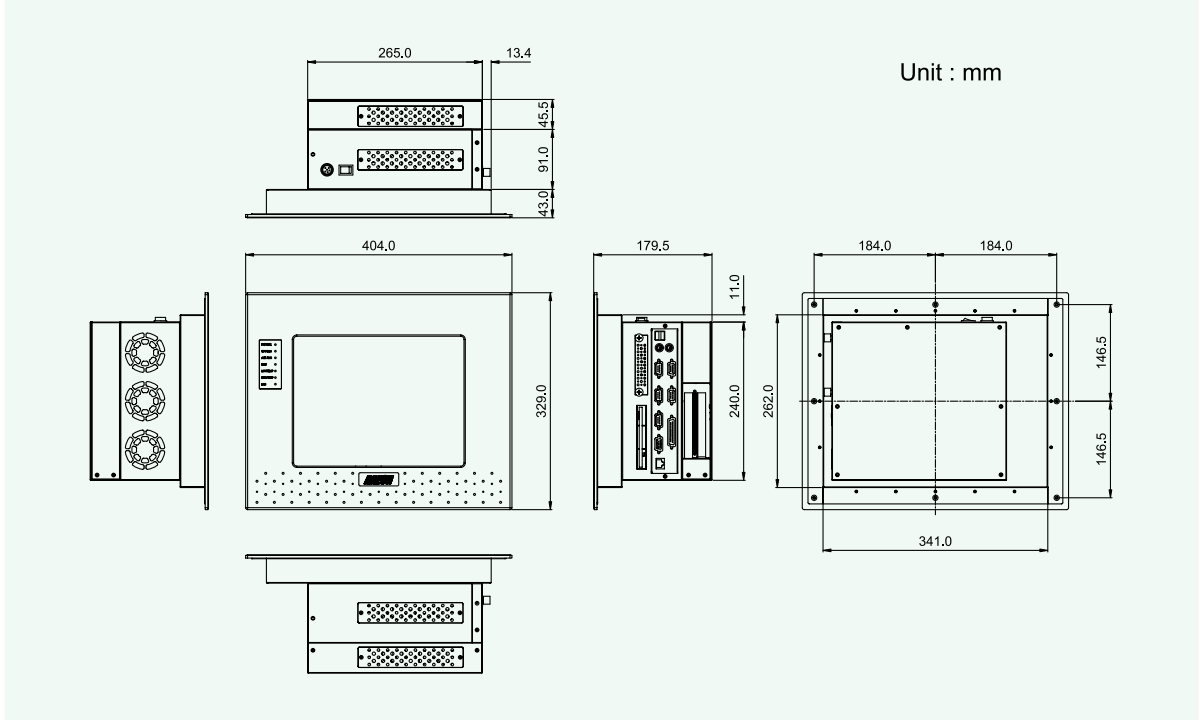


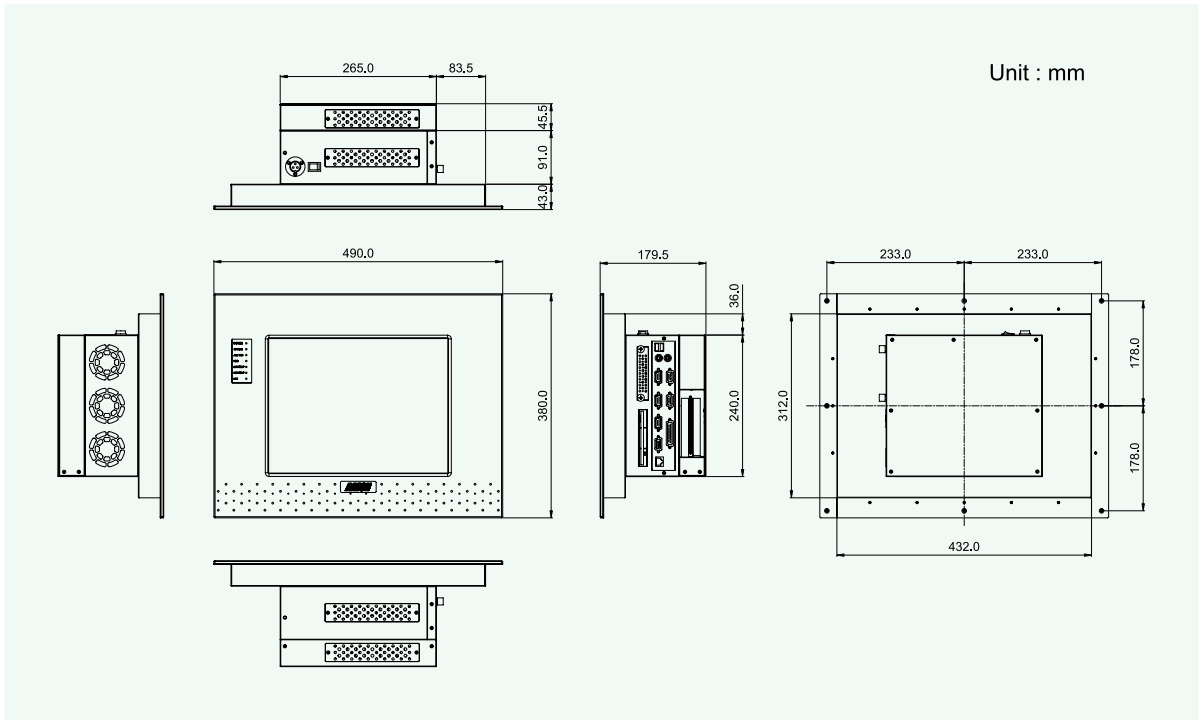
Dimension



T2-10A



T2-12A



T2-15A