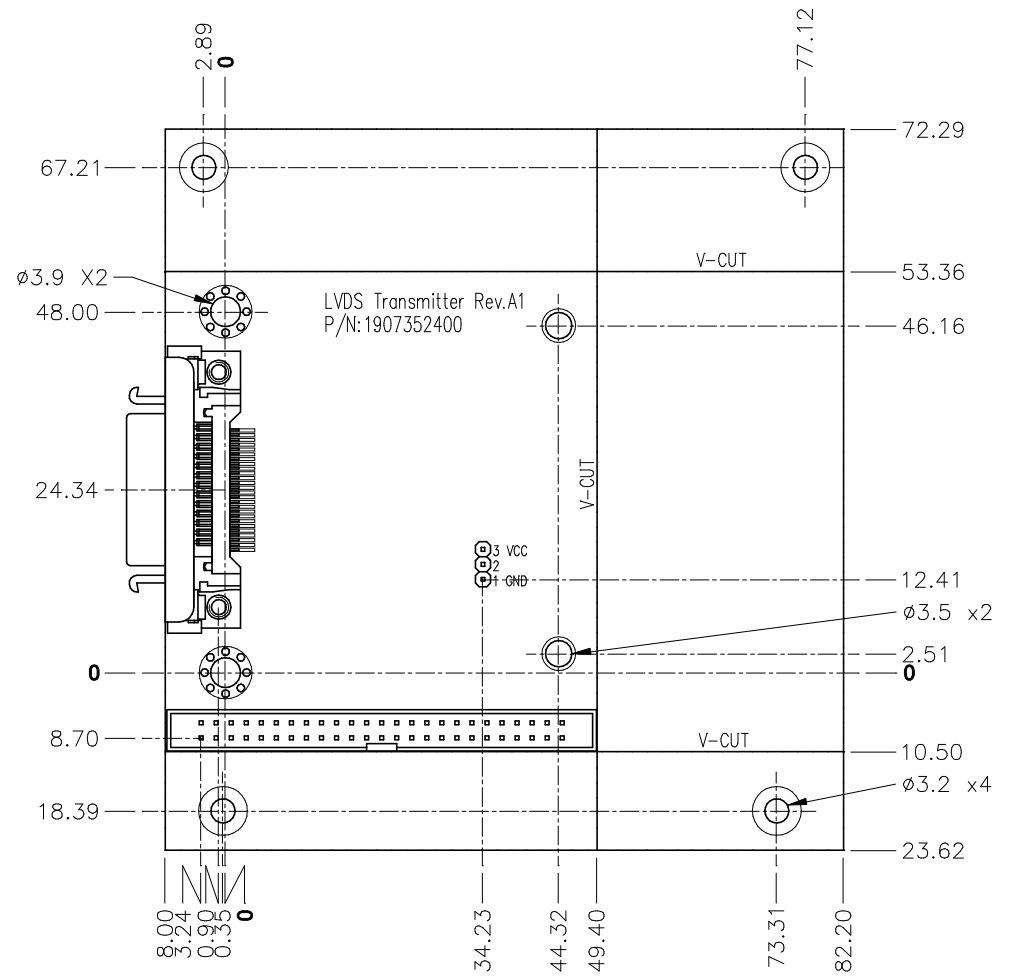


P/N: 1907352400



P/N: 1907352400

AAEON PCM-3524 REV. A1.0 Mechanical Drawing

UNIT: mm