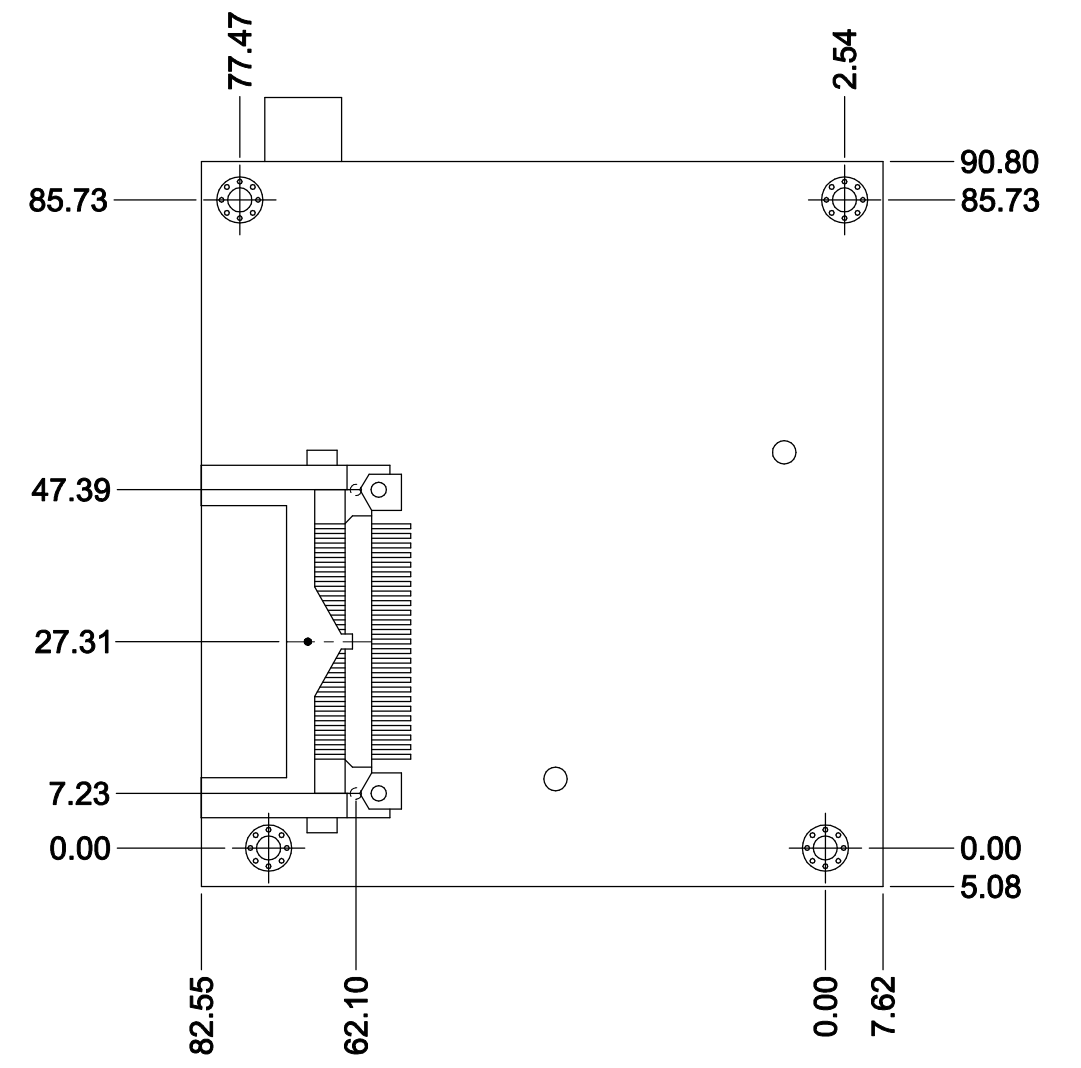
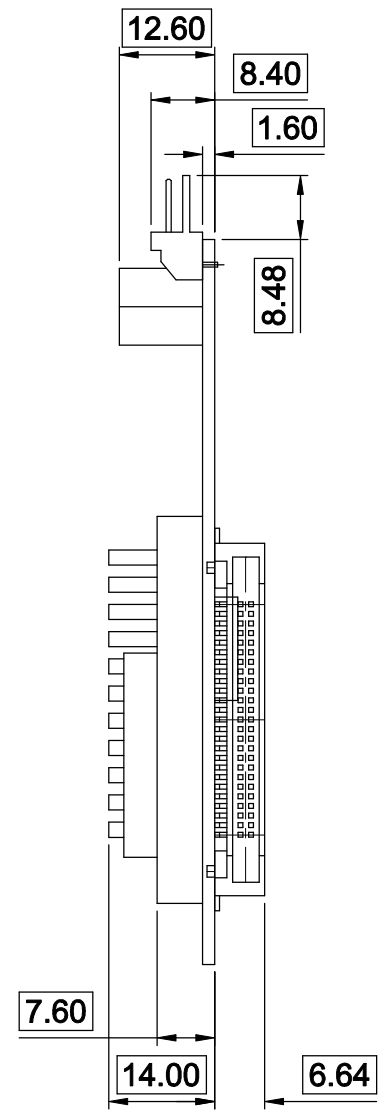
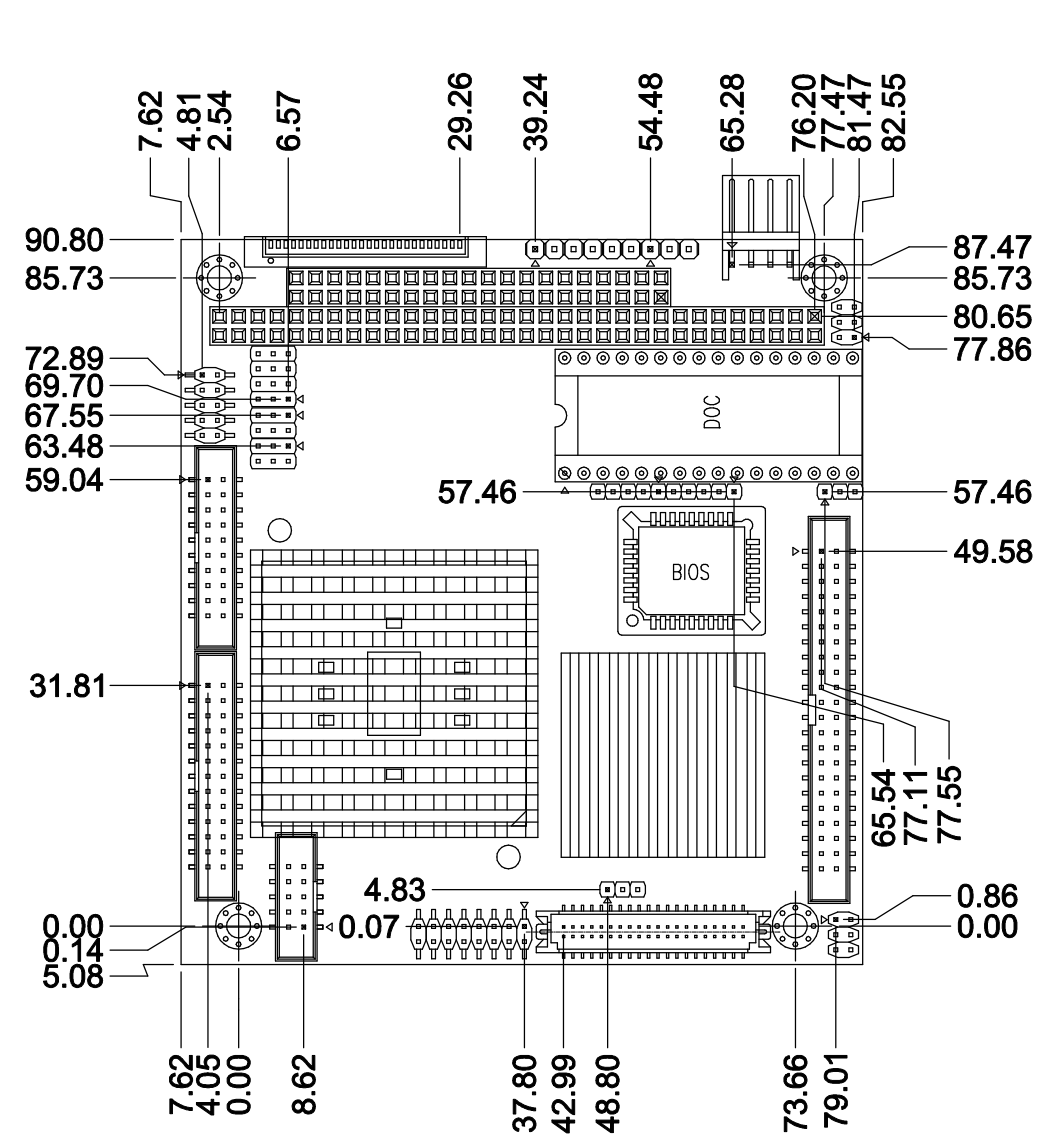


# AAEON PCM-532I Rev a0.2 Mechanical Drawing

ITEM	DATE	REMARK	DESIGNED	APPROVED
A				
B				
C				



**NOTE:**  
The Height of Cooling System Depends on Customer Cooling Device.

GENERAL TOL. >0 ±0.1 >10 ±0.2 >50 ±0.3 >200 ±0.5 >500 ±0.8	MATERIAL: SPEC.:	PART No. 1907532I01 DWG No. 1907532I01	 研揚科技股份有限公司	
ANGLE TOL. ±0.5°	FINISH: UNIT: MM	APPROVED	CHECKED Chan 2005/11/16	DESIGNED Johnny 2005/11/16
SCALE: 1/1		NAME PCB MODEL No. PFM-532I REV. A0.2	SHEET: 1 / 1	