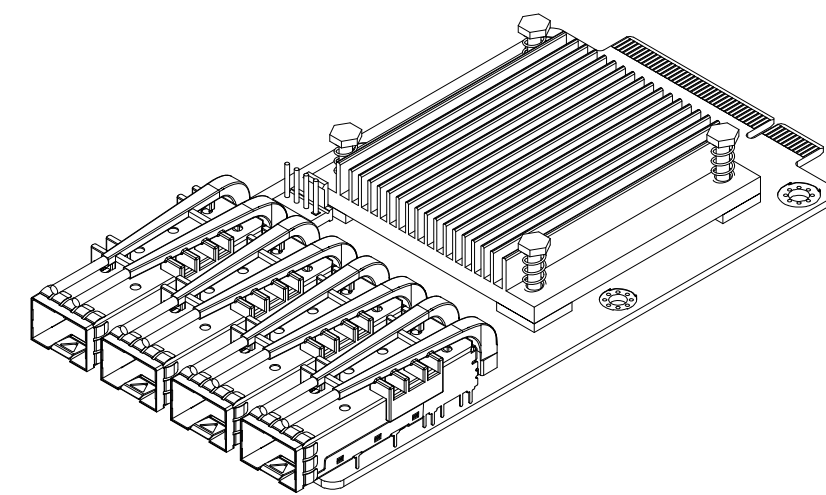
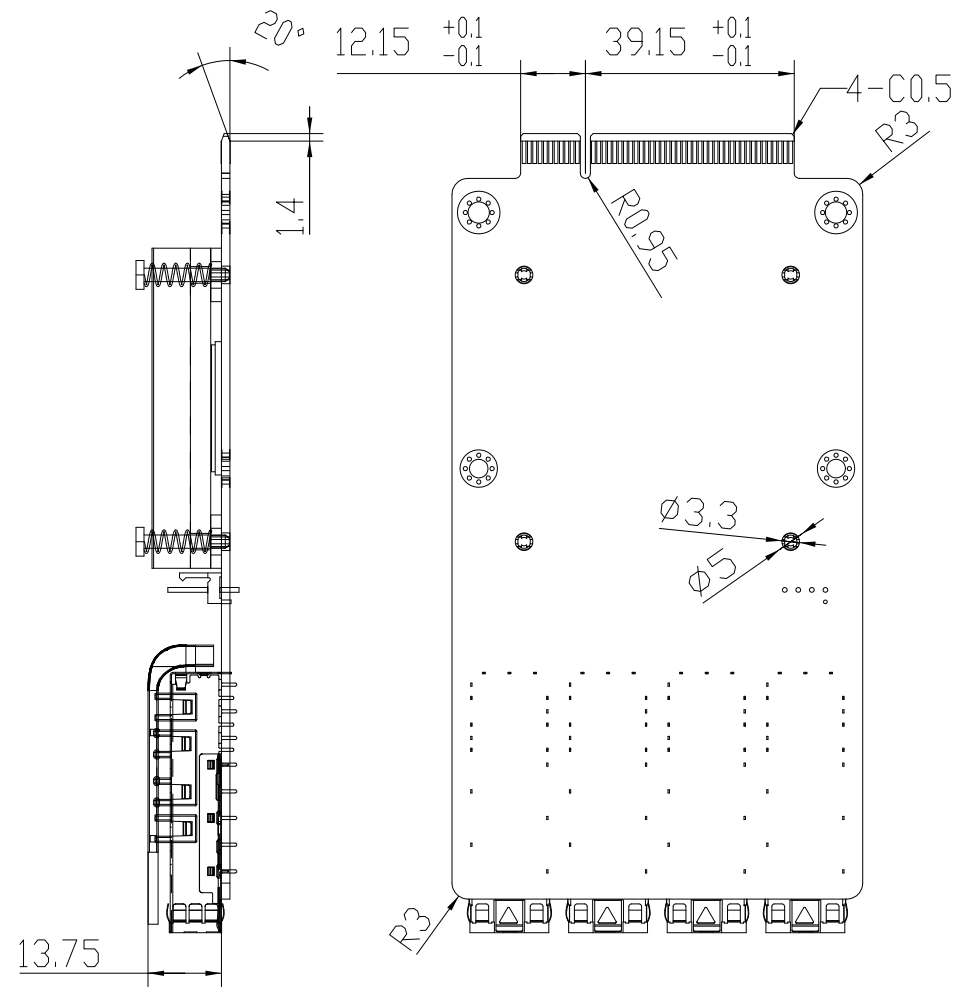
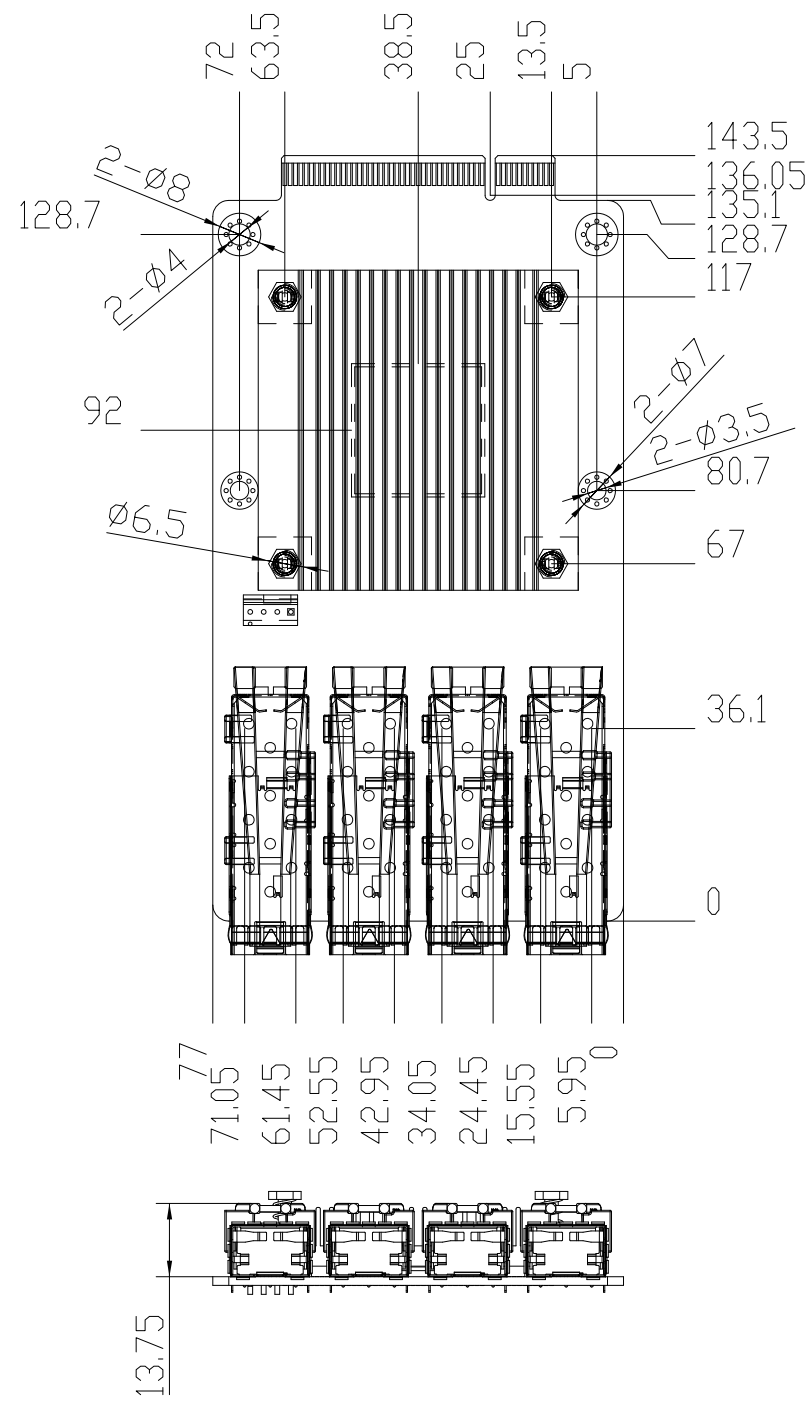


ITEM	DATE	REMARK	DESIGNED	APPROVED
1				
2				
3				



GENERAL TOL. >0 ±0.1 >10 ±0.2 >50 ±0.3 >200 ±0.5 >500 ±0.8	MATERIAL: FR4 SPEC: T=1.6mm FINISH: N/A UNIT: MM SCALE: 1.000	PART NO: 9697S26A03-D DWG NO: 9697S26A03-D APPROVED	CHECKED VINCENT 06-JUL-16	DESIGNED PAN 06-JUL-16	AEON[®] Technology Inc. An ASUS Company NAME: Mechanical Drawing MODEL NO: NIM-S26A REV. 1.0 SHEET: 1/2
	ANGLE TOL. ±0.5°				