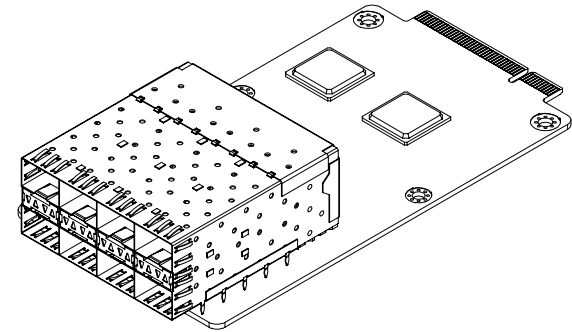
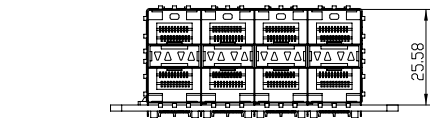
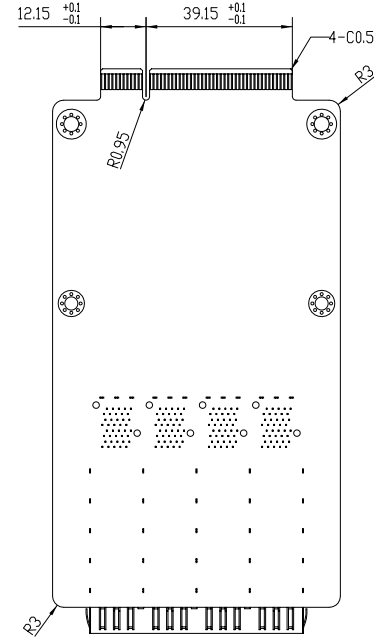
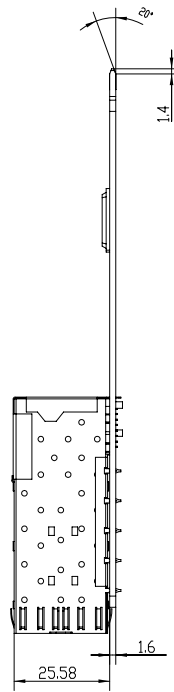
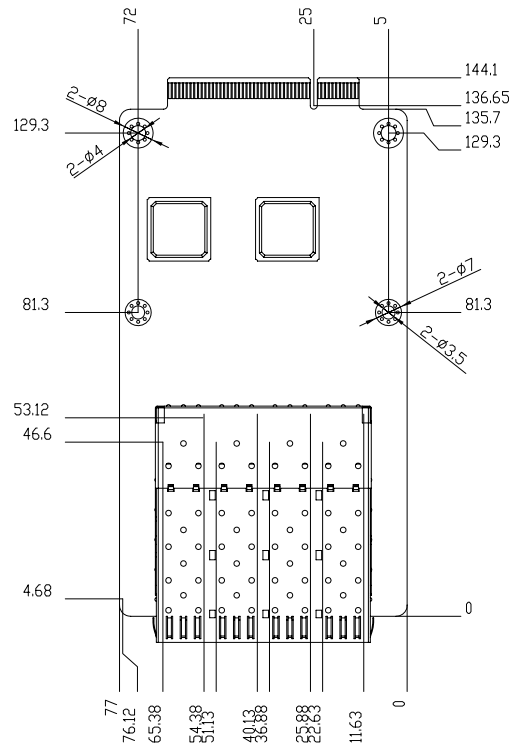


ITEM	DATE	REMARK	DESIGNED	APPROVED
1				
2				
3				



GENERAL TOL.	MATERIAL: FR4	PART NO:	9697S13A04-D		 <b>Aeon</b> Technology Inc. <i>An iTEC Company</i>
>0 ±0.1	SPEC: T=1.6mm	DWG NO:	9697S13A04-D		
>10 ±0.2	FINISH: N/A	APPROVED	CHECKED	DESIGNED	NAME: Mechanical Drawing
>50 ±0.3	UNIT: MM		VINCENT	PAN	MODEL NO: PER-S13A
>200 ±0.5	SCALE: 1:000		25-JAN-16	25-JAN-16	REV. 1.0
>500 ±0.8					
ANGLE TOL. ±0.5°					