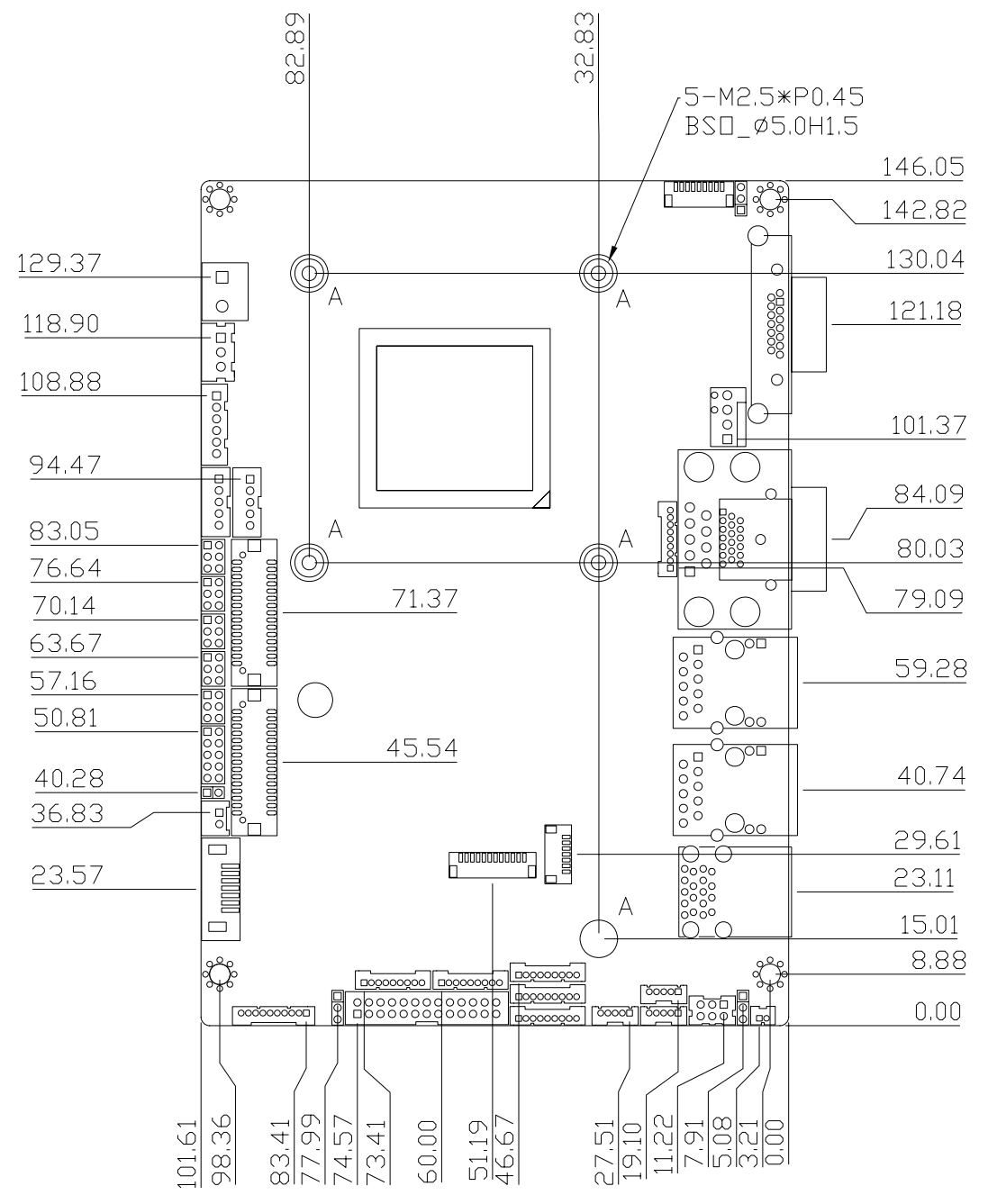
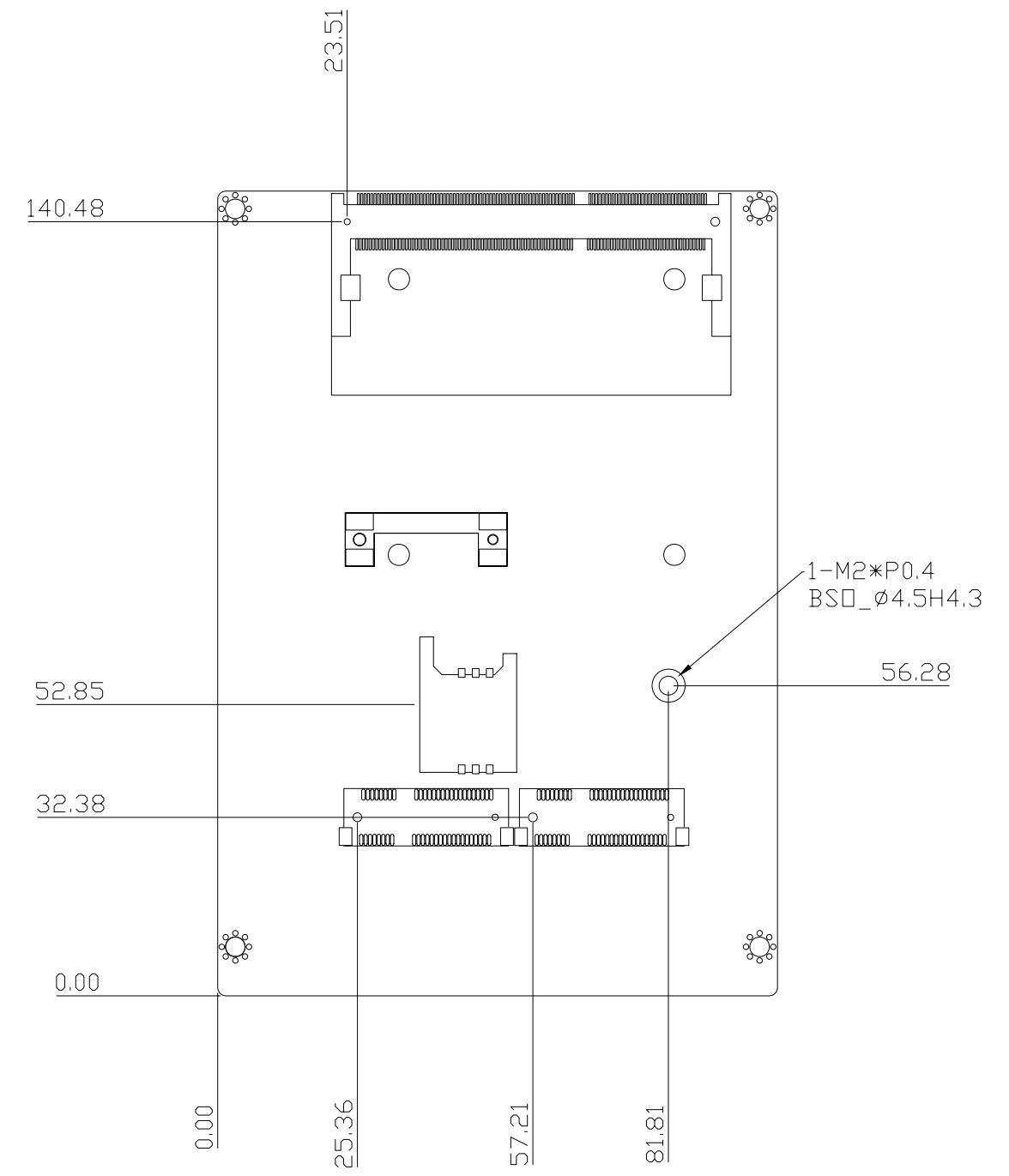
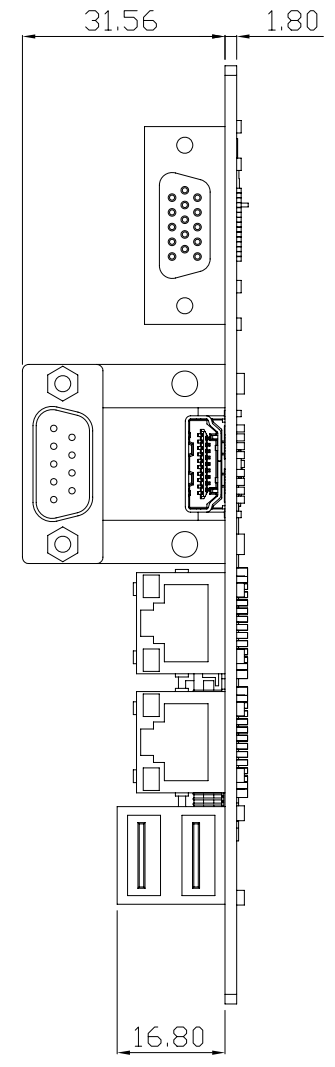


ITEM	DATE	REMARK	DESIGNED	APPROVED
1				
2				
3				

1  
2  
3  
4  
5  
6  
7  
8  
9  
10  
11



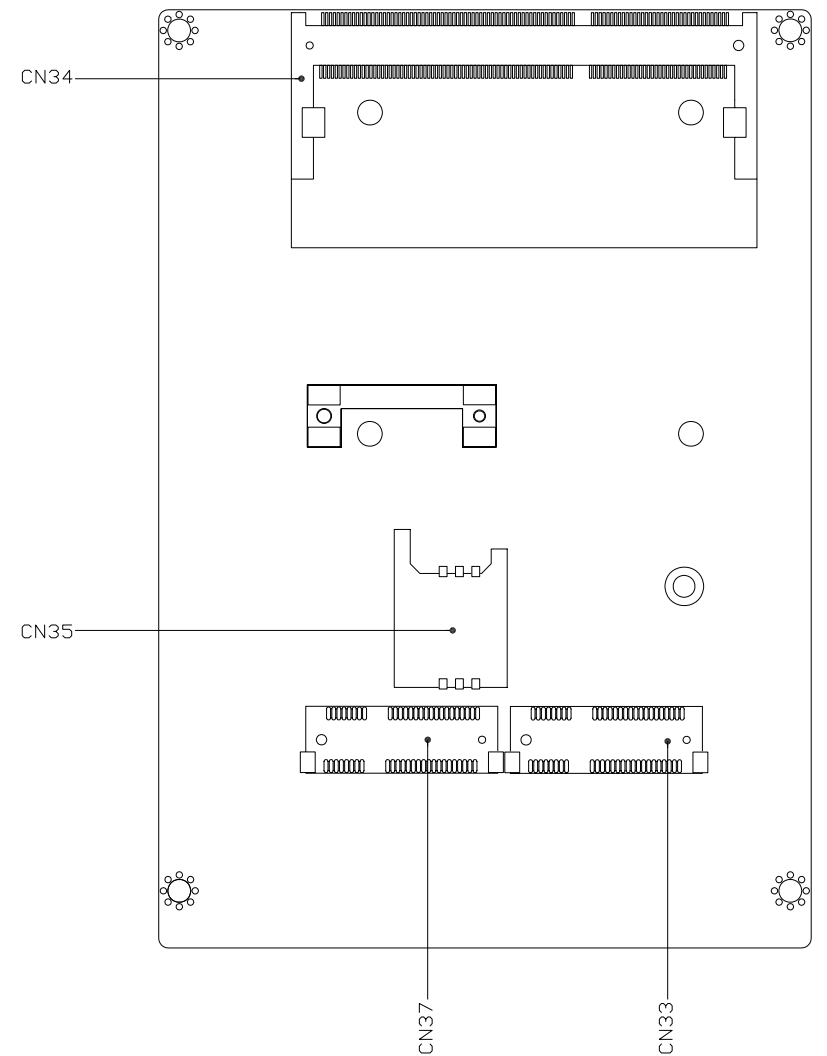
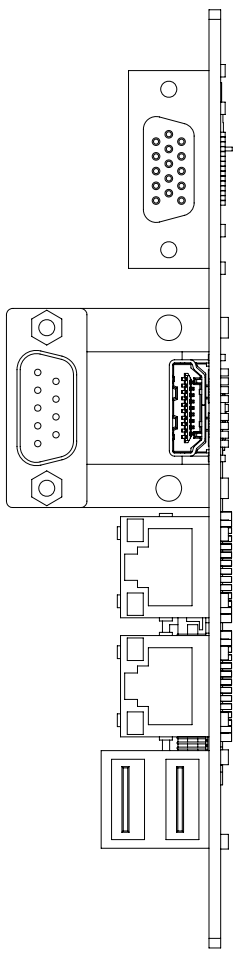
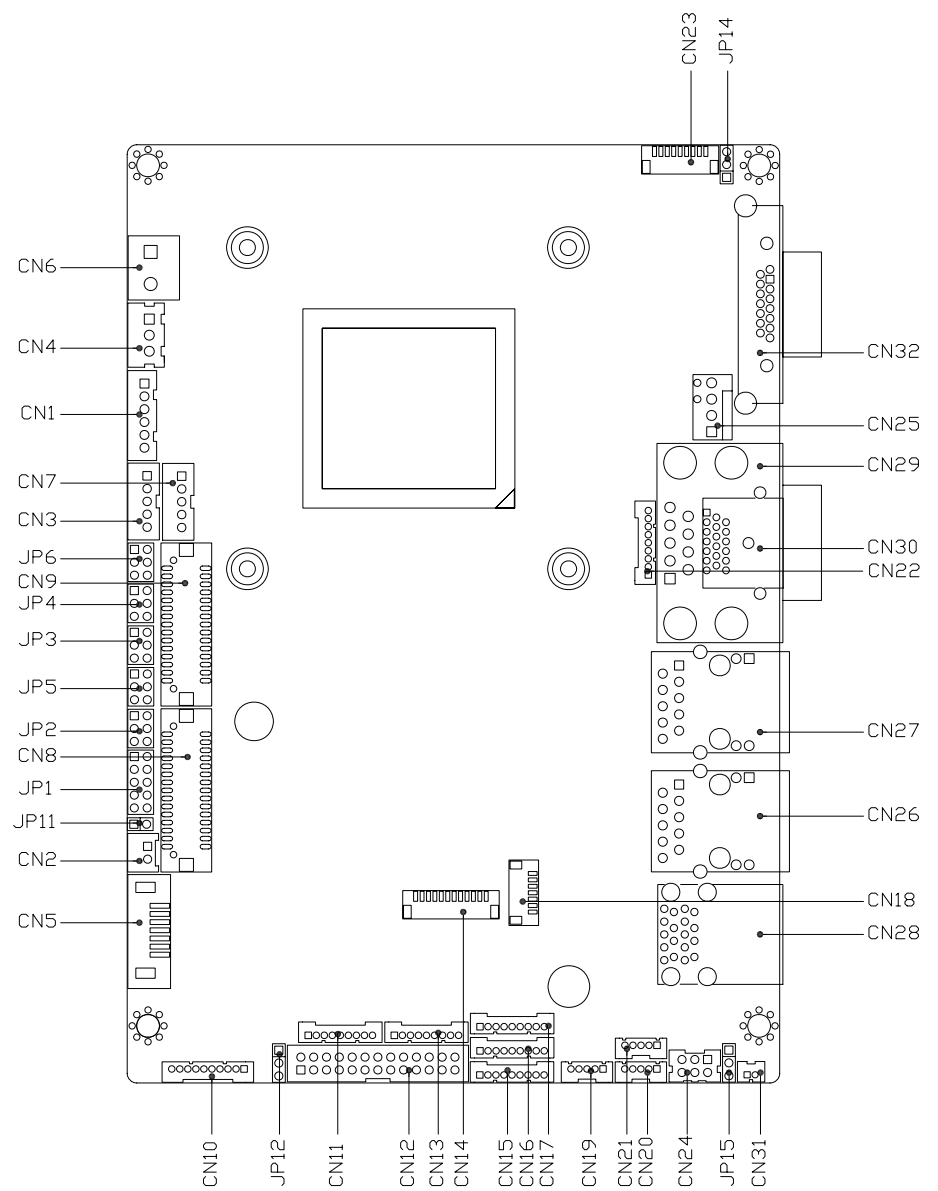
Component Side



Solder Side

<b>GENERAL TOL.</b> >0 ±0.1 >10 ±0.2 >50 ±0.3 >200 ±0.5 >500 ±0.8 <b>ANGLE TOL.</b> ±0.5°	MATERIAL: PCB	PART No. 1907BSW502			An ASUS Company
	SPEC.: t=1.8mm	DWG No. 1907BSW502			
	FINISH: NA	APPROVED	CHECKED	DESIGNED	NAME PCB_DRAWING
	UNIT: MM		Glen	TerryHsu	MODEL No. GENE-BSW5
	SCALE:		2015/11/09	2015/11/09	REV. A1.0 SHEET: 1 / 2

ITEM	DATE	REMARK	DESIGNED	APPROVED
1				
2				
3				



Component Side

Solder Side

<b>GENERAL TOL.</b> >0 ±0.1 >10 ±0.2 >50 ±0.3 >200 ±0.5 >500 ±0.8 <b>ANGLE TOL.</b> ±0.5°	MATERIAL: PCB	PART No. 1907BSW502		An ASUS Company	
	SPEC.: t=1.8mm	DWG No. 1907BSW502			
	FINISH: NA	APPROVED	CHECKED	DESIGNED	NAME PCB_DRAWING
	UNIT: MM		Glen	TerryHsu	MODEL No. GENE-BSW5
SCALE:		2015/11/09	2015/11/09	REV. A1.0	SHEET: 2 / 2