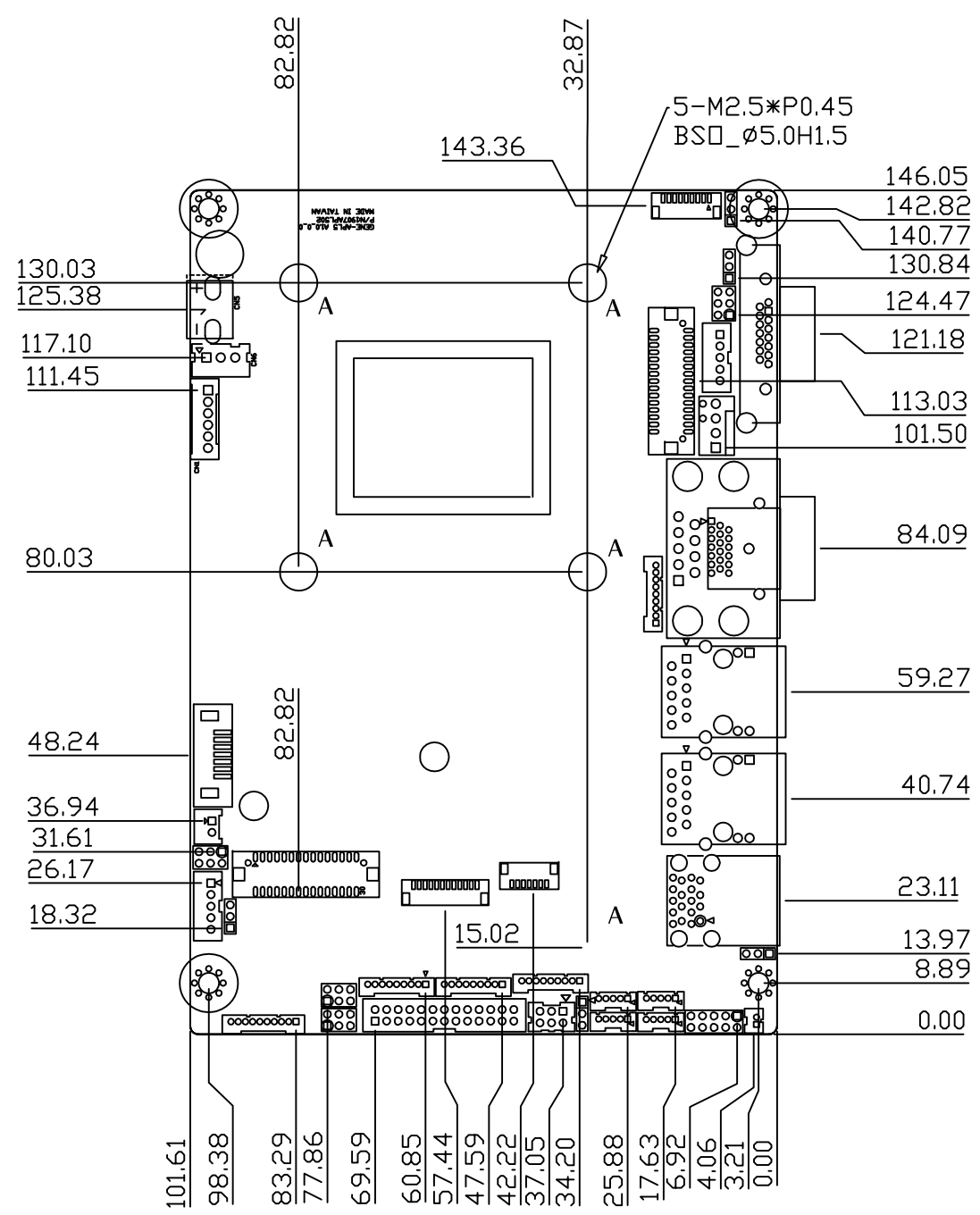
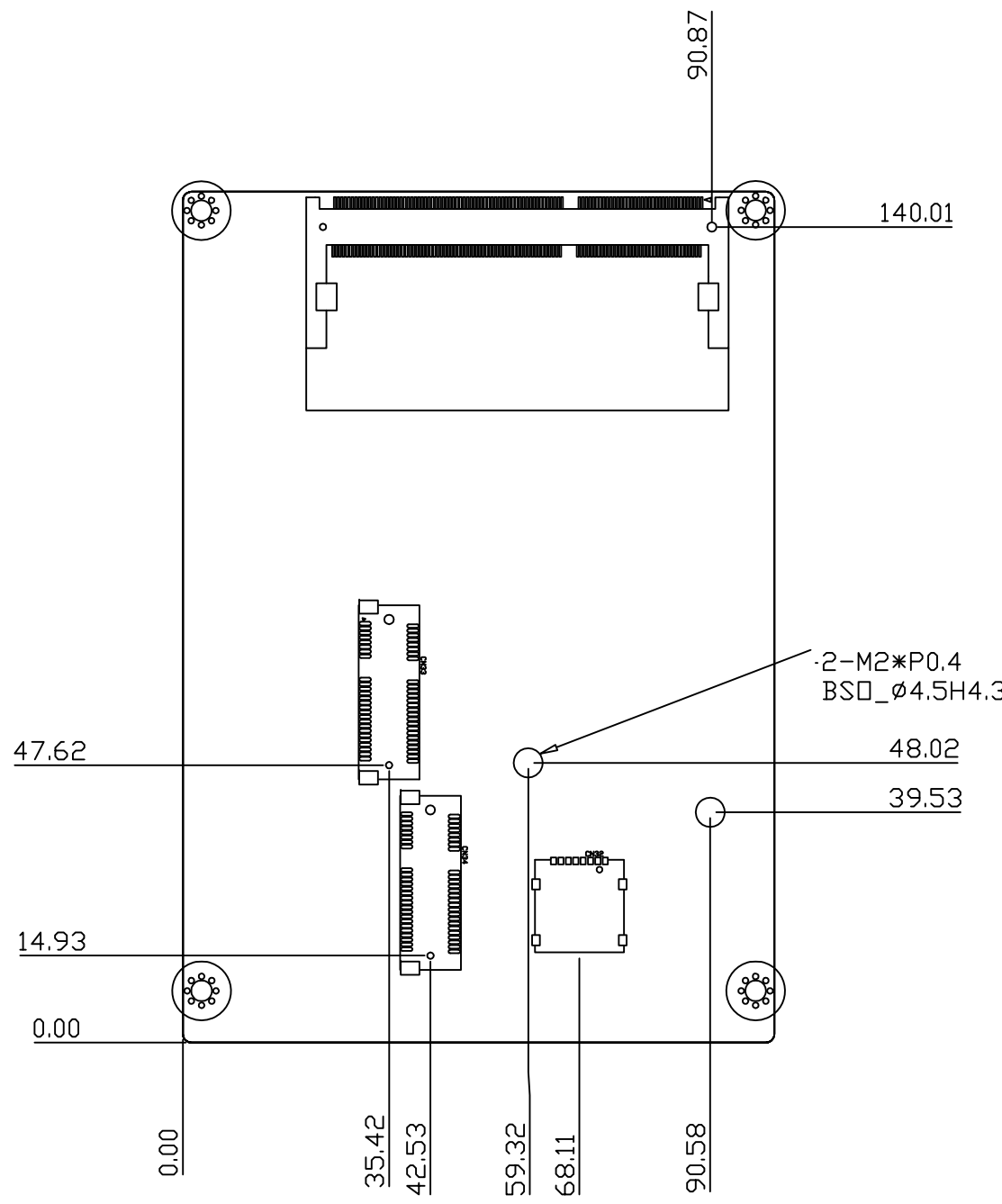
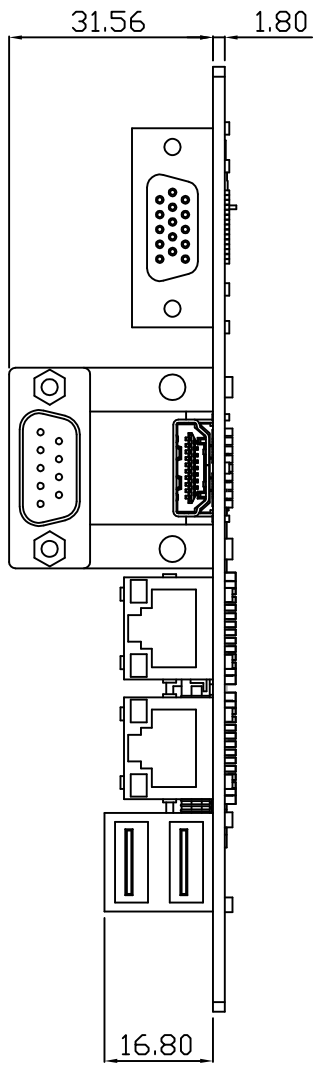


ITEM	DATE	REMARK	DESIGNED	APPROVED
1				
2				
3				



Component Side

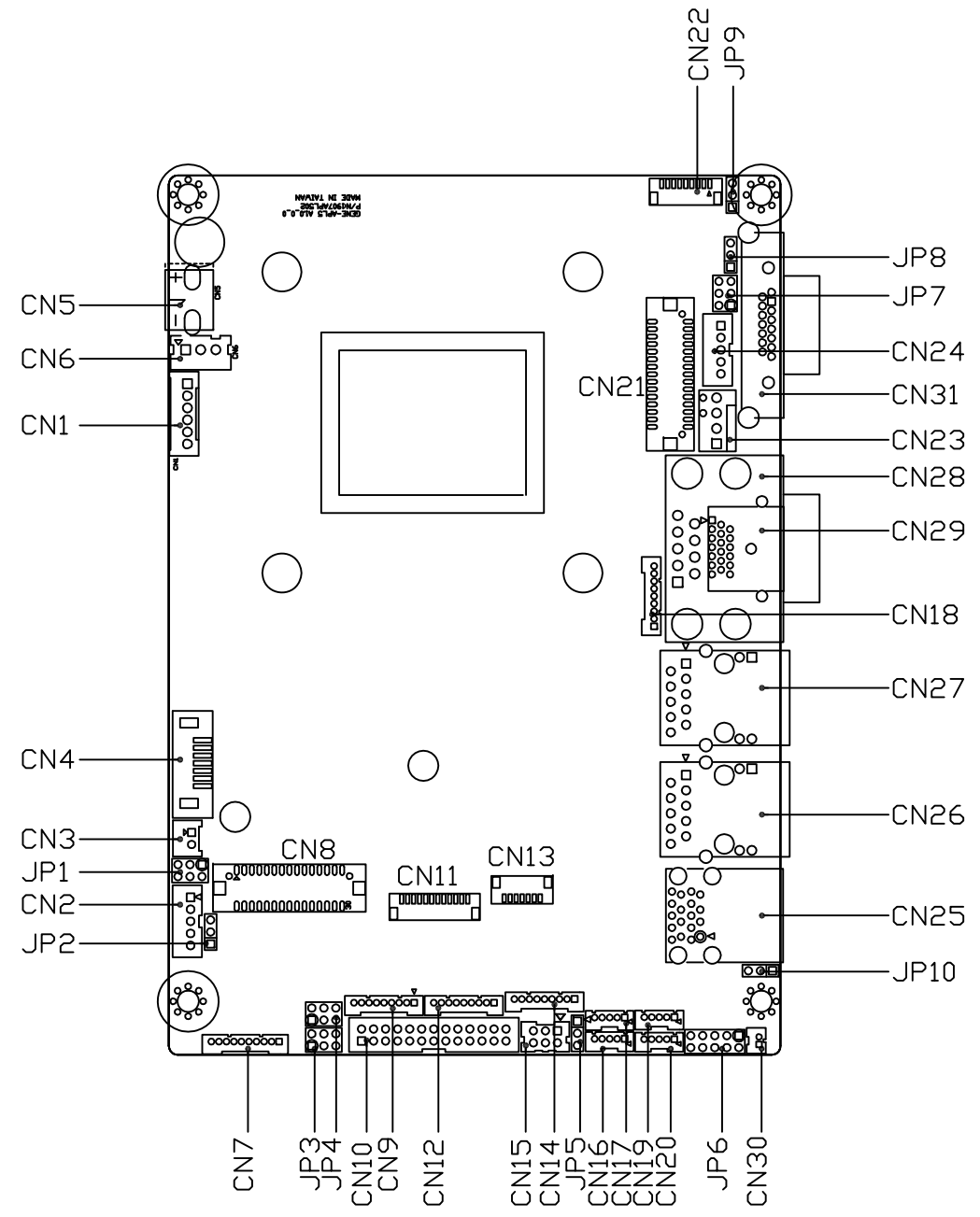


Solder Side

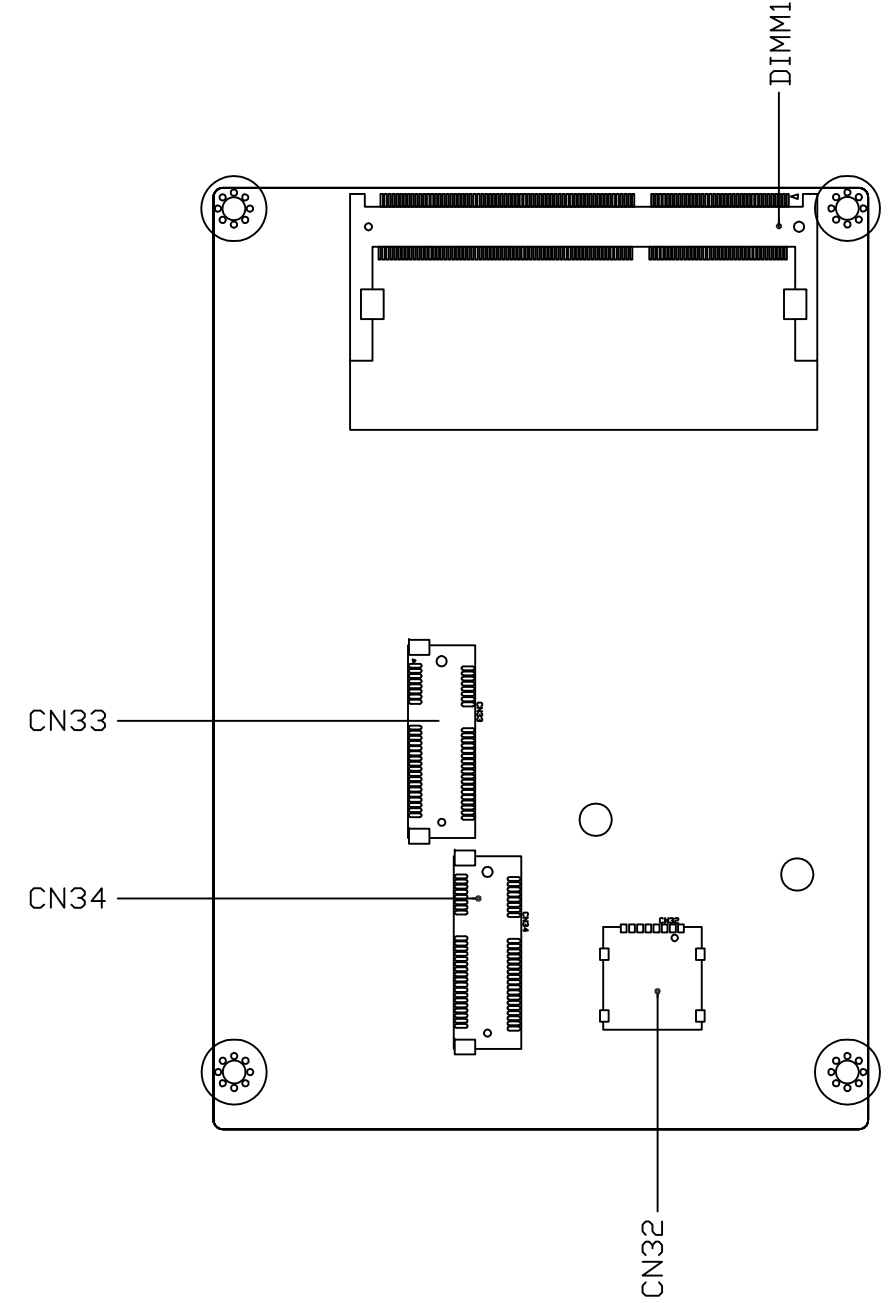
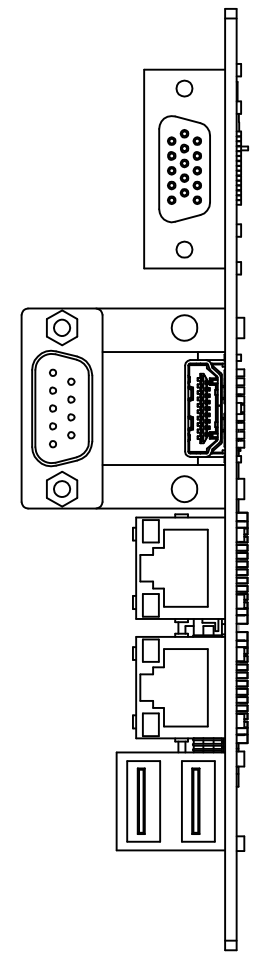
GENERAL TOL. >0 ±0.1 >10 ±0.2 >50 ±0.3 >200 ±0.5 >500 ±0.8	MATERIAL: PCB	PART No. 1907APL502		<b>AEEON</b> <sup>®</sup> Technology Inc. An <b>AVES</b> Company	
	SPEC.: t=1.8mm	DWG No. 1907APL502			
ANGLE TOL. ±0.5°	FINISH: NA	APPROVED	CHECKED	DESIGNED	NAME PCB_DRAWING
	UNIT: MM	SCALE:	KEVI	Glen	MODEL No. GENE-APL5
			20161027	20161027	REV. A1.0

ITEM	DATE	REMARK	DESIGNED	APPROVED
1				
2				
3				

1  
2  
3  
4  
5  
6  
7  
8  
9  
10  
11



Component Side



Solder Side

GENERAL TOL. >0 ±0.1 >10 ±0.2 >50 ±0.3 >200 ±0.5 >500 ±0.8	MATERIAL: PCB	PART No. 1907APL502			<b>AEON</b> <sup>®</sup> Technology Inc. <i>An ASUS Company</i>
	SPEC.: t=1.8mm	DWG No. 1907APL502			
ANGLE TOL. ±0.5°	FINISH: NA	APPROVED	CHECKED	DESIGNED	NAME PCB_DRAWING
	UNIT: MM	SCALE:	KEVI	Glen	MODEL No. GENE-APL5
			20161027	20161027	REV. A1.0