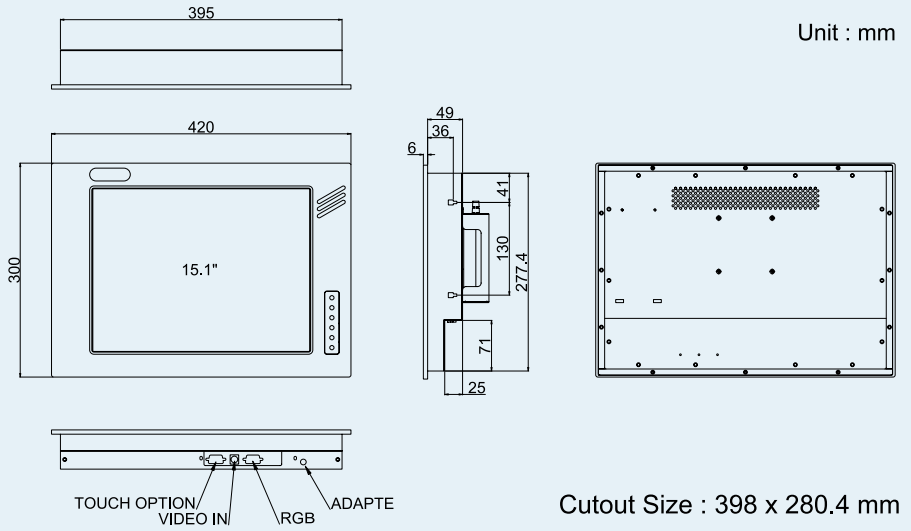
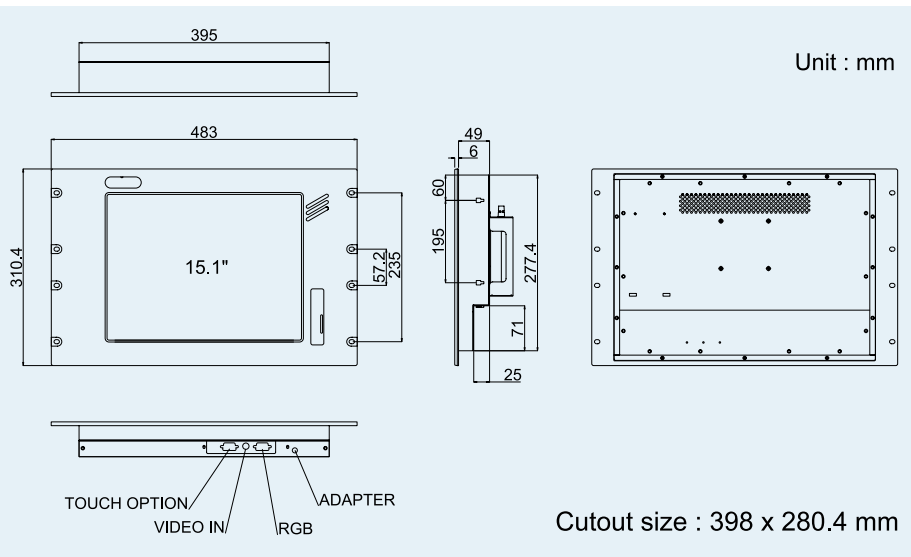


# Dimension



**AMB-255A**



**AMB-255AR**