

PER-U01H

High Definition Codec
Audio Daughter Board

Copyright Notice

This document is copyrighted, 2008. All rights are reserved. The original manufacturer reserves the right to make improvements to the products described in this manual at any time without notice.

No part of this manual may be reproduced, copied, translated, or transmitted in any form or by any means without the prior written permission of the original manufacturer. Information provided in this manual is intended to be accurate and reliable. However, the original manufacturer assumes no responsibility for its use, or for any infringements upon the rights of third parties that may result from its use.

The material in this document is for product information only and is subject to change without notice. While reasonable efforts have been made in the preparation of this document to assure its accuracy, AAEON assumes no liabilities resulting from errors or omissions in this document, or from the use of the information contained herein.

AAEON reserves the right to make changes in the product design without notice to its users.

Acknowledgments

All other products' name or trademarks are properties of their respective owners.

- Award is a trademark of Award Software International, Inc.
- CompactFlash™ is a trademark of the Compact Flash Association.
- Intel®, Pentium® M, and Celeron® M are trademarks of Intel® Corporation.
- Microsoft Windows® is a registered trademark of Microsoft Corp.
- ITE is a trademark of Integrated Technology Express, Inc.
- IBM, PC/AT, PS/2, and VGA are trademarks of International Business Machines Corporation.
- SoundBlaster is a trademark of Creative Labs, Inc.

All other product names or trademarks are properties of their respective owners.

Packing List

Before you begin installing your card, please make sure that the following materials have been shipped:

- 1 10-Pin Audio Cable
- 1 CD-ROM for Manual (in PDF format) and drivers
- 1 PER-U01H

If any of these items should be missing or damaged, please contact your distributor or sales representative immediately.

Contents

Chapter 1 General Information

1.1 Introduction.....	1-2
1.2 Features	1-3
1.3 Specifications	1-4

Chapter 2 Quick Installation Guide

2.1 Safety Precautions	2-2
2.2 Locations of Connectors	2-3
2.3 Mechanical Drawing	2-4
2.4 List of Connectors	2-5
2.5 CD-in (J1)	2-6
2.6 Front Header (J2)	2-6
2.7 HAD in (CN3)	2-6

Chapter 3 Driver Installation

3.1 Installation	3-2
------------------------	-----

Chapter

1

**General
Information**

1.1 Introduction

The PER-U01H is an audio daughter board that meets Microsoft WHQL/WLP3.0 Audio requirements. The chipset of PER-U01H is Realtek ALC888 High Definition Audio Codec. This unit is designed to support AAEON full-size and half-size CPU cards to permit 7.1 output channel audio function. It is compliant with HDA specifications and is Direct Sound 3D compatible. Moreover, PER-U01H equips high quality differential CD input with 6 phone jacks and 2 phone jacks are from front panel header.

1.2 Features

- Meets Microsoft WHQL/WLP 3.0 Audio requirements
- 44.1K/48K/96K/192KHz DAC Sample Rate
- Direct Sound 3D Compatible
- Compliant with HDA Specifications
- Provides 7.1 Output Channels
- High-quality Differential CD Input
- 6 Phone Jacks and CD-in
- 2 Pin Headers For Front Panel

1.3 Specifications

System

- Chipset Realtek ALC888 High Definition Audio Codec
- Front out channel 50mW/20 Ω Amplifier built in
- Center out channel 50mW/20 Ω Amplifier built in
- Surround out channel 50mW/20 Ω Amplifier built in
- Side surround channel 50mW/20 Ω Amplifier built in
- Microphone 1 Input 50mW/20 Ω Amplifier built in
- Line-in 50mW/20 Ω Amplifier built in
- Microphone 2 Input (Front) 50mW/20 Ω Amplifier built in
- Headphone Output (Front) 50mW/20 Ω Amplifier built in
- Operating Temperature 32°F~140°F (0°C~60°C)

Chapter

2

**Quick
Installation
Guide**

2.1 Safety Precautions

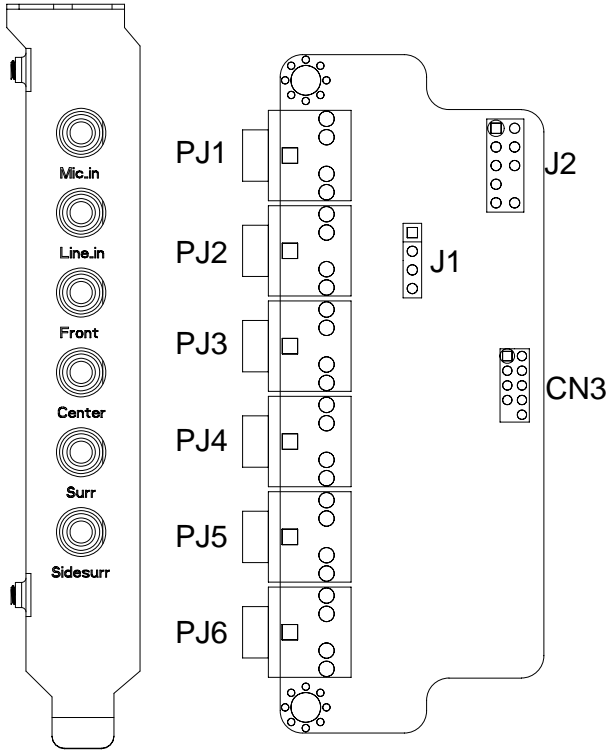
Warning!

Always completely disconnect the power cord from your board whenever you are working on it. Do not make connections while the power is on, because a sudden rush of power can damage sensitive electronic components.

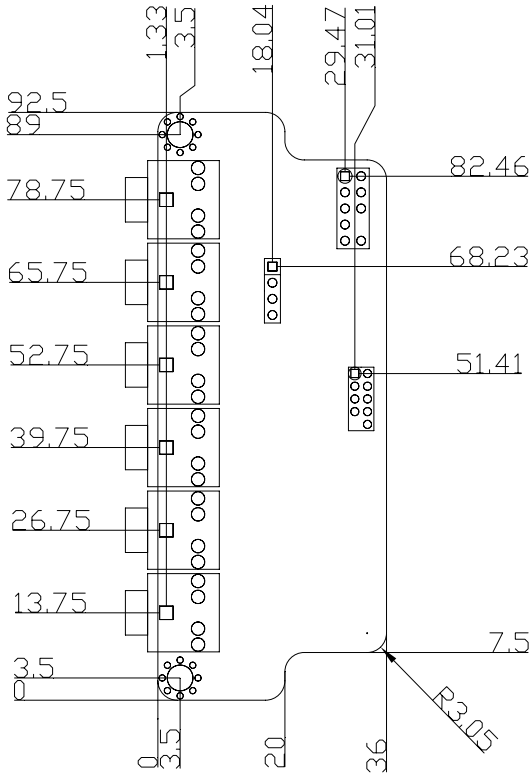
Caution!

Always ground yourself to remove any static charge before touching the board. Modern electronic devices are very sensitive to static electric charges. Use a grounding wrist strap at all times. Place all electronic components on a static-dissipative surface or in a static-shielded bag when they are not in the chassis

2.2 Locations of Connectors



2.3 Mechanical Drawing



2.4 List of Connectors

The board has a number of connectors that allow you to configure your system to suit your application. The table below shows the function of each board's connectors:

Label	Function
PJ1	MIC
PJ2	Line In
PJ3	Front
PJ4	Center
PJ5	SURR
PJ6	SIDESURR
J1	CD in
J2	FRONT HEADER
CN3	HDA in

2.5 CD-in (J1)

Pin	Signal
1	CD-L
2	CD-GND
3	X
4	CD-R

2.6 Front Header (J2)

Pin	Signal	Pin	Signal
1	MIC2-L	2	GND
3	MIC2-R	4	X
5	LINE2-R	6	MIC2-JD
7	GND	8	X
9	LINE2-L	10	LINE2-JD

2.7 HAD in (CN3)

Pin	Signal	Pin	Signal
1	Azalia-RESET	2	Azalia-SYNC
3	Azalia-SDIN	4	Azalia-SDOUT
5	GND	6	Azalia-BCLK
7	GND	8	+5V
9	X	10	+3.3V

Below Table for China RoHS Requirements

产品中有毒有害物质或元素名称及含量

AAEON Main Board/ Daughter Board/ Backplane

部件名称	有毒有害物质或元素					
	铅 (Pb)	汞 (Hg)	镉 (Cd)	六价铬 (Cr(VI))	多溴联苯 (PBB)	多溴二苯醚 (PBDE)
印刷电路板 及其电子组件	×	○	○	○	○	○
外部信号 连接器及线材	×	○	○	○	○	○
<p>O: 表示该有毒有害物质在该部件所有均质材料中的含量均在 SJ/T 11363-2006 标准规定的限量要求以下。</p> <p>X: 表示该有毒有害物质至少在该部件的某一均质材料中的含量超出 SJ/T 11363-2006 标准规定的限量要求。</p> <p>备注: 此产品所标示之环保使用期限, 系指在一般正常使用状况下。</p>						

Chapter

3

Driver Installation

3.1 Installation

The PER-U01H comes with a CD-ROM that contains all drivers your need.

In addition, you can activate the installation items through Autorun program which will install each driver directly. If your system do not support Autorun program or you cannot install drivers successfully, please read instructions below for further detailed installations.

Insert the PER-U01H CD-ROM into the CD-ROM Drive. And follow the instructions to install the driver.

1. Click on the **AAEON_PG258_Vista_XP_UAAV10a-5013** folder and then double click on the **Setup.exe**
2. Follow the instructions that the window shows
3. The system will help you install the driver automatically