

PER-U00A

AC97 Codec
Audio Daughter Board

PER-U00A Rev. A Manual 2nd Ed.
July 2005

Copyright Notice

This document is copyrighted, 2005. All rights are reserved. The original manufacturer reserves the right to make improvements to the products described in this manual at any time without notice.

No part of this manual may be reproduced, copied, translated, or transmitted in any form or by any means without the prior written permission of the original manufacturer. Information provided in this manual is intended to be accurate and reliable. However, the original manufacturer assumes no responsibility for its use, or for any infringements upon the rights of third parties that may result from its use.

The material in this document is for product information only and is subject to change without notice. While reasonable efforts have been made in the preparation of this document to assure its accuracy, AAEON assumes no liabilities resulting from errors or omissions in this document, or from the use of the information contained herein.

AAEON reserves the right to make changes in the product design without notice to its users.

Acknowledgments

All other products' name or trademarks are properties of their respective owners.

- Award is a trademark of Award Software International, Inc.
- CompactFlash™ is a trademark of the Compact Flash Association.
- Intel®, Pentium® M, and Celeron® M are trademarks of Intel® Corporation.
- Microsoft Windows® is a registered trademark of Microsoft Corp.
- ITE is a trademark of Integrated Technology Express, Inc.
- IBM, PC/AT, PS/2, and VGA are trademarks of International Business Machines Corporation.
- SoundBlaster is a trademark of Creative Labs, Inc.

All other product names or trademarks are properties of their respective owners.

Packing List

Before you begin installing your card, please make sure that the following materials have been shipped:

- 1 10Pin USB Cable (Only for model of PER-U00A)
- 1 10Pin Audio Cable (PIN 9 to stuff)
- 1 CD-ROM for Quick Installation Guide(in PDF format) and drivers

If any of these items should be missing or damaged, please contact your distributor or sales representative immediately.

Contents

Chapter 1 General Information

1.1 Introduction.....	1-2
1.2 Features	1-3
1.3 Specifications	1-4

Chapter 2 Quick Installation Guide

2.1 Safety Precautions	2-2
2.2 Mechanical Drawing	2-3
2.3 Mechanical Drawing showing connector locations ...	2-5
2.4 I/O Connector	2-8

Chapter 3 Driver Installation

3.1 Audio and USB Drive Installation	3-2
--	-----

Chapter

1

**General
Information**

1.1 Introduction

PER-U00A is an AC97 interface audio daughter board which can be used with AAEON full-size and half-size CPU cards to permit 5.1-channel audio function. The output bracket has 4 USB ports and 3 earphone connectors. The USB uses just 2 extension cables to the CPU card going from USB function header to type-A USB connectors. Earphone connectors can auto detect a speaker or MIC phone device. Surround quality sound effect can be achieved by using all audio connectors for front channel, rear channel and center subwoofer channel output.

1.2 Features

- Meets performance requirements for Audio on PC99/2001 system
- Meets Microsoft WHQL/WLP 2.0 Audio requirements
- 16-Bit Stereo full-duplex CODEC with 48Khz sampling rate
- Direct Sound 3D compatible
- Compliant with AC'97 2.3 specifications
- Supports 3 Phone Jack and CD-in
- Line-in share with surround output, MIC-in share with Center and Left output
- 4 USB Type-A Connector Support (For PER-U00A version)

1.3 Specifications

◆ System

- Chipset Realtek ALC655 AC97 CODEC
- Line-Out 50mW/20 Ω Amplifier built in
- Line-In Share with surround output,
50mW/20 Ω Amplifier built in
- MIC-In Share with Center and Left output,
Auto detect
- Universal Four USB 2.0 port, TYPE-A
- Serial Bus Connector for PER-U00A version
- Surround Surround output for
PER-U00A-A11 version
- Center Center output for
PER-U00A-A11 version
- Power Supply ATX12V, 5V Required
- Operating Temp. 0°C ~ 60°C

Chapter

2

Quick Installation Guide

Notice:

The Quick Installation Guide is derived from Chapter 2 of the user manual. For other chapters and further installation instructions, please refer to the user manual CD-ROM that came with the product.



2.1 Safety Precautions

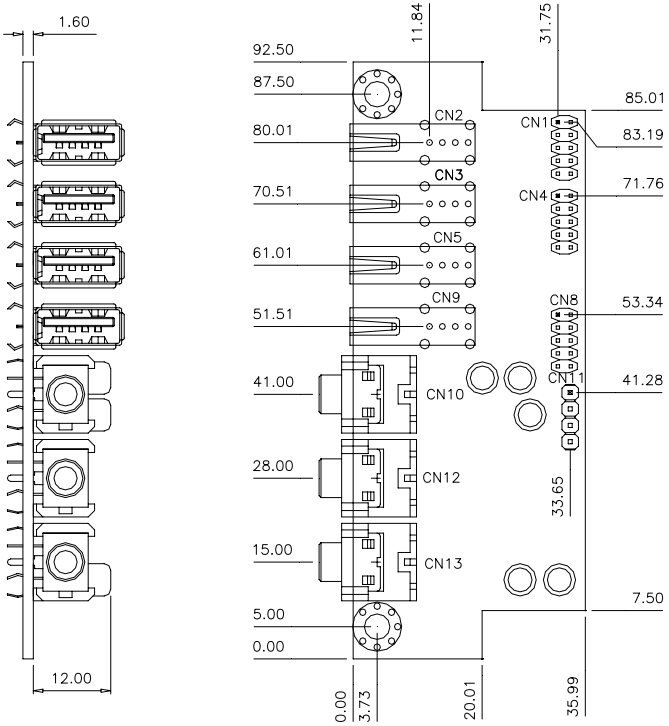
Warning!

Always completely disconnect the power cord from your board whenever you are working on it. Do not make connections while the power is on, because a sudden rush of power can damage sensitive electronic components.

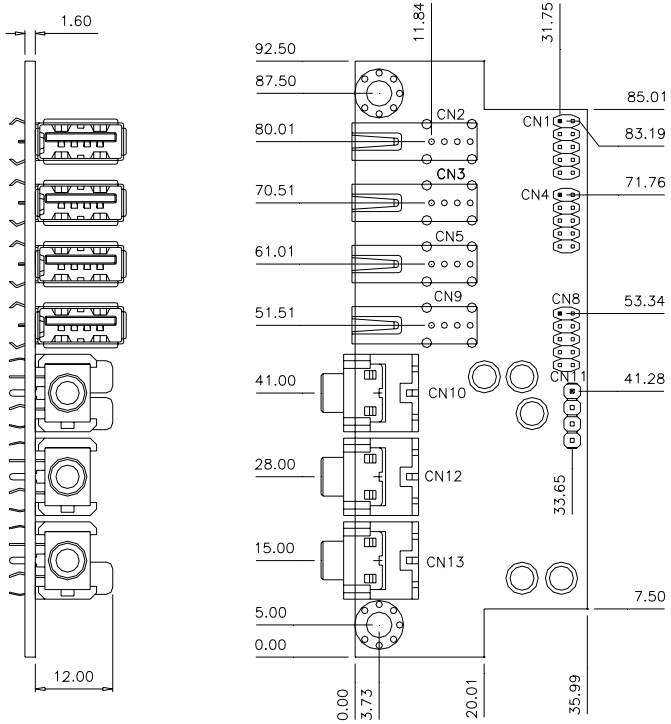
Caution!

Always ground yourself to remove any static charge before touching the board. Modern electronic devices are very sensitive to static electric charges. Use a grounding wrist strap at all times. Place all electronic components on a static-dissipative surface or in a static-shielded bag when they are not in the chassis

2.2 Mechanical Drawing

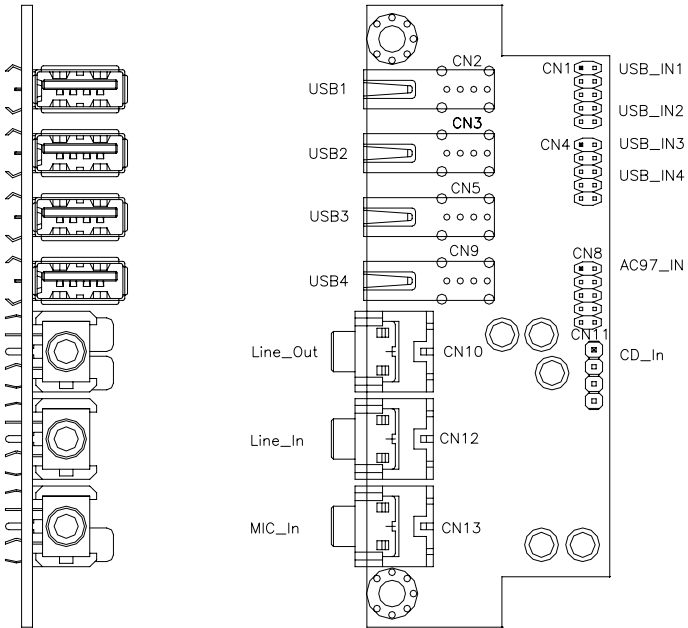


For the PER-U00A version

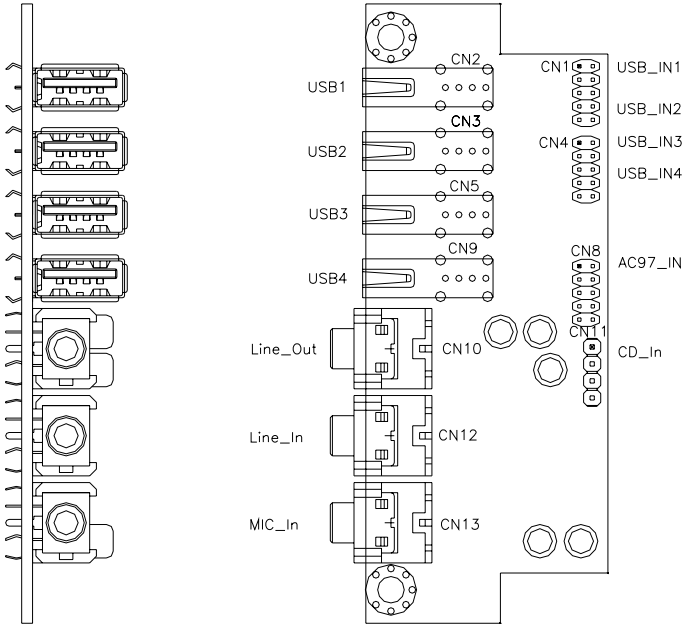


For the PER-U00A-A11 version

2.3 Mechanical Drawing showing connector locations

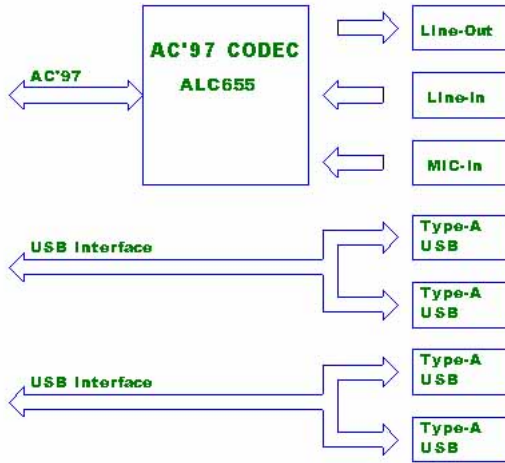


For the PER-U00A version

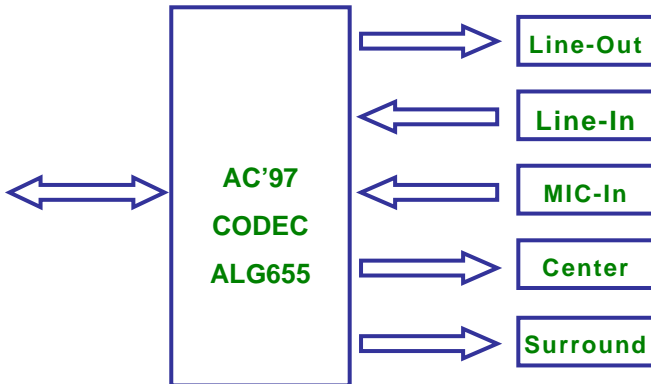


For the PER-U00A-A11 version

2.4 Block Diagram



For the PER-U00A version



For the PER-U00A-A11 version

2.5 I/O Connector

Onboard Bracket

Line-Out	One Earphone Jack 3.5mm (Green)
Line-In	One Earphone Jack 3.5mm (Blue)
MIC-In	One Earphone Jack 3.5mm (Pink)
USB	Four Type-A connectors for model of PER-U00A
Surround	One Earphone Jack 3.5mm for PER-U00A-A11 version
Center	One Earphone Jack 3.5mm for PER-U00A-A11 version

External Function

Connector	Description
USB	Two 5x2 Pin Header (2.0mm), 4 USB 2.0 for model of PER-U00A-A11
AC 97 Audio	One 5x2 Pin Header (2.0mm), Audio daughter board used
CD-In	One 4x1 Pin Header (2.54mm)

Chapter

3

Driver Installation

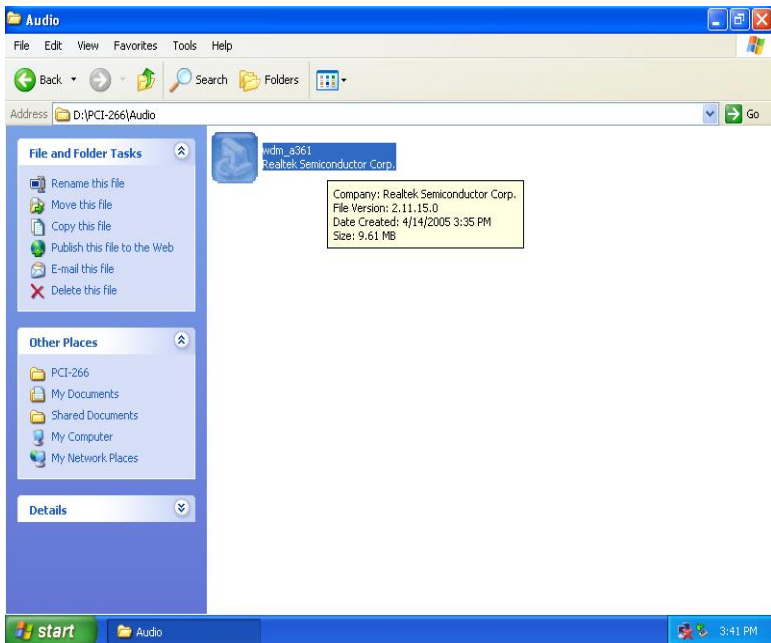
3.1 Audio and USB Drive Installation

If the Office System you use is Windows XP Professional and Service Pack 1, you don't have to install USB Drive. Please install the Audio drive by following steps:

Install Audio Drive

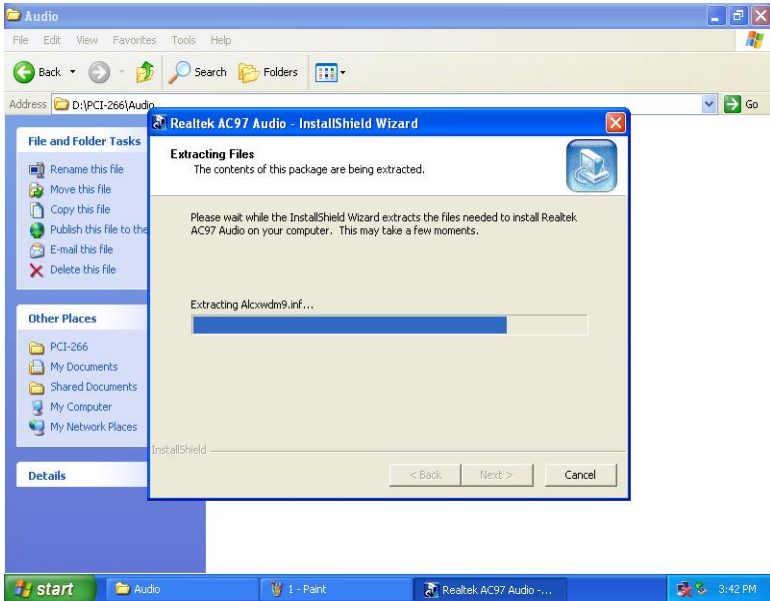
Step 1:

Choose the Audio Drive to install and click on the file of ***wdm_a361.exe***



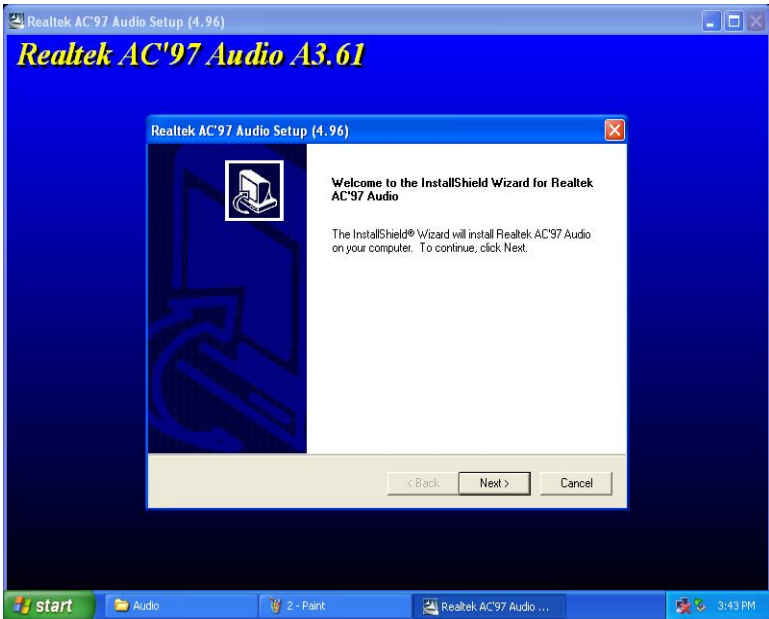
Step 2:

Click on ***wdm_a361.exe*** and extracting files (Please see the following screen)



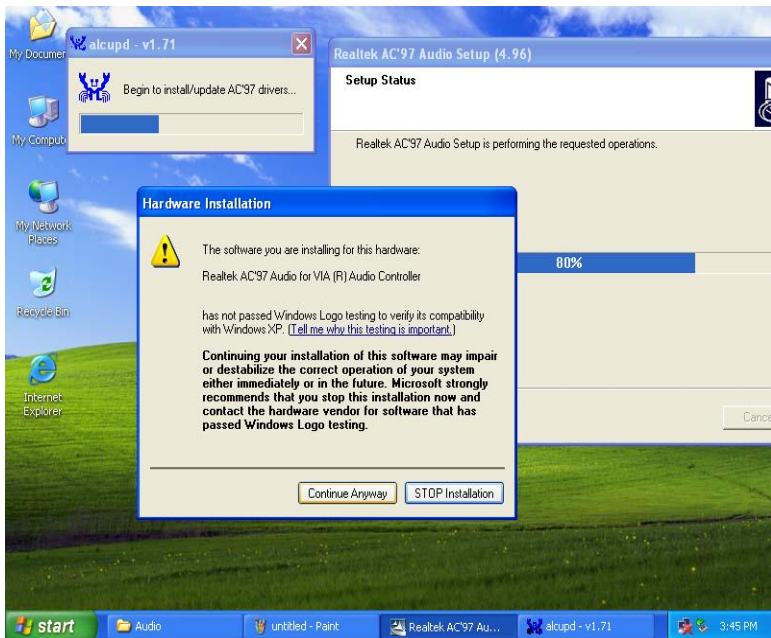
Step 3:

Follow the instructions that the window shows you. You will see the installation screen of **Realtek AC'97 Audio A3.61** (Please refer to the screen below)



Step 4:

During the installation, a message of hardware installation will pop out. That's because the **Realtek AC97 Audio** for VIA Audio Controller has not passed Windows Logo to verify its compatibility with Windows XP. The only way you have to do is clicking on "**Continue Anyway**" to continue the installation. (Please see the screen below.)



Step 5:

After the step 4, you will see the screen below to inform you a successful installation. And then choose **Yes** and click on **Finish** to restart your computer.

