

Notice

This guide is designed for experienced users to setup the system in the shortest time.

Safety Precautions

Warning!



Always completely disconnect the power cord from your board whenever you are working on it. Do not make connections while the power is on, because a sudden rush of power can damage sensitive electronic components.

Caution!



Always ground yourself to remove any static charge before touching the board. Modern electronic devices are very sensitive to static electric charges. Use a grounding wrist strap at all times. Place all electronic components on a static-dissipative surface or in a static-shielded bag when they are not in the chassis

A Message to the Customer

First of all, thank you for purchasing PER-C38L Mini PCIe GPU Module. This Quick Installation Guide will help you in the process of the installation of this product. You will find these instructions in this Installation Guide. You may also visit the AAEON website at www.aaeon.com for the latest version of the instructions to do this.

AAEON Customer Satisfaction

All products in AAEON are designed following the strictest specifications to ensure that our products will perform reliably in typical industrial environments. Whether your purchase from AAEON is made for the purpose of being in a laboratory or in a factory facility, you can be assured that every purchase in AAEON will provide reliability and stability of operation. Your satisfaction is our primary concern. To ensure you get the full benefits of our services, please follow the instructions in the next section.

Product Warranty

AAEON Customer Services

All products in AAEON are designed as the strictest specifications to ensure that the products will own the reliable performance in the typical industrial environments. Whether your purchase from AAEON is made to the purpose of the laboratory or the factory facility, you can be assured that every purchase in AAEON will provide the reliability and stability of operation.

Your satisfaction is our primary concern. Here is a guide for AAEON's customer services. Ensure you get the full benefits of our services, please follow the instructions below step by step.

Technical Support

We require that you receive the maximum performance and satisfaction from your products. If you run into technical difficulties, we'll always be here for you. For the most frequently asked questions, you can easily find solutions in your product documentation as well as on our FAQ page under Support and Service on our website. We strongly suggest that you review these resources before asking for customer service over the phone. If you still cannot find the answer, gather all questions you can think of and have the product on hand before giving a call to your dealer. All

dealers of AAEON are well-trained and ready to provide you as much support as you need to get the most from your product. Based on the customer service we've encountered until now, most of problems are minor and able to be easily solved over the phone. In addition, technical support is available from AAEON engineers over e-mail. Please contact your AAEON dealer or visit our website www.aaeon.com to get the e-mail address you can use to ask for technical help. We are always pleased to give advice regarding installation and operation of AAEON products.

Ordering Information

- PER-C38L-A10
PCI-Express Ethernet Module

Packing List

- PER-C38L PCI-Express Ethernet Module
- Utility CD for QIG (in PDF format) and Driver

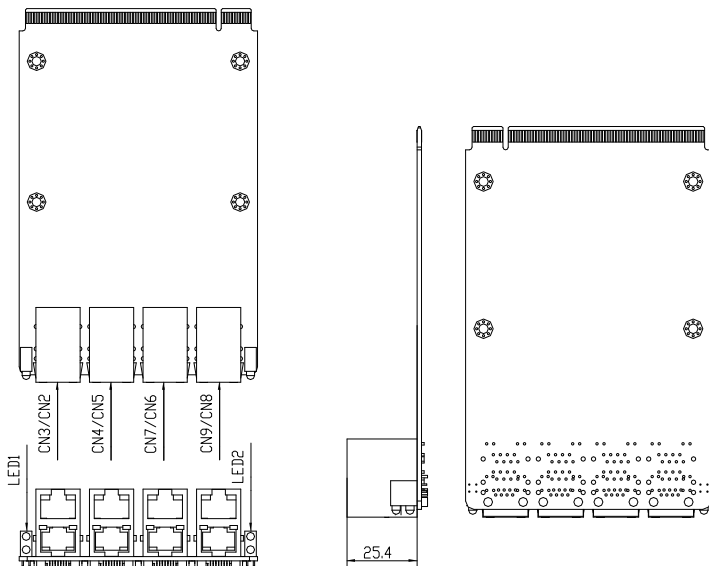
Content

A Message to the Customer.....	2
AAEON Customer Satisfaction	2
Product Warranty.....	3
Ordering Information.....	5
Packing List.....	5
1.1 Specification.....	7
1.2 Location of Connectors.....	8
1.3 Mechanical Drawing.....	9
1.4 List of Connectors.....	10
1.5 Driver Installation.....	10

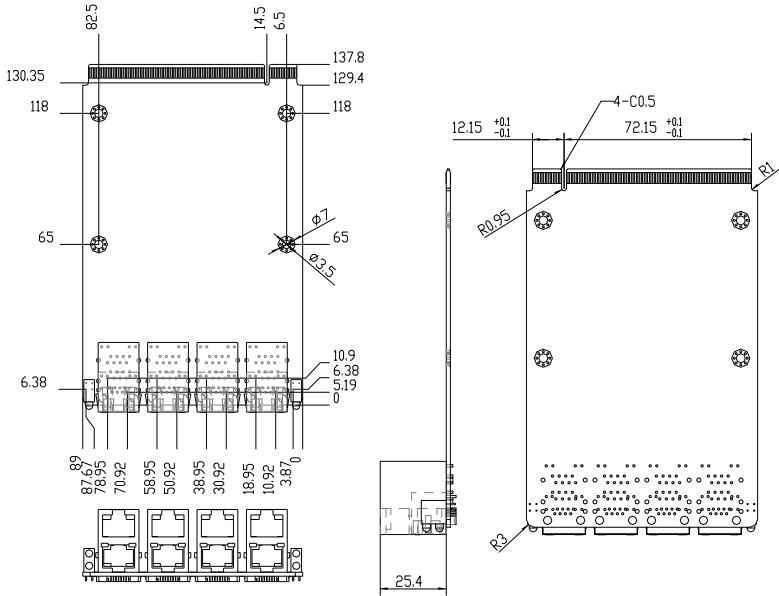
1.1 Specifications

- Form Factor PCI-Express
- Chipset INTEL® i350-AM4 Ethernet Controller
- Host Interface PCI-Express [x8]
- LAN Port RJ-45 GbE Connector x 8
- Indicator LED for Active/Link x 8
- Operating Temperature 32°F~104°F (0°C~40°C)
- Dimensions (L x W) 5.43" x 3.5" (137.8mm x 89mm)

1.2 Location of Connectors



1.3 Mechanical Drawing

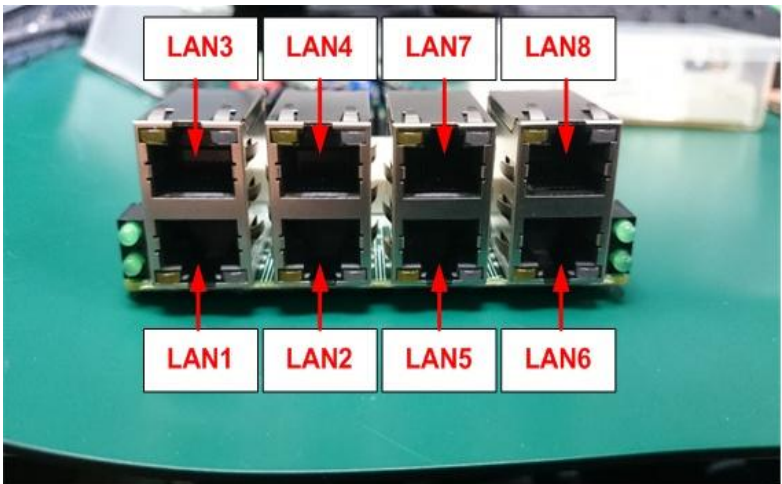


1.4 List of Connectors

The board has a number of jumpers that allow you to configure your system to suit your application.

The table below shows the function of each of the board's jumpers:

Label	Function
CN2	LAN1(Down)/LAN3(Up) Ethernet Controller
CN5	LAN2(Down)/LAN4(Up) Ethernet Controller
CN6	LAN5(Down)/LAN7(Up) Ethernet Controller
CN8	LAN6(Down)/LAN8(Up) Ethernet Controller



1.5 Driver Installation

Step 1: Click on the OS folder your system is and double click on the **.exe** located in each OS folder

Step 2: Follow the instructions that the window shows

Step 3: The system will help you install the driver automatically

Below Table for China RoHS Requirements

产品中有毒有害物质或元素名称及含量

AAEON Main Board/ Daughter Board/ Backplane

部件名称	有毒有害物质或元素					
	铅 (Pb)	汞 (Hg)	镉 (Cd)	六价铬 (Cr(VI))	多溴联苯 (PBB)	多溴二苯醚 (PBDE)
印刷电路板 及其电子组件	×	○	○	○	○	○
外部信号 连接器及线材	×	○	○	○	○	○
<p>O: 表示该有毒有害物质在该部件所有均质材料中的含量均在 SJ/T 11363-2006 标准规定的限量要求以下。</p> <p>X: 表示该有毒有害物质至少在该部件的某一均质材料中的含量超出 SJ/T 11363-2006 标准规定的限量要求。</p> <p>备注: 此产品所标示之环保使用期限, 系指在一般正常使用状况下。</p>						