

PER-C35L

Intel® 82599
SFP/SFP + Fiber LAN Compatible
PCI-Express 10 Gigabit Ethernet
Acceleration Module

Copyright Notice

This document is copyrighted, 2010. All rights are reserved. The original manufacturer reserves the right to make improvements to the products described in this manual at any time without notice.

No part of this manual may be reproduced, copied, translated, or transmitted in any form or by any means without the prior written permission of the original manufacturer. Information provided in this manual is intended to be accurate and reliable. However, the original manufacturer assumes no responsibility for its use, or for any infringements upon the rights of third parties that may result from its use.

The material in this document is for product information only and is subject to change without notice. While reasonable efforts have been made in the preparation of this document to assure its accuracy, AAEON assumes no liabilities resulting from errors or omissions in this document, or from the use of the information contained herein.

AAEON reserves the right to make changes in the product design without notice to its users.

Packing List

Before you begin installing your card, please make sure that the following materials have been shipped:

- 1 PER-C35L Ethernet Module
- 1 CD-ROM for manual (in PDF format) and drivers

If any of these items should be missing or damaged, please contact your distributor or sales representative immediately.

Contents

Chapter 1 General Information

1.1 Features	1-2
1.2 Specifications	1-2

Chapter 2 Quick Installation Guide

2.1 Safety Precautions	2-2
2.2 Location of Connectors and Jumpers	2-3
2.3 Mechanical Drawing	2-4
2.4 LAN Module Installation	2-5

Chapter 3 Driver Installation

3.1 Installation	3-2
------------------------	-----

Chapter

1

**General
Information**

1.1 Features

- PCI-Express Host Interfaces
- 10Gigabit Ethernet SFP+ Fiber LAN x 2

1.2 Specifications

- Form Factor: LAN module
- Chipset Intel 82599 PCI-Express
10Gigabit Ethernet controller
- Expansion Interface SFP/SFP+ Fiber LAN
compatible
- PCI-Express From host PCI-Express
connector
- Serial Port Formal certification CE/FCC
Class A
- Power Requirement From PCI-Express connector
- Operating Temperature 32°F~104°F (0°C~40°C)
- EMC CE/FCC Class A

Chapter

2

**Quick
Installation
Guide**

2.1 Safety Precautions

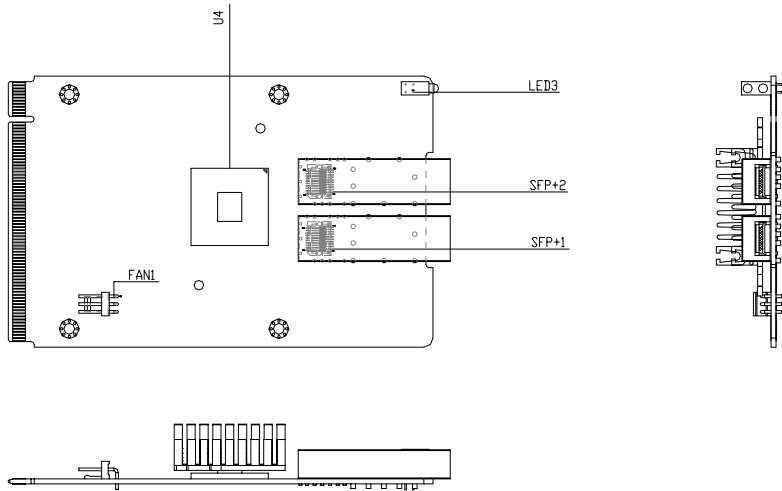
Warning!

Always completely disconnect the power cord from your board whenever you are working on it. Do not make connections while the power is on, because a sudden rush of power can damage sensitive electronic components.

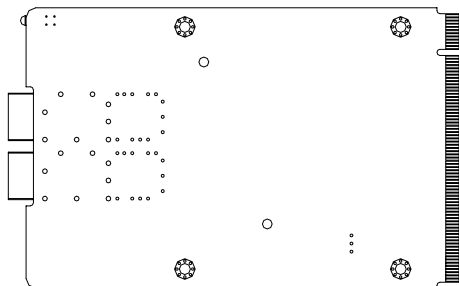
Caution!

Always ground yourself to remove any static charge before touching the board. Modern electronic devices are very sensitive to static electric charges. Use a grounding wrist strap at all times. Place all electronic components on a static-dissipative surface or in a static-shielded bag when they are not in the chassis

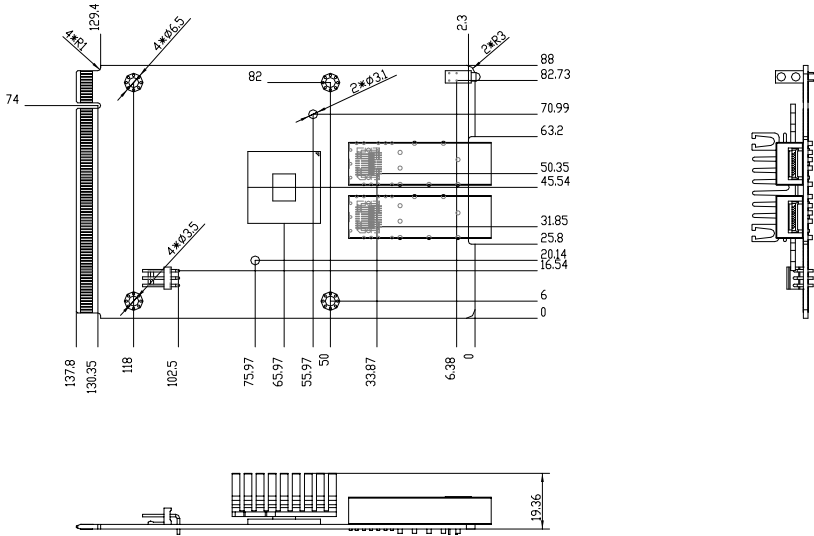
2.2 Location of Connectors and Jumpers



Solder Side

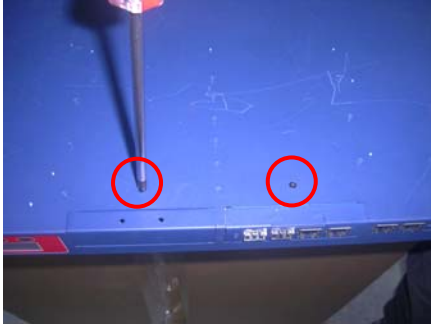


2.3 Mechanical Drawing



2.4 LAN Module Installation

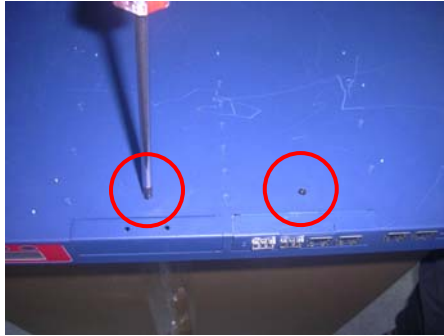
Step 1: Loosen the screws on the bottom of chassis



Step 2: Remove the null Module cover or existing LAN module



Step 3: Insert the LAN Module and fasten the screws



Below Table for China RoHS Requirements

产品中有毒有害物质或元素名称及含量

AAEON Main Board/ Daughter Board/ Backplane

部件名称	有毒有害物质或元素					
	铅 (Pb)	汞 (Hg)	镉 (Cd)	六价铬 (Cr(VI))	多溴联苯 (PBB)	多溴二苯醚 (PBDE)
印刷电路板 及其电子组件	×	○	○	○	○	○
外部信号 连接器及线材	×	○	○	○	○	○
<p>O: 表示该有毒有害物质在该部件所有均质材料中的含量均在 SJ/T 11363-2006 标准规定的限量要求以下。</p> <p>X: 表示该有毒有害物质至少在该部件的某一均质材料中的含量超出 SJ/T 11363-2006 标准规定的限量要求。</p> <p>备注: 此产品所标示之环保使用期限, 系指在一般正常使用状况下。</p>						

Chapter

3

**Driver
Installation**

3.1 Installation:

Insert the PER-C35L CD-ROM into the CD-ROM Drive. And follow the instructions to install the driver. You can activate the installation items through Autorun program, which will install each driver directly.

1. Select the OS your server is and double click on the **.exe** file locates in each OS folder
2. Follow the instructions that the window shows
3. The system will help you install the driver automatically

If your system do not support Autorun program or you cannot install drivers successfully, please read instructions below for further detailed installations.

1. Go to **My Computer** and click on the right of mouse, select **Properties**
2. Select **Hardware**
3. Enter **Device Management**
4. Select your LAN card and click on the right of mouse
5. Select **Update your driver** and follow the instructions that the window show
6. Select to **install from CD-ROM**
7. Click on the **PER-C35L (depends on the chip your card supports)** folder
8. Choose the OS your system is
9. The system will help you install the driver automatically
10. Please re-start your computer