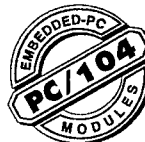


PCM-3610

PC/104 Isolated Dual-port

RS-232 and RS-485/422 Module



PCM-3610 PC/104 RS-232/422/485

Introduction

The PCM-3610 is a PC/104-compatible RS-422/485/232 serial interface module. It works with PC/104 CPU modules or CPU cards which accept PC/104 expansion modules. It provides two independent serial interfaces, accessed through two male DB-9 connectors. You can configure the first port for RS-422, RS-485 or RS-232 operation. The second port offers only RS-422 or RS-485 capability.

The module's industry-standard 16C550 asynchronous communication chip is fully programmable. The module requires no special commands or control codes if you use the standard COM1 and COM2 port addresses.

The module's RS-485 function uses an automatic direction control circuit, so you don't to change any jumpers to switch the module between driver and receiver.

Optical isolation protects your system from ground loops and increases reliability in industrial environments. An additional surge protection circuit protects other devices on the RS-485 network.

Features

- Two isolated serial interfaces
Channel 1: RS-422, 485 and 232
Channel 2: RS-422 and RS-485
- Long distance communication—up to 4000 feet (1.2 Km) with RS-422/485
- High speed data transmission—up to 115,200 Bps.
- Switch selectable addresses (COM1, COM2 or any other address from hex 200 to 3F8)
- 16 bytes FIFOs
- Jumper selectable interrupt level
- Four LEDs indicate status of TX, RX lines (red LED represents TX, green LED represents RX)

RS-422/485

- Supports TX, RX, RTS and CTS signals
- 2-wire or 4-wire operation
- Auto direction control for RS-485
- Overcurrent and surge protection for TX and RX lines

RS-232 (Ch. 1 only)

- Supports TX, RX, RTS, CTS, DTR, DSR, DCD and RI signals

Specifications

- **Dimensions:** 3.775" x 3.550" (9.6 cm x 9.0 cm)
- **Bus:** PC/104
- **Baud rate:** 50 to 115,200 bps
- **Character length:** 5, 6, 7 or 8 bits
- **Parity:** Even, odd or none
- **Stop bit:** 1, 1.5 (5-bit data only) or 2
- **I/O connectors:** Dual male DB-9
- **Interrupt level:** IRQ 3, 4, 5, 6, 7 or 9
- **Clock input:** 1.8432 MHz
- **Isolation**
Power: 500 V_{DC}
Signal: 2500 V_{RMS}
- **Optical Isolators:** PC 900 on each signal line
- **Driver/receiver**
Device: LTC485
Differential input threshold: 0.2 V max.
Hysteresis: 50 mA typical
Input impedance: > 12 Kohm without terminators
- **Power consumption (+5 V):** 400 mA typical, 950 mA maximum

Initial inspection

We carefully inspected the PCM-3610 both mechanically and electrically before we shipped it. It should be free of marks and scratches and in perfect electrical order on receipt.

Handle the board only by its edges. The static charge on your body may damage its integrated circuits. Keep the card in its anti-static package whenever it is not installed. You can use this package to return the card if it should need repair.

RS-232/422/485 selection (JP4, 5, 10)

Channel 1

- RS-232 JP10 up to 232
- RS-422 JP10 down to 485/422
JP4 right to RS-422
- RS-485 JP10 down to 485/422
JP4 left to RS-485

Note: You must connect channel 1's external signal cable to JP7 for RS-232 or JP8 for RS-422/485.

Channel 2

- RS-422 JP5 right to RS-422
- RS-485 JP5 left to RS-485

Switches and jumpers

The following chart shows the switches and jumpers corresponding to each serial interface channel:

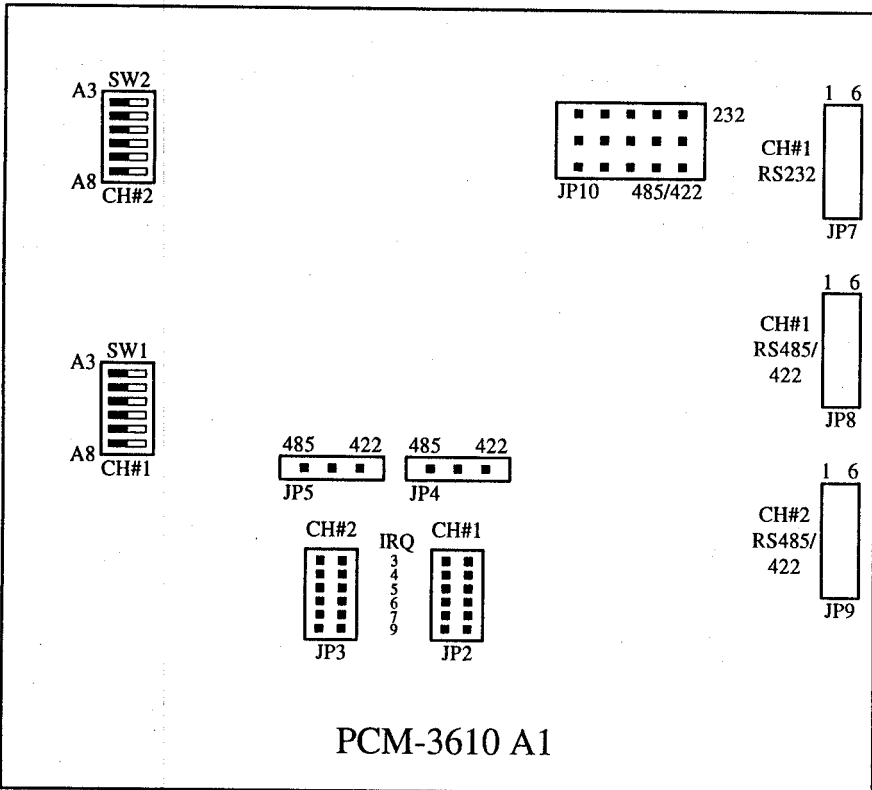
Ch. 1	Ch. 2	Function
SW1	SW2	I/O base address
JP2	JP3	Interrupt level
JP4	JP5	RS-485 or RS-422
JP10	N/A	RS-232 or RS-485/422

Base address (SW1 and SW2)

Two 6-position DIP switches select the I/O port base address for each channel. SW1 controls Ch. 1, and SW2 controls Ch. 2. See the figure below for switch locations.

You can set the base address anywhere from hex 200 to 3F8. The default settings are 3F8 (COM1) for Channel 1 and 2F8 (COM2) for Channel 2. The following table shows switch settings for various base addresses:

Switch locations appear in the figure below.



Module I/O addresses (SW1 and SW2)

Range (hex)	Switch position					
	1	2	3	4	5	6
200 - 207	○	○	○	○	○	○
208 - 20F	●	○	○	○	○	○
⋮						
2E8 - 2EF	●	○	●	●	●	○
* 2F8 - 2FF (COM2)	●	●	●	●	●	○
3E8 - 3EF	●	○	●	●	●	●
* 3F8 - 3FF (COM1)	●	●	●	●	●	●

○ = On ● = Off * = defaults

NOTE: Switches 1-6 control the PC bus address lines as follows:

Switch	1	2	3	4	5	6
Line	A3	A4	A5	A6	A7	A8

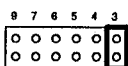
Interrupt level-IRQ (JP2 and JP3)

You can set each port for any interrupt level from 3 to 9, except 8. Jumper JP2 controls Ch. 1, and JP3 controls Ch. 2. Simply short the pins on the jumper corresponding to the interrupt level (see figure below).

JP2 (Ch 1, COM1) IRQ



JP3 (Ch 2, COM2) IRQ



If you use the ports as standard COM1 and COM2, you will need to set Channel 1 to IRQ 4 and Channel 2 to IRQ 3.

Note: If your CPU module or card has serial interface ports, you will need to adjust the I/O port addresses (or disable the ports) to avoid conflicts.

Connector pin assignments

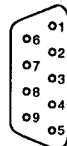
You access the PCM-3610's ports through two external male DB-9 connectors. Ground pins are not connected to the DB-9 connector housing for the sake of isolation. With channel 1 you must attach the external cable to the proper proper connector (JP7 or JP8) depending on whether you are using RS-232 or RS-485. See page 2 for details.

RS-422/485 pin assignments appear below:

RS-485
RS-422

Pin description

1	TX-(DATA-) or send data - (DTE)
2	TX+(DATA+) or send data + (DTE)
3	RX+ or receive data + (DTE)
4	RX- or receive data - (DTE)
5	GROUND
6	RTS- or ready to send -
7	RTS+ or ready to send +
8	CTS+ or clear to send +
9	CTS- or clear to send -

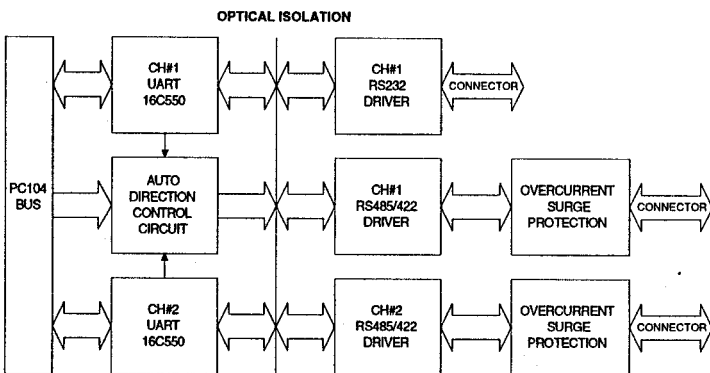
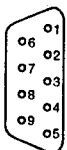


RS-232 pin assignments appear below:

RS-232

Pin description

1	DCD receive line signal detector
2	RD received data
3	TD transmitted data
4	DTR data terminal ready
5	GND ground
6	DSR data set ready
7	RTS request to send
8	CTS clear to send
9	Ri ring indicator



Block diagram

Hardware installation

Warning!

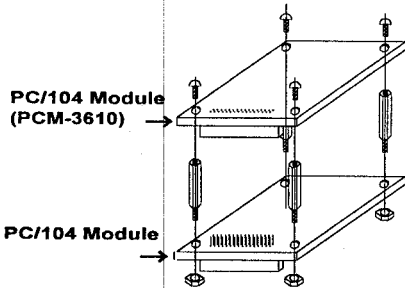
TURN OFF your PC power supply whenever you install or remove the PCM-3610 or connect and disconnect cables.

Installing the module on a CPU card

1. Turn the PC's power off. Turn the power off to any peripheral devices such as printers and monitors.
2. Disconnect the power cord and any other cables from the back of the computer.
3. Remove the system unit cover (see the user's guide for your chassis if necessary).
4. Remove the CPU card from the chassis (if necessary) to gain access to the card's PC/104 connector.
5. Screw the brass spacer (included with the module) into the threaded hole on the CPU card. Do not tighten too much, or the threads may be damaged.
6. Carefully align the pins of the PCM-3610 with the PC/104 connector. Slide the module into the connector. The module pins may not slide all the way into the connector; do not push too hard or the module may be damaged.
7. Secure the module to the CPU card to the threaded hole in the CPU card using the included screw.
8. Attach any accessories to the PCM-3610.
9. Reinstall the CPU card and replace the system unit cover. Reconnect the cables you removed in step 2. Turn the power on.

Connecting to another PC/104 module

1. Insert the pins of connector JP6 (on the end of the PCM-3610 module) into the piggyback connector on the other PC/104 module.



2. Screw the PCM-3610 to the brass spacer.

This completes the hardware installation. Install the software driver as described in the following section.

Signal wiring

RS-422 has separate transmit and receive lines so both devices can transmit at the same time. The transmit lines from one device connect to the receive lines on the other device. Typical connections are as follows:

Computer A	Computer B
1 TX-	4 RX-
2 TX+	3 RX+
3 RX+	2 TX+
4 RX-	1 TX-
5 GND	5 GND
6 RTS-	9 CTS-
7 RTS+	8 CTS+
8 CTS+	7 RTS+
9 CTS-	6 RTS-

In RS-485 the two devices share a single pair of data lines. One device transmits while the other receives. Typical connections are as follows:

Device A	Device B
1 TX- (DATA-)	1 TX- (DATA-)
2 TX+ (DATA+)	2 TX+ (DATA+)
5 GND	5 GND

Programming

Programming with COM1 or COM2

If you set the PCM-3610's ports as COM1 and COM2, you can send and receive data using the normal communication functions found in high-level languages. The following examples use BASIC to demonstrate PCM-3610 programming.

The BASIC communication process starts with the OPEN "COMn: , , ..." statement. This statement assigns a buffer for communication purposes and sets up the communication parameters.

Command format

```
OPEN "COMn: [speed][,parity][,data][,stop]
[,RS][,CS[n]][,DS[n]][,CD[n]][,LF][,PE]"
AS [#]filename
```

Example:

```
OPEN "COM1:9600,N,8,,CS,DS,CD" AS #1
```

Where:

COMn: n is 1 or 2, indicating either COM1 or COM2

speed: An integer constant specifying the baud rate in bits per second

Programming example—communication

The following pair of example programs show how you can set up communication between two computers. The first program sends data then receives data. The second program receives data then sends data. Run the first program on one computer and the second on another.

Program for first computer

```
10 ***** STEP 1: INITIALIZATION *****
20 'Clear screen
30 CLS
40 'Define variables A to Z as integer
50 DEFINIT A-Z
60 'Set port base address (must match hardware)
70 PORT = &H3F8
80 'Set baud rate to 300
90 OUT PORT + 3, &H80
100 OUT PORT, &H80
110 OUT PORT, 1
120 OUT PORT + 3, &H1F
130 ***** STEP 2: SEND DATA *****
150 FOR I = 65 TO 90
160 '
170 GOSUB 200
180 NEXT I
190 GOTO 260
200 STATUS = INP(PORT + 5) AND &H20
210 IF STATUS = 0 THEN 200
220 OUT PORT, I
230 FOR J = 0 TO 1200: NEXT J
240 RETURN
250 ***** STEP 3: RECEIVE DATA *****
260 FOR I = 65 TO 90: GOSUB 280: NEXT I
270 END
280 STATUS = INP(PORT + 5)
290 IF (STATUS AND &H1E) THEN 280
300 IF (STATUS AND &H1) = 0 THEN 280
310 D = INP(PORT)
320 PRINT "DATA= "; CHR$(D)
330 RETURN
```

Program for second computer

```
10 ***** STEP1: INITIALIZATION *****
20 'Clear screen
30 CLS
40 'Define variables A TO Z as integer
50 DEFINIT A-Z
60 'Set port base address (must match hardware)
70 PORT = &H2F8
80 'Set baud rate to 300
90 OUT PORT + 3, &H80
100 OUT PORT, &H80
110 OUT PORT, 1
120 OUT PORT + 3, &H1F
130 ***** STEP 2: RECEIVE DATA FROM ANOTHER PC *****
140 FOR I = 65 TO 90: GOSUB 190: NEXT I
150 PRINT: PRINT: PRINT
160 PRINT"DATA RECEIVES END, THEN DATA SEND BEGINNING."
170 PRINT: PRINT "PRESS ANY KEY..."
180 IF INKEY$ = "" THEN 180 ELSE 260
190 STATUS = INP(PORT + 5)
200 IF STATUS AND &H1E THEN GOTO 190
210 IF (STATUS AND &H1) = 0 THEN 190
220 d = INP(PORT)
230 PRINT "DATA= "; CHR$(d)
240 RETURN
250 ***** STEP 3: SEND DATA *****
260 FOR I = 65 TO 90
270 d = I
280 GOSUB 310
290 NEXT I
300 END
310 STATUS = INP(PORT + 5) AND &H20
320 IF STATUS = 0 THEN 310
330 OUT PORT, d
340 FOR J = 0 TO 1200: NEXT J
350 RETURN
```

C language test program

You can use the following C program to test the PCM-3610's send and receive functions.

```
/******
/* Program: DEMO01.C (For RS485/RS422) */
/* Description: This demo program transmits a string */
/* to COM1 and receives a string from COM2 */
/* Compiler: Turbo C 2.0 */
/*
/* RS-485 jumper and switch settings, signal wiring */
/* SW1 - 3F8 COM1: COM2: */
/* SW2 - 2F8 1 DATA- <---> 1 DATA- */
/* JP2 - IRQ4 2 DATA+ <---> 2 DATA+ */
/* JP3 - IRQ3 5 GND <---> 3 GND */
/* JP4 - 485 */
/* JP5 - 485 */
/* JP10 - 485/422 */
/*
/* RS-422 jumper and switch settings, signal wiring */
/* SW1 - 3F8 COM1: COM2: */
/* SW2 - 2F8 1 TX- <---> 4 RX- */
/* JP2 - IRQ4 2 TX+ <---> 3 RX+ */
/* JP3 - IRQ3 3 RX+ <---> 2 TX+ */
/* JP4 - 422 4 RX- <---> 1 TX- */
/* JP5 - 422 5 GND <---> 3 GND */
/* JP10 - 485/422 */
/******
#include <dos.h>
#include <i.o.h>
#include <stdio.h>
#include <conio.h>

#define TIME_OUT 10000

static int base0 = 0x3f8; /* Base address of port 0 */
static int base1 = 0x2f8; /* Base address of port 1 */
static char rec[16]; /* Buffer for received string */
static char cmd[16]; /* Buffer for transmitted string */

void main()
{
    int i; /* Counter for character being sent/received */
    char flag; /* Flag for end of output/input data */
    int timeout; /* Timeout counter */

    outport((base0+2), 0xc9); /* enable port 0 FIFO */
    outport((base1+2), 0xc9); /* enable port 1 FIFO */

    /* Set communication parameters for port 0 */
    outp(base0+3, 0x80); /* Set DLAB=1 */
    /* Set baud = 115200 */
    outp(base0, 0x01);
    /* Set data=8, stop=1, no parity */
    outp(base0+3, 0x03);
    /* Disable port 0 interrupt */
    outp(base0+1, 0x00);

    /* Set communication parameters for port 1 */
    outp(base1+3, 0x80); /* Set DLAB=1 */
    /* Set baud = 115200 */
    outp(base1, 0x01);
    /* Set data=8, stop=1, no parity */
    outp(base1+1, 0);
    outp(base1+3, 0x03);
    /* Disable port 1 interrupt */
    outp(base1+1, 0x00);
}
```

```

printf("\nEnter a string to be transmitted *
      *(15 characters or less) or Q to quit:");
gets(cmd);
while (cmd[0] != 'q' && cmd[0] != 'Q')
{
    i=0;
    cmd[strlen(cmd)] = 0x0d;
    flag=1;
    while (flag)
    {
        outportb(base0, cmd[i]); /* Send data */
        if (cmd[i] == 0x0d)
            flag=0;
        i++;
    }

    i=0;
    flag=1;
    timeout=TIME_OUT;
    while (flag)
    {
        /* Check if receiver data is ready */
        if ((inportb(base1+5) & 1) !=0)
        {
            rec[i]=inportb(base1); /* Receive data */
            if (rec[i] == 0x0d)
            {
                rec[i+1]='\0';
                flag=0;
                printf("\nReceived data: %s\n", rec);
            }
            i++;
        }
        else
        {
            /* Check timeout */
            timeout--;
            if (timeout == 0)
            {
                flag = 0;
                printf("\nTimeout error\n");
            }
        }
    }
}
printf("\nEnter a string to be transmitted *
      *(15 characters or less) or Q to quit:");
gets(cmd);
}

```

Register structure and format

This section gives short description of each of the module's registers. For more information please refer to the data book for the STARTECT 16C550 UART chip.

All registers are one byte. Bit 0 is the least significant bit, and bit 7 is the most significant bit. The address of each register is specified as an offset from the port base address (BASE), selected with DIP switch SW1 or SW2.

DLAB is the "Divisor Latch Access Bit", bit 7 of BASE+3.

- BASE+0 Receiver buffer register when DLAB=0 and the operation is a read.
- BASE+0 Transmitter holding register when DLAB=0 and the operation is a write.
- BASE+0 Divisor latch bits 0 - 7 when DLAB=1.
- BASE+1 Divisor latch bits 8 - 15 when DLAB=1.

The two bytes BASE+0 and BASE+1 together form a 16-bit number, the divisor, which determines the baud rate. Set the divisor as follows:

Baud rate	Divisor
50	2304
75	1536
110	1047
133.5	857
150	768
300	384
600	192
1200	96
1800	64
2000	58
2400	48
3600	32
4800	24
7200	16
9600	12
19200	6
38400	3
56000	2
115200	1

- BASE+1 Interrupt Status Register (ISR) when DLAB=0
 - bit 0 Enable received-data-available interrupt
 - bit 1 Enable transmitter-holding-register-empty interrupt
 - bit 2 Enable receiver-line-status interrupt
 - bit 3 Enable modem-status interrupt
- BASE+2 FIFO Control Register (FCR)
 - bit 0 Enable transmit and receive FIFOs
 - bit 1 Clear contents of receive FIFO
 - bit 2 Clear contents of transmit FIFO

Standard PC I/O port assignments

The following chart shows the I/O addresses used by standard PC peripheral devices.

bit 3 Change RXRDY and TXRDY from mode 0 to mode 1.

bits 6-7 Set trigger level for receiver FIFO interrupt.

Bit 7	Bit 6	FIFO trigger level
0	0	01
0	1	04
1	0	08
1	1	14

BASE+3

Line Control Register (LCR)

bit 0 Word length select bit 0

bit 1 Word length select bit 1

Bit 1	Bit 0	Word length (bits)
0	0	5
0	1	6
1	0	7
1	1	8

bit 2 Number of stop bits

bit 3 Parity enable

bit 4 Even parity select

bit 5 Stick parity

bit 6 Set break

bit 7 Divisor Latch Access Bit (DLAB)

BASE+4

Modem Control Register (MCR)

bit 0 DTR

bit 1 RTS

BASE+5

Line Status Register (LSR)

bit 0 Receiver data ready

bit 1 Overrun error

bit 2 Parity error

bit 3 Framing error

bit 4 Break interrupt

bit 5 Transmitter holding register empty

bit 6 Transmitter shift register empty

bit 7 At least one parity error, framing error or break indication in the FIFO

BASE+6

Modem Status Register (MSR)

bit 0 Delta CTS

bit 1 Delta DSR

bit 2 Trailing edge ring indicator

bit 3 Delta received line signal detect

bit 4 CTS

bit 5 DSR

bit 6 RI

bit 7 Received line signal detect

BASE+7

Temporary data register

I/O address (hex)	Assignment
000-1FF	used by base system board
200	not used
201	game control
202-277	not used
278-27F	second printer port
280-2F7	not used
2F8-2FF	COM2
300-377	not used
378-37F	printer port
380-3AF	not used
3B0-3BF	monochrome adapter and printer
3C0-3CF	not used
3D0-3DF	color and graphics adapters
3E0-3EF	not used
3F0-3F7	floppy diskette drive
3F8-3FF	COM1: