

# NIM-S26A

---

Network Interface Module

Quick Installation Guide 1<sup>st</sup> Ed

## Copyright Notice

---

This document is copyrighted, 2016. All rights are reserved. The original manufacturer reserves the right to make improvements to the products described in this manual at any time without notice.

No part of this manual may be reproduced, copied, translated, or transmitted in any form or by any means without the prior written permission of the original manufacturer. Information provided in this manual is intended to be accurate and reliable. However, the original manufacturer assumes no responsibility for its use, or for any infringements upon the rights of third parties that may result from its use.

The material in this document is for product information only and is subject to change without notice. While reasonable efforts have been made in the preparation of this document to assure its accuracy, AAEMON assumes no liabilities resulting from errors or omissions in this document, or from the use of the information contained herein.

AAEMON reserves the right to make changes in the product design without notice to its users.

## Acknowledgement

---

All other products' name or trademarks are properties of their respective owners.

- Microsoft Windows is a registered trademark of Microsoft Corp.
- Intel, Pentium, Celeron, and Xeon are registered trademarks of Intel Corporation
- Core, Atom are trademarks of Intel Corporation
- ITE is a trademark of Integrated Technology Express, Inc.
- IBM, PC/AT, PS/2, and VGA are trademarks of International Business Machines Corporation.

All other product names or trademarks are properties of their respective owners.

## Packing List

---

Before setting up your product, please make sure the following items have been shipped:

Item	Quantity
● NIM-S26A	1

If any of these items are missing or damaged, please contact your distributor or sales representative immediately.

## About this Document

---

This User's Manual contains all the essential information, such as detailed descriptions and explanations on the product's hardware and software features (if any), its specifications, dimensions, jumper/connector settings/definitions, and driver installation instructions (if any), to facilitate users in setting up their product.

Users may refer to the [AAEON.com](http://AAEON.com) for the latest version of this document.

## Safety Precautions

---

Please read the following safety instructions carefully. It is advised that you keep this manual for future references

1. All cautions and warnings on the device should be noted.
2. Make sure the power source matches the power rating of the device.
3. Position the power cord so that people cannot step on it. Do not place anything over the power cord.
4. Always completely disconnect the power before working on the system's hardware.
5. No connections should be made when the system is powered as a sudden rush of power may damage sensitive electronic components.
6. If the device is not to be used for a long time, disconnect it from the power supply to avoid damage by transient over-voltage.
7. Always disconnect this device from any AC supply before cleaning.
8. While cleaning, use a damp cloth instead of liquid or spray detergents.
9. Make sure the device is installed near a power outlet and is easily accessible.
10. Keep this device away from humidity.
11. Place the device on a solid surface during installation to prevent falls
12. Do not cover the openings on the device to ensure optimal heat dissipation.
13. Watch out for high temperatures when the system is running.
14. Do not touch the heat sink or heat spreader when the system is running
15. Never pour any liquid into the openings. This could cause fire or electric shock.
16. As most electronic components are sensitive to static electrical charge, be sure to ground yourself to prevent static charge when installing the internal components. Use a grounding wrist strap and contain all electronic components in any static-shielded containers.

17. If any of the following situations arises, please the contact our service personnel:
  - i. Damaged power cord or plug
  - ii. Liquid intrusion to the device
  - iii. Exposure to moisture
  - iv. Device is not working as expected or in a manner as described in this manual
  - v. The device is dropped or damaged
  - vi. Any obvious signs of damage displayed on the device
18. **DO NOT LEAVE THIS DEVICE IN AN UNCONTROLLED ENVIRONMENT WITH TEMPERATURES BEYOND THE DEVICE'S PERMITTED STORAGE TEMPERATURES (SEE CHAPTER 1) TO PREVENT DAMAGE.**

### **Warning!**



This device complies with Part 15 FCC Rules. Operation is subject to the following two conditions: (1) this device may not cause harmful interference, and (2) this device must accept any interference received including interference that may cause undesired operation.

### **Caution:**

*There is a danger of explosion if the battery is incorrectly replaced. Replace only with the same or equivalent type recommended by the manufacturer. Dispose of used batteries according to the manufacturer's instructions and your local government's recycling or disposal directives.*

### **Attention:**

*Il y a un risque d'explosion si la batterie est remplacée de façon incorrecte. Ne la remplacer qu'avec le même modèle ou équivalent recommandé par le constructeur. Recycler les batteries usées en accord avec les instructions du fabricant et les directives gouvernementales de recyclage.*



## China RoHS Requirements (CN)

产品中有毒有害物质或元素名称及含量

AAEON Main Board/ Daughter Board/ Backplane

部件名称	有毒有害物质或元素					
	铅 (Pb)	汞 (Hg)	镉 (Cd)	六价铬 (Cr(VI))	多溴联苯 (PBB)	多溴二苯醚 (PBDE)
印刷电路板 及其电子组件	○	○	○	○	○	○
外部信号 连接器及线材	○	○	○	○	○	○
<p>O: 表示该有毒有害物质在该部件所有均质材料中的含量均在 SJ/T 11363-2006 标准规定的限量要求以下。</p> <p>X: 表示该有毒有害物质至少在该部件的某一均质材料中的含量超出 SJ/T 11363-2006 标准规定的限量要求。</p> <p>备注: 此产品所标示之环保使用期限, 系指在一般正常使用状况下。</p>						

## China RoHS Requirement (EN)

Poisonous or Hazardous Substances or Elements in Products

AAEON Main Board/ Daughter Board/ Backplane

Component	Poisonous or Hazardous Substances or Elements					
	Lead (Pb)	Mercury (Hg)	Cadmium (Cd)	Hexavalent Chromium (Cr(VI))	Polybrominated Biphenyls (PBB)	Polybrominated Diphenyl Ethers (PBDE)
PCB & Other Components	○	○	○	○	○	○
Wires & Connectors for External Connections	○	○	○	○	○	○
<p>O: The quantity of poisonous or hazardous substances or elements found in each of the component's parts is below the SJ/T 11363-2006-stipulated requirement.</p> <p>X: The quantity of poisonous or hazardous substances or elements found in at least one of the component's parts is beyond the SJ/T 11363-2006-stipulated requirement.</p> <p><b>Note:</b> The Environment Friendly Use Period as labeled on this product is applicable under normal usage only</p>						

## Table of Contents

---

<b>Chapter 1 - Product Specifications</b> .....	<b>1</b>
1.1 Specifications .....	2
<b>Chapter 2 – Hardware Information</b> .....	<b>3</b>
2.1 Dimensions .....	4
2.2 Jumpers and Connectors.....	6
2.3 List of Connectors.....	8
2.3.1 SFP+ 10G 4-PORT Connector (CN4 - CN7) .....	9
NIM-S26A CN4 - CN7 LAN Port Array.....	9
2.3.1.1 Standard SPF Pin Definition .....	10
<b>Chapter 3 – Drivers Installation</b> .....	<b>11</b>
3.1 Driver Installation .....	12

# Chapter 1

---

Product Specifications

## 1.1 Specifications

---

### Main

- **Form Factor** 10G fiber module
- **Main Chipset** Intel® XL710 ethernet controller x 1
- **Host Interface** PCIe [x8]
- **LAN Port** SFP+ 10 GbE connector x 4
- **Bypass** -
- **Indicator** LED x 4 for Active/Link
- **Board Size** 145 x 77 mm (5.71 x 3.03")
- **Operating Temperature** 0 ~ 40°C (32 ~ 104°F)
- **Certification** CE/ FCC class A

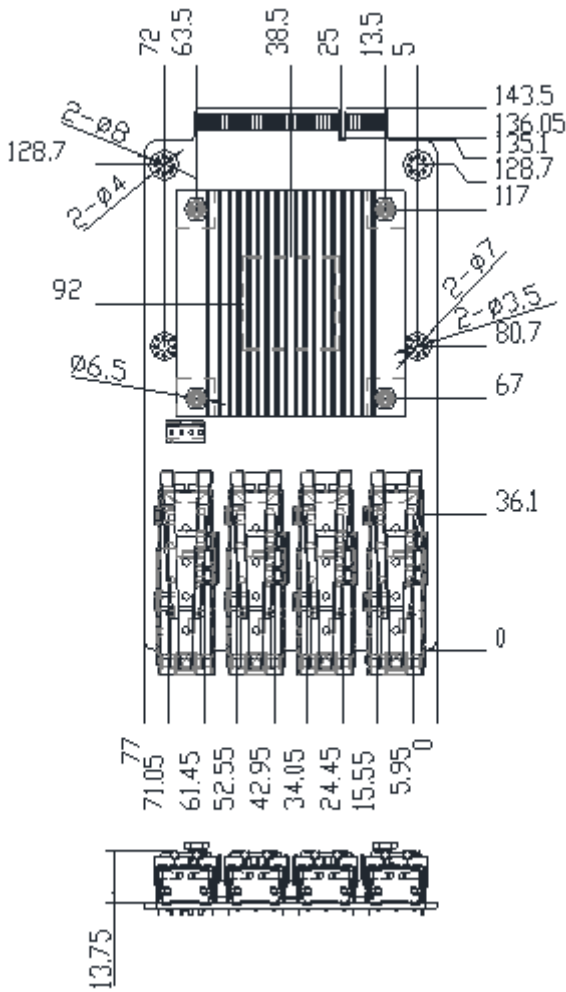
# Chapter 2

---

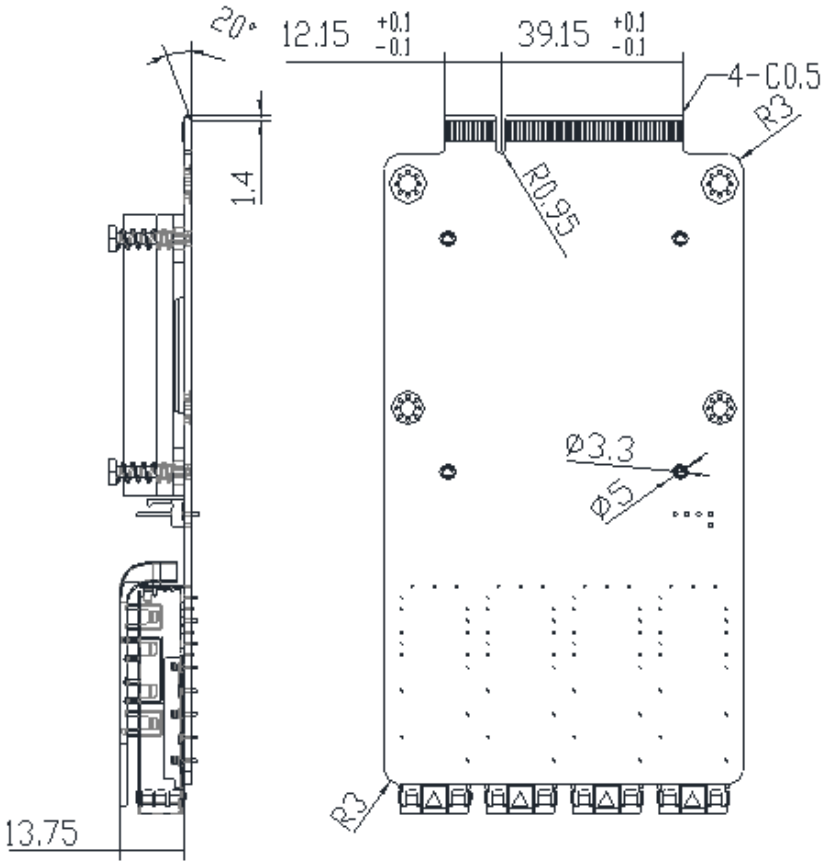
Hardware Information

## 2.1 Dimensions

### Component Side



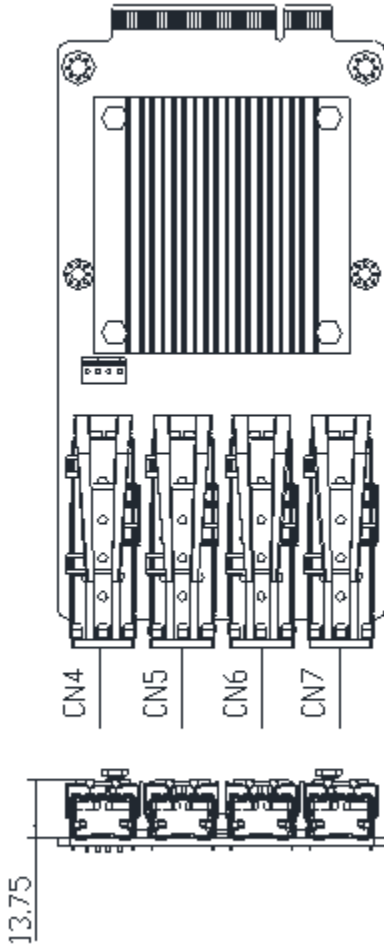
Solder Side



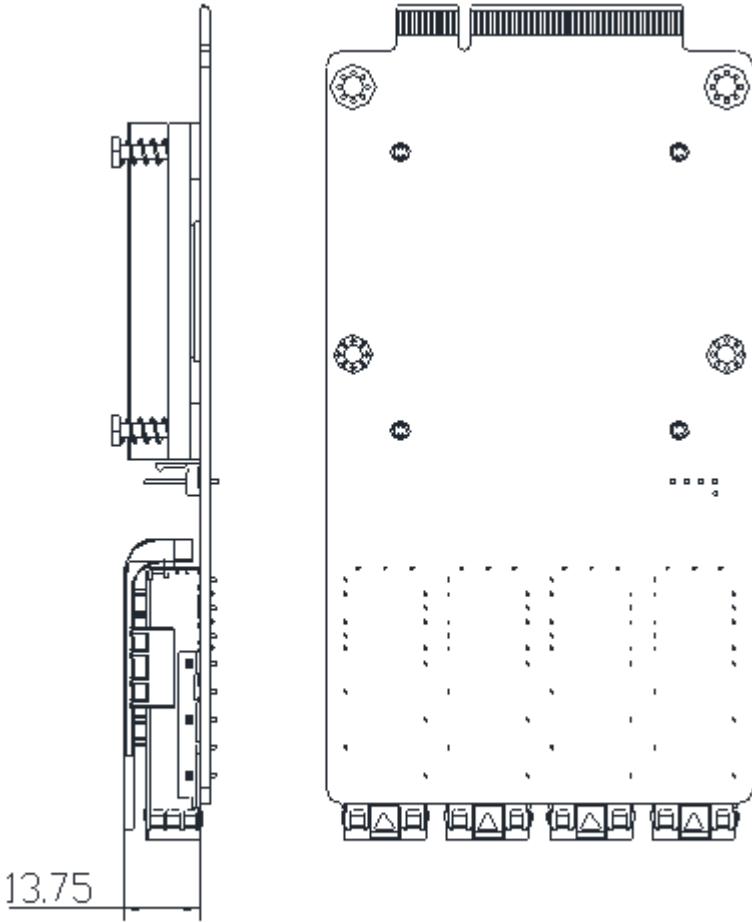


## 2.2 Jumpers and Connectors

### Component Side



Solder Side



## 2.3 List of Connectors

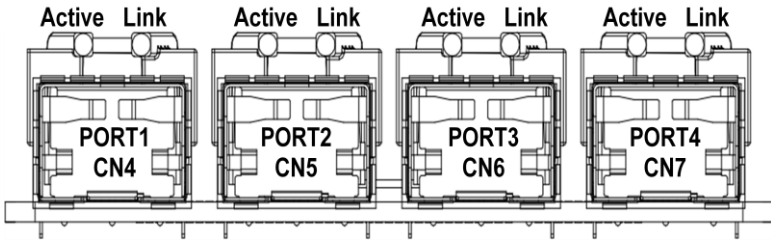
---

Please refer to the table below for all of the board's jumpers that you can configure for your application

Label	Function
CN4	SFP + Connector PORT1
CN5	SFP + Connector PORT2
CN6	SFP + Connector PORT3
CN7	SFP + Connector PORT4

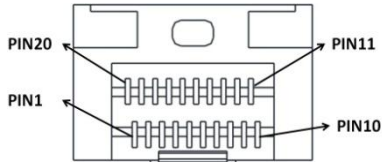
### 2.3.1 SFP+ 10G 4-PORT Connector (CN4 - CN7)

#### NIM-S26A CN4 - CN7 LAN Port Array



Port	Function
1	Standard SPF PIN Definition
2	Standard SPF PIN Definition
3	Standard SPF PIN Definition
4	Standard SPF PIN Definition

### 2.3.1.1 Standard SPF Pin Definition



Pin	Signal	Pin	Signal
1	VeeT	2	TX Fault
3	TX Disable	4	MOD-DEF2
5	MOD-DEF1	6	MOD-DEF0
7	Rate Select	8	LOS
9	VeeR	10	VeeR
11	VeeR	12	RD-
13	RD+	14	VeeR
15	VccR	16	VccT
17	VeeT	18	TD+
19	TD-	20	VeeT

# Chapter 3

---

Drivers Installation

## 3.1 Driver Installation

---

The drivers can be found in the product page for NIM-S26A at [aaeon.com](http://aaeon.com). Please follow the sequence below to install the drivers.

### Step 1 – Install Ethernet Controller Drivers

1. Select the folder of **Win7\_64**
2. Open the **Autorun.exe** file in the folder
3. Follow the instructions
4. Drivers will be installed automatically