

EMB-H81B

Industrial Motherboard

Copyright Notice

This document is copyrighted, 2015. All rights are reserved. The original manufacturer reserves the right to make improvements to the products described in this manual at any time without notice.

No part of this manual may be reproduced, copied, translated, or transmitted in any form or by any means without the prior written permission of the original manufacturer. Information provided in this manual is intended to be accurate and reliable. However, the original manufacturer assumes no responsibility for its use, or for any infringements upon the rights of third parties that may result from its use. The material in this document is for product information only and is subject to change without notice. While reasonable efforts have been made in the preparation of this document to assure its accuracy, the original manufacturer assumes no liabilities resulting from errors or omissions in this document, or from the use of the information contained herein.

The original manufacturer reserves the right to make changes in the product design without notice to its users.

Acknowledgments

All other products' name or trademarks are properties of their respective owners.

- AMI is a trademark of American Megatrends Inc.
- Intel®, Core™ are trademarks of Intel® Corporation.
- Microsoft Windows® is a registered trademark of Microsoft Corp.
- IBM, PC/AT, PS/2, and VGA are trademarks of International Business Machines Corporation.

The original manufacturer reserves the right to make changes in the product design without notice to its users.

All other product names or trademarks are properties of their respective owners.

Contents

Chapter 1: Product overview

1.1	Package contents.....	1-1
1.2	Features	1-1
1.3	Specifications.....	1-2

Chapter 2: Motherboard information

2.1	Before you proceed	2-1
2.2	Motherboard layout.....	2-2
2.3	Screw size.....	2-4
	2.3.1 Component side.....	2-4
	2.3.2 Solder side	2-5
2.4	Central Processing Unit (CPU)	2-6
	2.4.1 Installing the CPU	2-7
	2.4.2 CPU heatsink and fan assembly installation.....	2-9
2.5	System memory	2-11
	2.5.1 Installing a DIMM	2-12
2.6	Jumpers	2-13
2.7	Connectors	2-16
	2.7.1 Rear panel connectors.....	2-16
	2.7.2 Internal connectors	2-17
2.8	Power Supply Considerations	2-26

Chapter 3: BIOS setup

3.1	BIOS setup program	3-1
	3.1.1 BIOS menu screen.....	3-2
	3.1.2 Menu bar.....	3-2
3.2	Main menu	3-3
	3.2.1 System Date [Day MM/DD/YYYY]	3-3
	3.2.2 System Time [HH:MM:SS]	3-3
3.3	Advanced menu	3-4
	3.3.1 S5 RTC Wake Settings	3-4
	3.3.2 Dynamic Digital IO	3-4
	3.3.3 ACPI Settings.....	3-5
	3.3.4 Trusted Computing	3-5
	3.3.5 CPU Configuration	3-5

3.3.6	SATA Configuration	3-6
3.3.7	PCH-FW Configuration	3-6
3.3.8	AMT Configuration	3-6
3.3.9	USB Configuration	3-6
3.3.10	NCT6791D Super IO Configuration	3-7
3.3.11	NCT6791D HW Monitor	3-7
3.4	Chipset menu	3-8
3.4.1	System Agent (SA) Configuration	3-8
3.4.2	PCH-IO Configuration	3-10
3.5	Boot menu	3-11
3.5.1	Boot Configuration	3-11
3.6	Security menu	3-12
3.7	Save & Exit menu	3-14
 Appendix		
	Notices.....	A-1

Chapter 1

Product overview

1.1 Package contents

Check your industrial motherboard package for the following items.

- 1 x Industrial Motherboard
- 1 x SATA cable and SATA power cable
- 1 x I/O Shield
- 1 x Support CD



NOTE: If any of the above items is damaged or missing, contact your distributor or sales representative immediately.

1.2 Features

- Intel® Socket 1150 for 4th Generation Core™ i7/Core™ i5 / Core™ i3, Pentium® / Celeron™ Processors up to 65W
- Two 204-pin Dual Channel DDR3 1600/1333MHz SO-DIMMs up to 16GB
- SATA 6.0 Gb/s x 2, SATA 3.0 Gb/s x 1, USB3.0 x 2, USB2.0 x6, COM x 2
- PCI-Express 2.0 [x1] x 1, Full-size Mini Card x1, Half-size Mini Card x 1
- Multi Display: HDMI, DisplayPort, LVDS, VGA

1.3 Specifications

SYSTEM	
CPU	LGA1150 socket for Intel® 4 th Generation Core™ i7 / Core™ i5 / Core™ i3, Pentium® / Celeron® processors Supports Intel® CPU Max. 65W TDPs
Chipset	Intel® H81 Express Chipset
Memory	2 x SO-DIMM (8GB per DIMM), max. 16GB, non-ECC DDR3 1600 / 1333 MHz Dual-channel memory architecture
Graphics	Intel® HD Graphics
I/O Chipset	NCT6791D
Storage	Intel® H81 Express chipset supports 2 x SATA 6Gb/s, 1 x SATA 3Gb/s
Ethernet	2 x Realtek® 8111G PCIe Gigabit LAN
Audio	Realtek® ALC887 with Amp.
TPM	Infineon SLB9635 TT 1.2
Expansion slots	1 x PCI Express 2.0 [x1] slot 1 x Half size Mini Card (PCIe +USB) 1 x Full/Half size Mini Card (mSATA 3.0Gb/s)
BIOS	64Mbit Flash ROM, AMI BIOS
H/W Monitor	Temperature monitor on CPU/Chassis Voltage Monitor on Vcore/5V/12V Fan Monitor on CPU/Chassis
Watchdog Timer	1~255 steps by software program
Wake on LAN	Yes (WOL/PXE)
Smart Fan Control	CPU Fan/Chassis Fan
Power State	S3, S4, S5
GRAPHICS	
Graphics Chipset	Intel® HD Graphics
Graphics Multi-Display	VGA+HDMI, VGA+DP, VGA+LVDS, HDMI+DP, HDMI+LVDS, DP+LVDS
VGA	Up to 1920 x 1200 @ 60 Hz
HDMI	Up to 4096 x 2160 @24 Hz / 2560 x 1600 @60 Hz, with Digital Audio
DisplayPort	Up to 4096 x 2160 @24 Hz / 3840 x 2160 @60 Hz, with Digital Audio
LVDS	Up to 1920 x 1200 @60 Hz, Dual Channel 18/24 bit
Backlight Control	Voltage / PWM

(continued on the next page)

I/O	
Storage	2 x SATA 6Gb/s 1 x SATA 3Gb/s 1 x Full / Half size Mini Card (mSATA) 1 x Half size Mini Card (PCIe+USB)
USB	2 x USB 3.0 ports(Rear IO), 6 x USB 2.0 ports (2 ports at the back panel, 4 ports at mid board)
Display I/O	1 x LVDS, 1x HDMI, 1x DP, 1x VGA
Audio I/O	Mic-in, Line-out, AAFP at internal connector for 2 additional channel(default Line-out, Mic-in), speaker
LAN I/O	2 x RJ-45
Serial port	1 x RS-232 (mid board) 1 x RS-232/422/485 supports 5V/12V/RI option (mid board)
PS/2 port	1 x keyboard / Mouse with PS/2 for wafer header
DIO	8-bit Digital I/O interface (In/Out programmable)
FAN	1 x CPU Fan connector (4-pin) 1 x Chassis Fan connector (4-pin)
ENVIRONMENT, POWER, & ME	
Power requirement	12-24V wide-range voltage input back panel DC jack (5.5/2.5mm) 2 x 2 pin internal power connector 4-pin internal power connector
Power Compliance	Compliant with EuP / ErP
Operating Temperature	0~60°C
Operating Humidity	0% ~ 90%RH, non-condensing
Certificate	CE & FCC
Form Factor	20mm Thin Mini ITX Form Factor, 6.7"x 6.7" (170mmx170mm) Half-height (25.54mm) I/O shield
Weight	1.1 lb (0.5 Kg)
PLACEMENT	
Back I/O ports	1 x DC Jack 2 x USB 2.0 ports 1 x HDMI port 1 x DisplayPort 2 x LAN (RJ45) ports 2 x USB 3.0 ports 1 x Audio jack (Mic-In) pink connector 1 x Audio jack (Line-Out) green connector

(continued on the next page)

PLACEMENT	
Internal I/O connectors	2 x boxer header for COM (1 x RS-232, 1 x RS-232/422/485) 1 x VGA 1 x 6-pin (2x3) PS/2 Keyboard and mouse connector 1 x LVDS connector 1 x LVDS 3.3V /5V jumper 1 x LCD DC / PWM mode jumper 1 x LCD backlight connector (inverter) 1 x LCD backlight 12V /5V jumper 1 x Digital I/O box header 1 x 4 PIN (2x2) internal power connector 1 x 4 PIN CPU Fan connector 1 x 4 PIN Chassis Fan connector 1 x Front Panel connector 1 x AAFP 1 x Speaker for 2W/4Ω 1 x Chassis Intrusion follow ASUS pin out 1 x pin header for Buzzer 1 x CLTRC (Clear CMOS) jumper 1 x PCIe x1 slot 1 x Full / Half size Mini Card (mSATA) 1 x Half size Mini Card (PCIe+USB) 2 x SATA 6Gb/s 1 x SATA 3Gb/s 2 x USB 2.0 connectors support additional 4 USB ports (2.00 mm)
OTHERS	
OS Support	Windows 7 32 bit Windows 7 64 bit Windows 8 32 bit Windows 8 64 bit Linux Fedora
Accessories	1 x SATA cable 1 x SATA power cable I/O Shield Support DVD



NOTE: Specifications are subject to change without notice.

Chapter 2

Motherboard information

2.1 Before you proceed

Take note of the following precautions before you install motherboard components or change any motherboard settings.

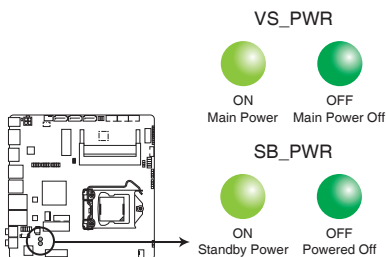


CAUTION!

- Unplug the power cord from the wall socket before touching any component.
- Before handling components, use a grounded wrist strap or touch a safely grounded object or a metal object, such as the power supply case, to avoid damaging them due to static electricity.
- Hold components by the edges to avoid touching the ICs on them.
- Whenever you uninstall any component, place it on a grounded antistatic pad or in the bag that came with the component.
- Before you install or remove any component, always remove the AC power by unplugging the power cord from the power outlet. Failure to do so may cause severe damage to the motherboard, peripherals, or components.

Standby Power LED

The motherboard comes with a standby power LED that lights up to indicate that the system is ON, in sleep mode, or in soft-off mode. This is a reminder that you should shut down the system and unplug the power cable before removing or plugging in any motherboard component. The illustration below shows the location of the onboard LED.



EMB-H81B Onboard LEDs

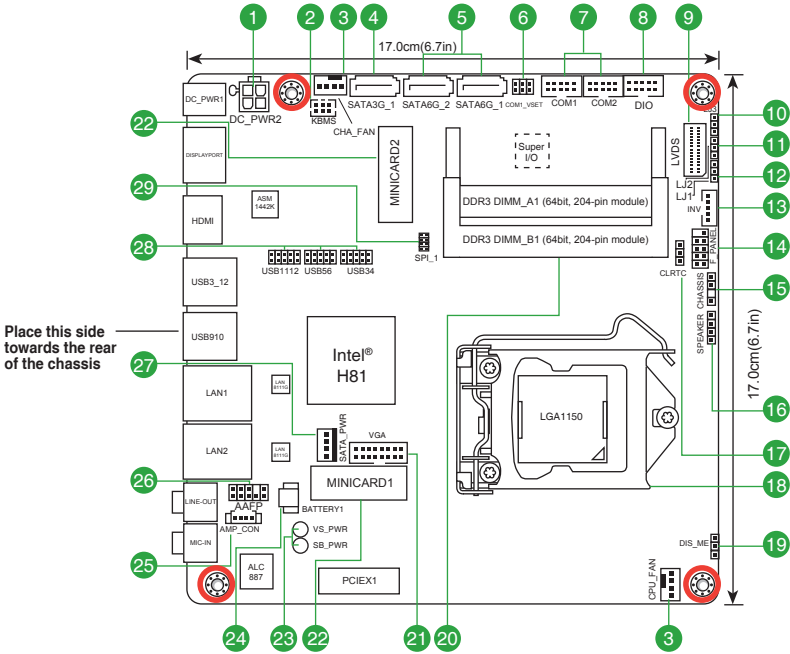
2.2 Motherboard layout



NOTE: Place four screws into the holes indicated by circles to secure the motherboard to the chassis.



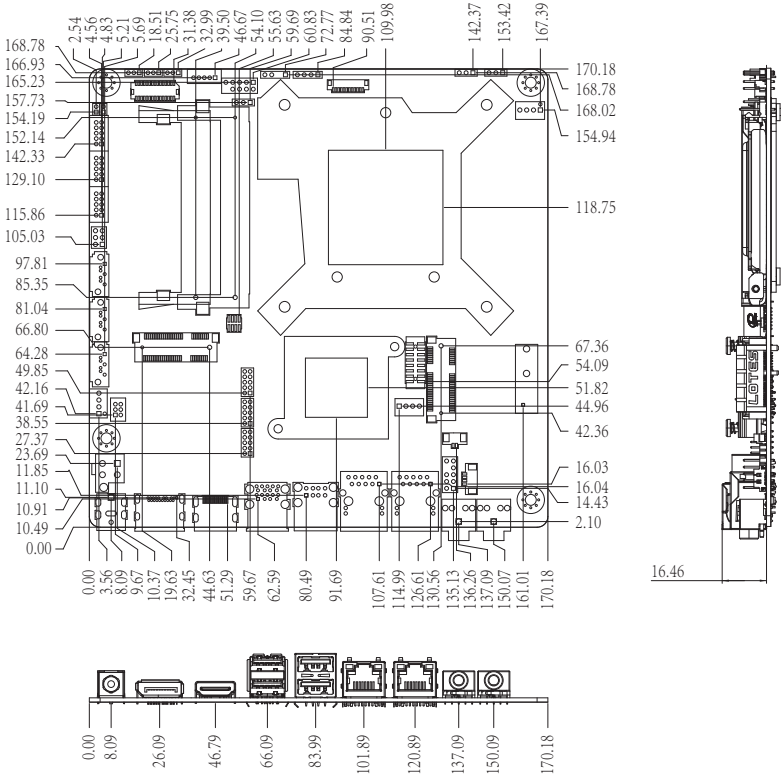
CAUTION! Do not overtighten the screws! Doing so can damage the motherboard.



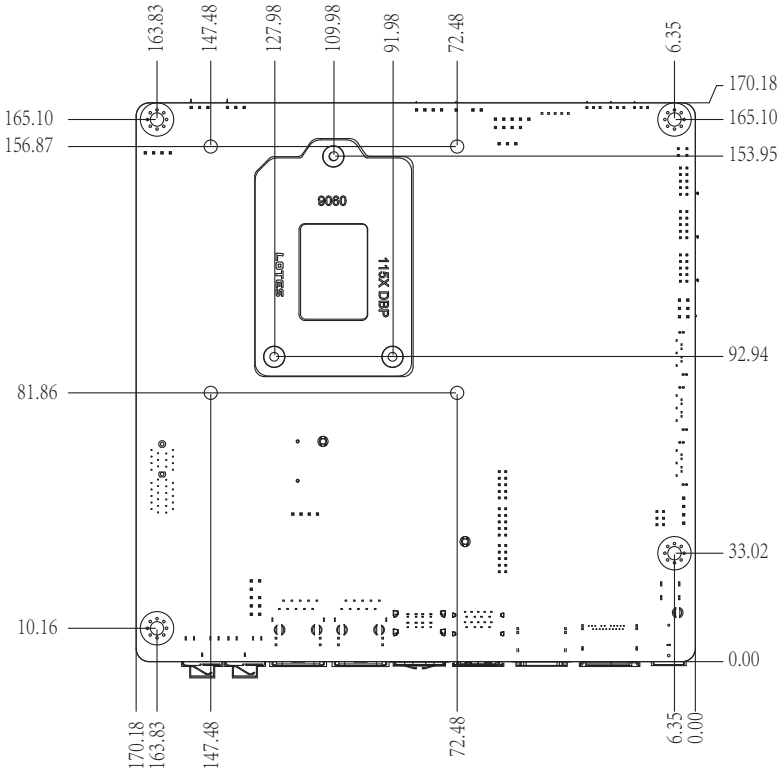
Connectors/Jumpers/Slots	Page
1. DC power connector (DC_PWR2)	2-17
2. PS/2 keyboard/mouse connector (6-pin KBMS)	2-21
3. CPU and chassis fan connectors (4-pin CPU_FAN, 4-pin CHA_FAN)	2-18
4. Serial ATA 3.0Gb/s connector (7-pin SATA3G_1)	2-26
5. Serial ATA 6.0Gb/s connectors (7-pin SATA6G_1/2)	2-22
6. COM1 Ring/+5V/+12V selection (COM1_VSET)	2-14
7. Serial port connectors (10-pin COM1, COM2)	2-24
8. Digital I/O connector (10-pin DIO)	2-20
9. LVDS connector (30-pin LVDS)	2-19
10. Inverter Backlight Control mode selection (3-pin LJ3)	2-15
11. Inverter voltage selection (3-pin LJ2)	2-14
12. LVDS panel voltage selection (3-pin LJ1)	2-14
13. Backlight inverter power connector (5-pin INV)	2-25
14. Front panel system panel connector (10-1 pin F_PANEL)	2-21
15. Chassis intrusion connector (4-1 pin CHASSIS)	2-20
16. Internal speaker connector (4-pin SPEAKER)	2-22
17. Clear RTC RAM (CLRRTC)	2-13
18. Intel® LGA1150 CPU socket	2-6
19. Intel® ME Jumper (3-pin DIS_ME)	2-15
20. SO-DIMM slots	2-11
21. VGA connector (16-pin VGA)	2-18
22. Full / Half size Mini Card (mSATA) (MINICARD2) Half size Mini Card (PCIe+USB) (MINICARD1)	2-22
23. AUX power LED (SB_PWR) Main power LED (VS_PWR)	2-1
24. Battery connector (2-pin BATTERY1)	2-25
25. Audio amplifier connector (4-pin AMP_CON)	2-18
26. Front panel audio connector (10-1 pin AAFP)	2-19
27. SATA power connector (4-pin SATA_PWR)	2-17
28. USB 2.0 connectors (10-pin USB34, USB56, USB1112)	2-23
29. SPI flash programmable connector (8-pin SPI_1)	2-23

2.3 Screw size

2.3.1 Component side

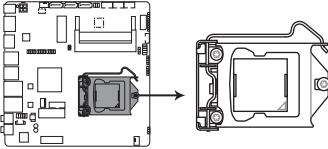


2.3.2 Solder side



2.4 Central Processing Unit (CPU)

The motherboard comes with a surface mount LGA1150 socket designed for the Intel® 4th Generation Core™ i7 / Core™ i5 / Core™ i3, Pentium® / Celeron® processors.



EMB-H81B CPU socket LGA1150



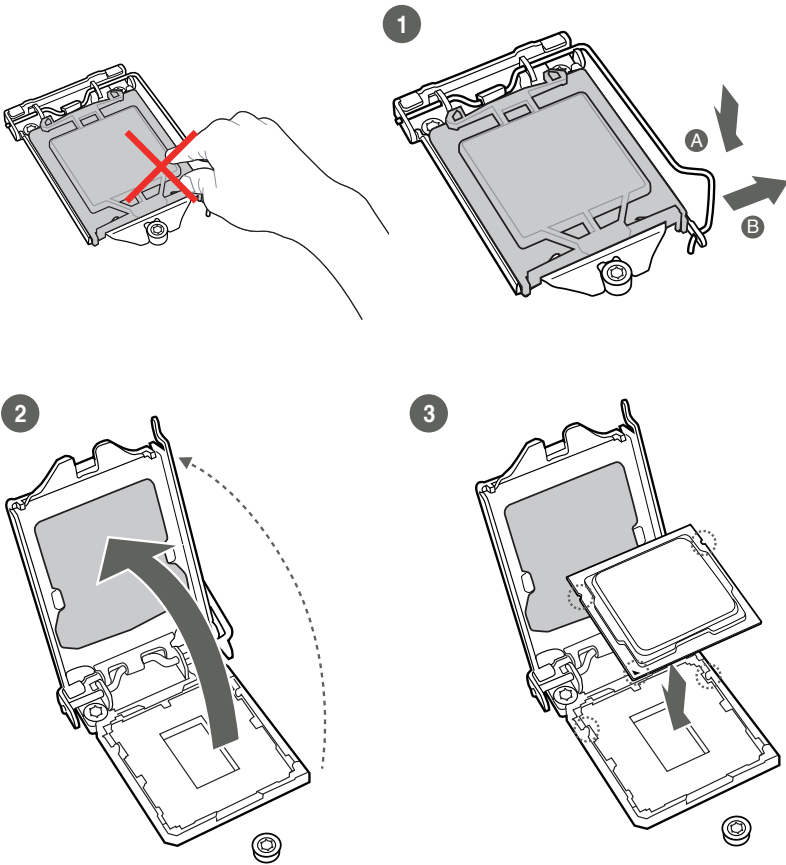
IMPORTANT: Unplug all power cables before installing the CPU.



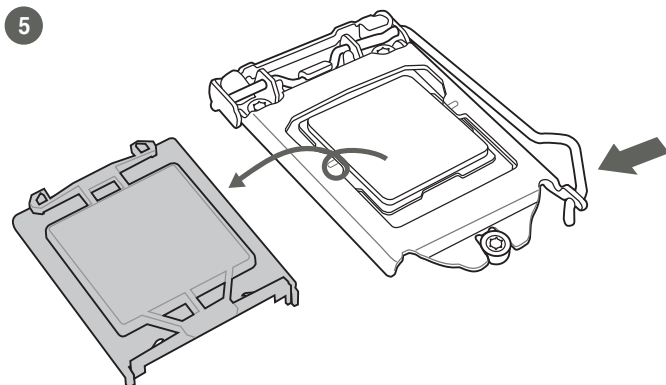
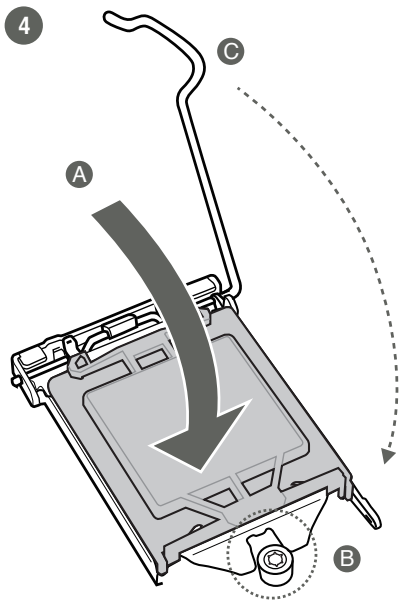
CAUTION!

- Upon purchase of the motherboard, ensure that the PnP cap is on the socket and the socket contacts are not bent. Contact your retailer immediately if the PnP cap is missing, or if you see any damage to the PnP cap/socket contacts/motherboard components. The manufacturer will shoulder the cost of repair only if the damage is shipment/transit-related.
 - Keep the cap after installing the motherboard. The manufacturer will process Return Merchandise Authorization (RMA) requests only if the motherboard comes with the cap on the LGA1150 socket.
 - The product warranty does not cover damage to the socket contacts resulting from incorrect CPU installation/removal, or misplacement/loss/incorrect removal of the PnP cap.
-

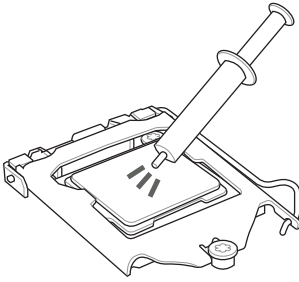
2.4.1 Installing the CPU



CAUTION! LGA1156 CPU is not compatible with the LGA1150 socket. DO NOT install an LGA1156 CPU on the LGA1150 socket.

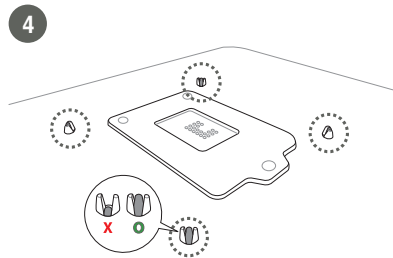
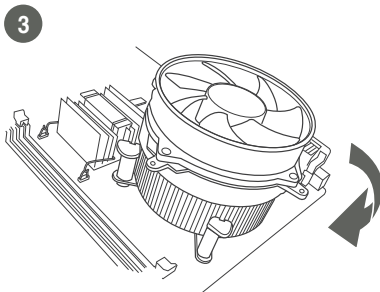
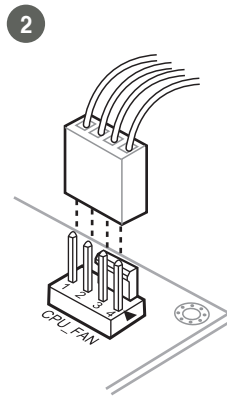
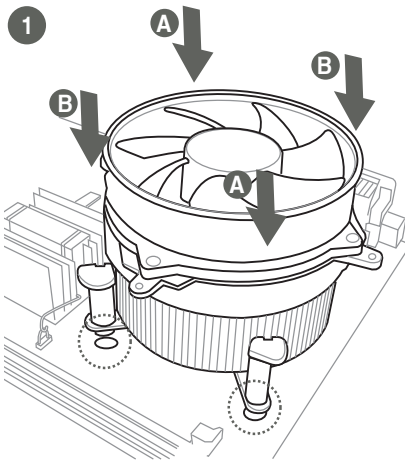


2.4.2 CPU heatsink and fan assembly installation

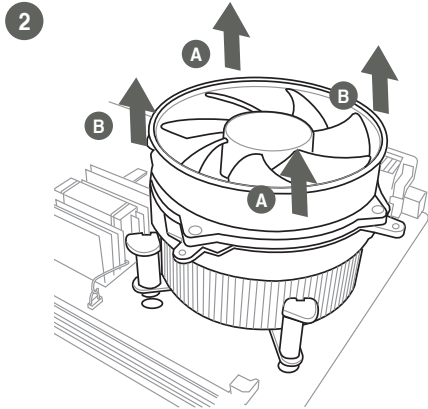
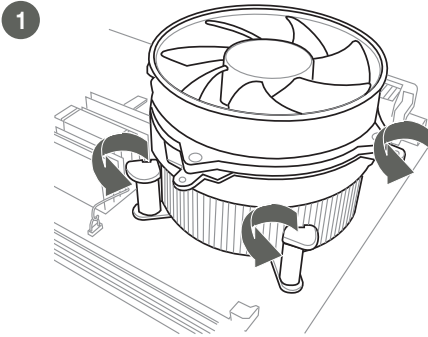


CAUTION! Apply the Thermal Interface Material to the CPU heatsink and CPU before you install the heatsink and fan if necessary.

To install the CPU heatsink and fan assembly



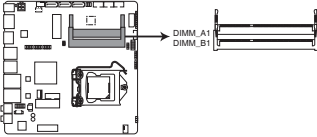
To uninstall the CPU heatsink and fan assembly



2.5 System memory

This motherboard comes with two Double Data Rate 3 (DDR3) Small Outline Dual Inline Memory Module (SO-DIMM) sockets. A DDR3 module has the same physical dimensions as a DDR2 DIMM but is notched differently to prevent installation on a DDR2 DIMM socket. DDR3 modules are developed for better performance with less power consumption.

The figure below illustrates the location of the DDR3 SO-DIMM sockets:

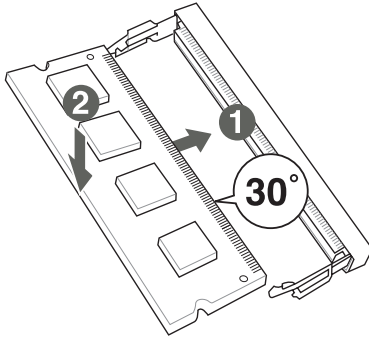


EMB-H81B 204-pin DDR3 SO-DIMM sockets

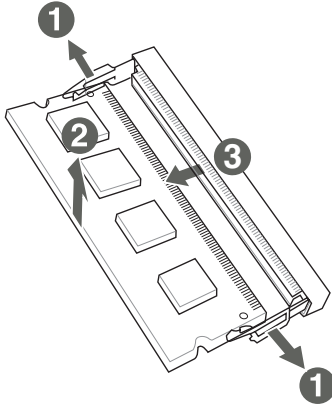
Channel	Sockets
Channel A	SO-DIMM_A1
Channel B	SO-DIMM_B1

2.5.1 Installing a DIMM

To install a DIMM



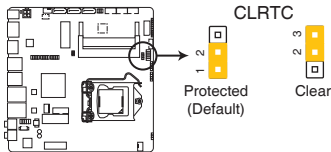
To remove a DIMM



2.6 Jumpers

1. Clear RTC RAM (CLRRTC)

This jumper allows you to clear the Real Time Clock (RTC) RAM in CMOS. You can clear the CMOS memory of system setup parameters by erasing the CMOS RTC RAM data. The onboard button cell battery powers the RAM data in CMOS, which include system setup information such as system passwords.



EMB-H81B Clear RTC RAM

To erase the RTC RAM:

1. Turn OFF the computer and unplug the power cord.
2. Move the jumper cap from pins 1-2 (default) to pins 2-3. Keep the cap on pins 2-3 for about 5~10 seconds, then move the cap back to pins 1-2.
3. Plug the power cord and turn ON the computer.
4. Hold down the **** key during the boot process and enter BIOS setup to reenter data.



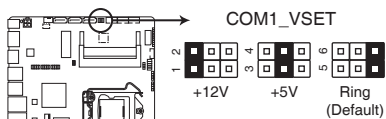
CAUTION! Except when clearing the RTC RAM, never remove the cap on CLRRTC jumper default position. Removing the cap will cause system boot failure!



NOTES:

- If the steps above do not help, remove the onboard battery and move the jumper again to clear the CMOS RTC RAM data. After clearing the CMOS, reinstall the battery.
 - You do not need to clear the RTC when the system hangs due to overclocking. For system failure due to overclocking, use the CPU Parameter Recall (C.P.R) feature. Shut down and reboot the system so the BIOS can automatically reset parameter settings to default values.
-

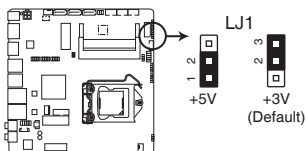
2. COM1 Ring/+5V/+12V selection (COM1_VSET)



EMB-H81B COM1 Ring/+5V/+12V selection

Setting	Pins
+12V	1-2
+5V	3-4
Ring (Default)	5-6

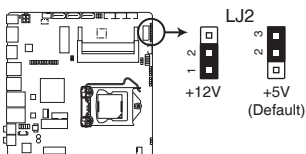
3. LVDS panel voltage selection (3-pin LJ1)



EMB-H81B LVDS Panel Voltage selection

	Pins
+5V	1-2
+3.3V (Default)	2-3

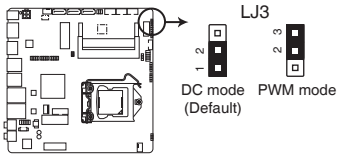
4. Inverter voltage selection (3-pin LJ2)



EMB-H81B Inverter Voltage selection

	Pins
+12V	1-2
+5V (Default)	2-3

5. Inverter Backlight Control mode selection (3-pin LJ3)

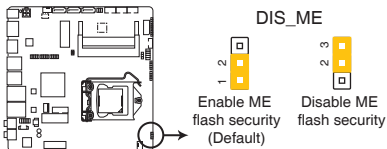


EMB-H81B Mode Selection for Back Light Control of Inverter

	Pins
DC Voltage Control (Default)	1-2
PWM Control	2-3

6. Intel® ME Jumper (3-pin DIS_ME)

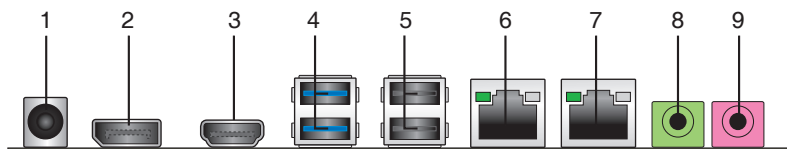
This jumper allows you to force Intel® Management Engine (ME) boot from recovery mode when ME become corrupted.



EMB-H81B Intel® ME Flash Security selection

2.7 Connectors

2.7.1 Rear panel connectors



1. **DC-In power jack.** This jack connects to a DC power adapter.
2. **DisplayPort.** This port connects a DisplayPort monitor or a home-theater system.
3. **HDMI port.** This port is for a High-Definition Multimedia Interface (HDMI), and is HDCP compliant allowing playback of HD DVD, Blu-ray, and other protected content.
4. **USB 3.0 ports.** These 9-pin Universal Serial Bus (USB) ports connect to USB 3.0/2.0 devices.



NOTES:

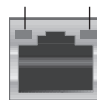
- DO NOT connect a keyboard / mouse to any USB 3.0 port when installing Windows® operating system.
- Due to USB 3.0 controller limitation, USB 3.0 devices can only be used under Windows® OS environment and after the USB 3.0 driver installation.
- USB 3.0 devices can only be used as data storage only.
- We strongly recommend that you connect USB 3.0 devices to USB 3.0 ports for faster and better performance for your USB 3.0 devices.

5. **USB 2.0 ports.** These 4-pin Universal Serial Bus (USB) ports are available for connecting USB 2.0/1.1 devices.
6. **LAN (RJ-45) ports.** These ports allow Gigabit connection to a Local Area Network (LAN) through a network hub. Refer to the table below for the LAN port LED indications.

LAN port LED indications

ACT/LINK LED		SPEED LED	
Status	Description	Status	Description
OFF	No link	OFF	10 Mbps connection
GREEN	Linked	ORANGE	100 Mbps connection
BLINKING	Data activity	GREEN	1 Gbps connection

Activity Link LED Speed LED



LAN port

7. **Line Out port (green).** This port connects to a headphone or a speaker. In a 4-channel, 6-channel and 8-channel configurations, the function of this port becomes Front Speaker Out.
8. **Microphone port (pink).** This port connects a microphone.



NOTE: Refer to the audio configuration table for the function of the audio ports in the 2, 4, 6, or 8-channel configuration.

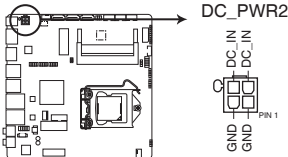
Audio 2, 4, 6, or 8-channel configuration

Port	Headset 2-channel	4-channel	6-channel	8-channel
Pink (Rear panel)	Mic In	Mic In	Bass/Center	Bass/Center
Green (Rear panel)	Line Out	Front Speaker Out	Front Speaker Out	Front Speaker Out

2.7.2 Internal connectors

1. DC power connector (4-pin DC_PWR2)

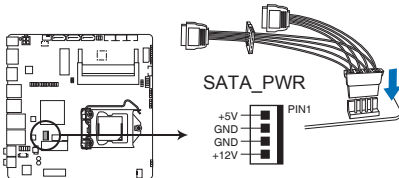
This connector is for the DC power plug. The power supply plug is designed to fit this connector in only one orientation. Find the proper orientation and push down firmly until the connector completely fit.



EMB-H81B DC-In 4P Power connector

2. SATA power connector (4-pin SATA_PWR)

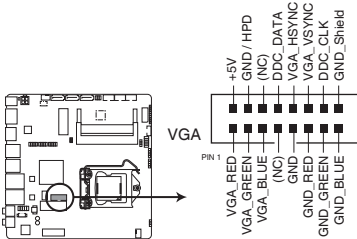
This connector is for the SATA power cable. The power cable plug is designed to fit this connector in only one orientation. Find the proper orientation and push down firmly until the connector completely fit.



EMB-H81B SATA POWER connector

3. VGA connector (16-pin VGA)

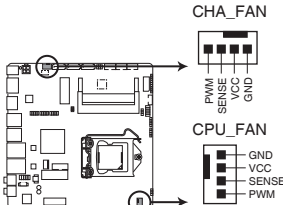
This 16-pin connector is for a VGA monitor or other VGA-compatible devices.



EMB-H81B VGA Port connector

4. CPU and chassis fan connectors (4-pin CPU_FAN, 4-pin CHA_FAN)

Connect the fan cables to the fan connectors on the motherboard, ensuring that the black wire of each cable matches the ground pin of the connector.



EMB-H81B Fan connectors



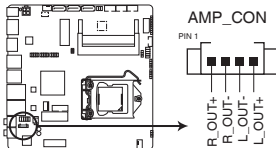
CAUTION: Do not forget to connect the fan cables to the fan connectors. Insufficient air flow inside the system may damage the motherboard components. These are not jumpers! Do not place jumper caps on the fan connectors!



NOTE: The CPU_FAN connector supports a CPU fan of maximum 2A (24 W) fan power.

5. Audio amplifier connector (4-pin AMP_CON)

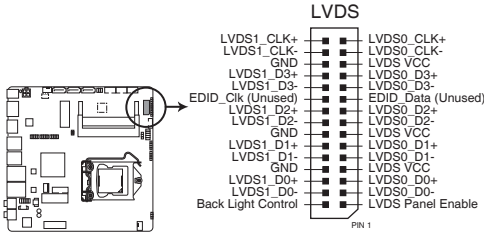
This connector is for an internal stereo amplifier speakers support (2W/4Ω via WtoB header).



EMB-H81B Audio Stereo Output with Amp connector

6. LVDS connector (30-pin LVDS)

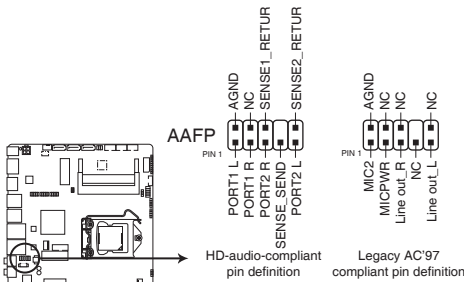
This connector is for an LCD monitor that supports Low Voltage Differential Signalling (LVDS) interface.



EMB-H81B LVDS Panel Signal connector

7. Front panel audio connector (10-1 pin AAFP)

This connector is for a chassis-mounted front panel audio I/O module that supports either HD Audio or legacy AC'97 audio standard. Connect one end of the front panel audio I/O module cable to this connector.



EMB-H81B Front panel audio connector



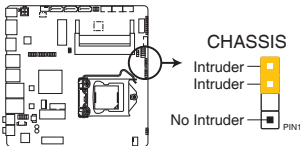
IMPORTANT!

- We recommend that you connect a high-definition front panel audio module to this connector to avail of the motherboard's high-definition audio capability.
- If you want to connect a high-definition front panel audio module to this connector, set the Front Panel Type item in the BIOS setup to [HD]; if you want to connect an AC'97 front panel audio module to this connector, set the item to [AC97]. By default, this connector is set to [HD].

8. Chassis intrusion connector (4-1 pin CHASSIS)

This connector is for a chassis-mounted intrusion detection sensor or switch. Connect one end of the chassis intrusion sensor or switch cable to this connector. The chassis intrusion sensor or switch sends a high-level signal to this connector when a chassis component is removed or replaced. The signal is then generated as a chassis intrusion event.

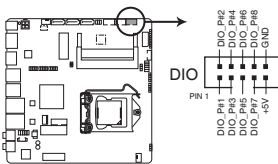
By default, the pins labeled “Intruder” are shorted with a jumper cap. Remove the jumper caps only when you intend to use the chassis intrusion detection feature.



EMB-H81B Chassis Intrusion connector

9. Digital I/O connector (10-pin DIO)

This connector includes 8 I/O lines (In/Out programmable). All of the Digital I/O lines are programmable and each I/O pin can be individually programmed to support various devices.



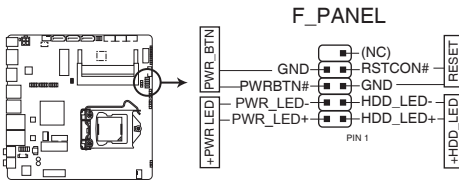
EMB-H81B Digital I/O connector



NOTE: To configure the I/O pins in BIOS, go to the **Advanced** tab > **Dynamic Digital IO**. See section 3.3.2 **Dynamic Digital IO** for details.

10. Front panel system panel connector (10-1 pin F_PANEL)

This connector supports several chassis-mounted functions.



EMB-H81B Front panel system connector

- **System power LED (2-pin PWR_LED)**

This 2-pin connector is for the system power LED. Connect the chassis power LED cable to this connector. The system power LED lights up when you turn on the system power, and blinks when the system is in sleep mode.

- **Hard disk drive activity LED (2-pin HDD_LED)**

This 2-pin connector is for the HDD Activity LED. Connect the HDD Activity LED cable to this connector. The IDE LED lights up or flashes when data is read from or written to the HDD.

- **ATX power button/soft-off button (2-pin PWR_BTN)**

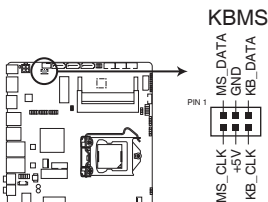
This 2-pin connector is for the system power button.

- **Reset button (2-pin RESET)**

This 2-pin connector is for the chassis-mounted reset button for system reboot without turning off the system power.

11. PS/2 keyboard/mouse connector (6-pin KBMS)

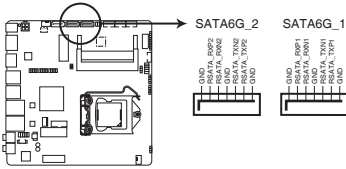
This connector is for an IBM PS/2-compatible keyboard or mouse.



EMB-H81B PS/2 (keyboard+mouse) connector

12. Serial ATA 6.0Gb/s connectors (7-pin SATA6G_1/2)

These connector connects to Serial ATA 6.0 Gb/s hard disk drives or an optical drive via Serial ATA 6.0 Gb/s signal cables.



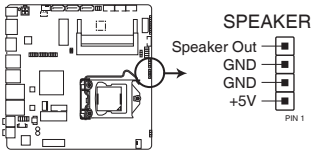
EMB-H81B SATA 6.0Gb/s connectors



NOTE: You must install Windows® XP Service Pack 3 or later version before using Serial ATA hard disk drives.

13. Speaker connector (4-pin SPEAKER)

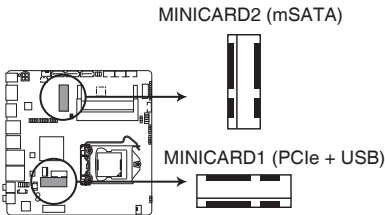
The 4-pin connector is for the chassis-mounted system warning speaker. The speaker allows you to hear system beeps and warnings.



EMB-H81B Speaker Out connector

14. Minicard connectors

Use these connectors to connect a Minicard device.



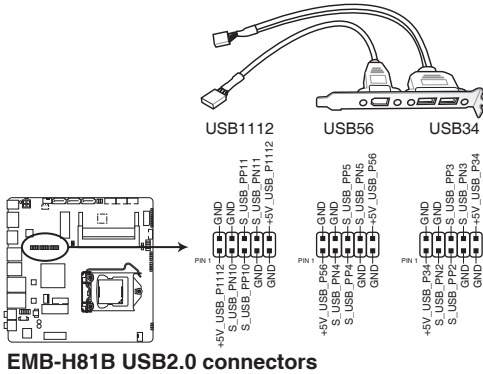
EMB-H81B MINICARD connectors



NOTE: The Minicard device is purchased separately.

15. USB 2.0 connectors (10-pin USB34, USB56, USB1112)

These connectors are for USB 2.0 ports. Connect the USB cable to these connectors. These USB connectors comply with USB 2.0 specification that supports up to 480 Mbps connection speed.



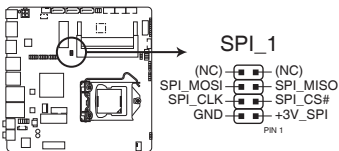
CAUTION! Never connect a 1394 cable to the USB connector. Doing so will damage the motherboard.



NOTE: The USB cable is purchased separately.

16. SPI Flash programmable connector (8-pin SPI_1)

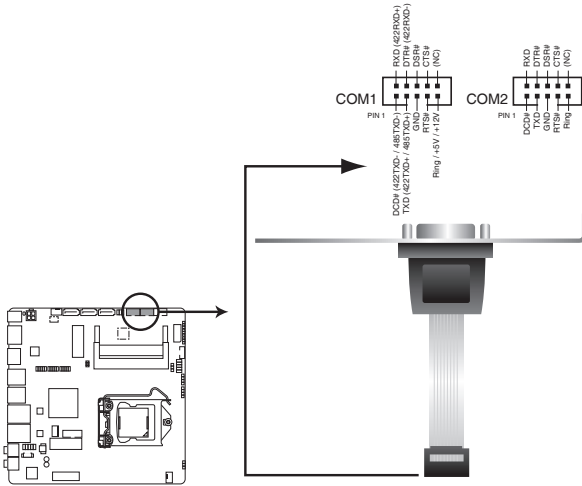
This connector is for SPI flash program machine. Connect the flash BIOS cable to this connector.



NOTE: The flash BIOS cable is purchased separately.

17. Serial port connectors (10-pin COM1, COM2)

These connectors are for serial (COM) ports. Connect the serial port cables to these connectors, then install the module to a slot opening at the back of the system chassis.



EMB-H81B Serial port connectors

Pin	Signal	Pin	Signal
1	DCD (422TXD-/485DATA-)	2	RXD (422RXD+)
3	TXD (422TXD+/485DATA+)	4	DTR (422RXD-)
5	GND	6	DSR
7	RTS	8	CTS
9	RI/+12V/+5V	10	N.C.

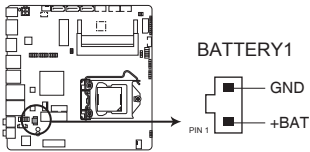


NOTES:

- The serial port cables are purchased separately.
- Only COM1 can support RS-422 and RS-485.

18. Battery connector (2-pin BATTERY1)

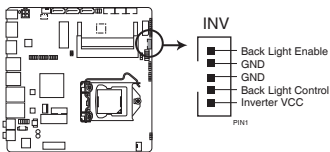
This connector is for the lithium CMOS battery.



EMB-H81B Battery connector

19. Backlight inverter power connector (5-pin INV)

Connect the backlight inverter power cable to this connector.



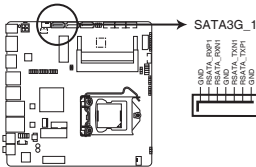
EMB-H81B Inverter connector



NOTE: The backlight inverter power cable and the inverter module are purchased separately.

20. Serial ATA 3Gb/s connectors (7-pin SATA3G_1)

This connector connects to a Serial ATA 3Gb/s hard disk drive or an optical drive via a Serial ATA 3Gb/s signal cable.



EMB-H81B SATA 3.0Gb/s connector



NOTE: You must install Windows® XP Service Pack 3 or later version before using Serial ATA hard disk drives.

2.8 Power Supply Considerations



CAUTION!

- The external DC jack (5.5/2.5mm) is the primary power input connector of EMB-H81B. However, the desktop board also provides an internal 2 x 2 power connector that can be used in custom-developed systems that have an internal power supply.
 - There is no isolation circuitry between the external DC jack and the internal 2 x 2 power connector. It is the system integrator's responsibility to ensure no more than one power supply unit is or can be attached to the board at any time and to ensure the external DC jack is covered if the internal 2 x 2 power connector is to be used.
 - Simultaneous connection of both external and internal power supply units could result in potential damage to the desktop board, power supplies, or other hardware.
 - System power requirements will depend on actual system configurations chosen by the integrator, as well as end user expansion preferences. It is the system integrator's responsibility to ensure an appropriate power budget for the system configuration is properly assessed based on the system-level components chosen.
 - Considering the power conversion efficiency between V_{in} (+12V), the V_{out} (+12V) output voltage is set around 11.6V.
-

Chapter 3

BIOS setup

3.1 BIOS setup program

Use the BIOS Setup program to update the BIOS or configure its parameters. The BIOS screens include navigation keys and brief online help to guide you in using the BIOS Setup program.

Entering BIOS Setup at startup

To enter BIOS Setup at startup:

Press <Delete> during the Power-On Self Test (POST). If you do not press <Delete>, POST continues with its routine.

Entering BIOS Setup after POST

To enter BIOS Setup after POST:

- Press <Ctrl>+<Alt>+ simultaneously.
- Press the reset button on the system chassis.
- Press the power button to turn the system off then back on. Do this option only if you failed to enter BIOS Setup using the first two options.



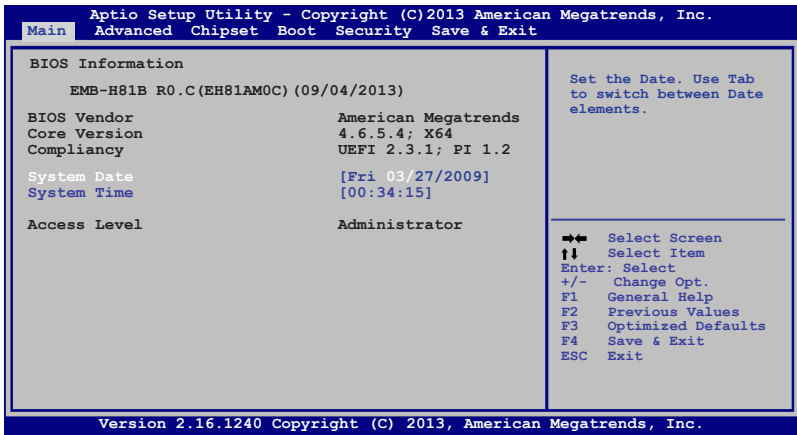
NOTE: Using the power button, reset button, or the <Ctrl>+<Alt>+ keys to reboot a running operating system can cause damage to your data or system. Always shut down the system properly from the operating system.



IMPORTANT:

- The default BIOS settings for this motherboard apply to most working conditions and ensures optimal performance. If the system becomes unstable after changing any BIOS settings, load the default settings to regain system stability. Select the option **Restore Defaults** under the Save & Exit Menu. See section 3.7 **Exit Menu**.
 - The BIOS setup screens shown in this section are for reference purposes only, and may not exactly match what you see on your screen.
-

3.1.1 BIOS menu screen



3.1.2 Menu bar

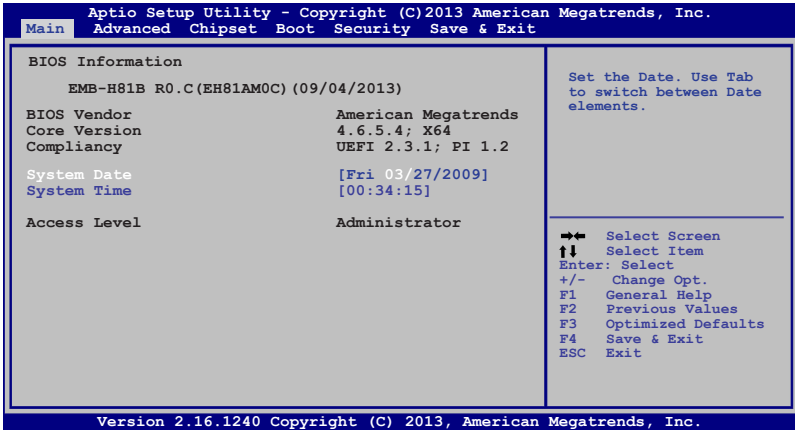
The menu bar on top of the screen has the following main items:

- Main** For changing the basic system configuration.
- Advanced** For changing the advanced system settings.
- Chipset** For viewing and changing chipset settings.
- Boot** For changing the system boot configuration.
- Security** For viewing and changing security Information.
- Save & Exit** For selecting the save & exit options and loading default settings.

To select an item on the menu bar, press the right or left arrow key on the keyboard until the desired item is highlighted.

3.2 Main menu

The Main menu provides you an overview of the basic system information, and allows you to set the system date, time, language, and security settings.



3.2.1 System Date [Day MM/DD/YYYY]

Allows you to set the system date.

3.2.2 System Time [HH:MM:SS]

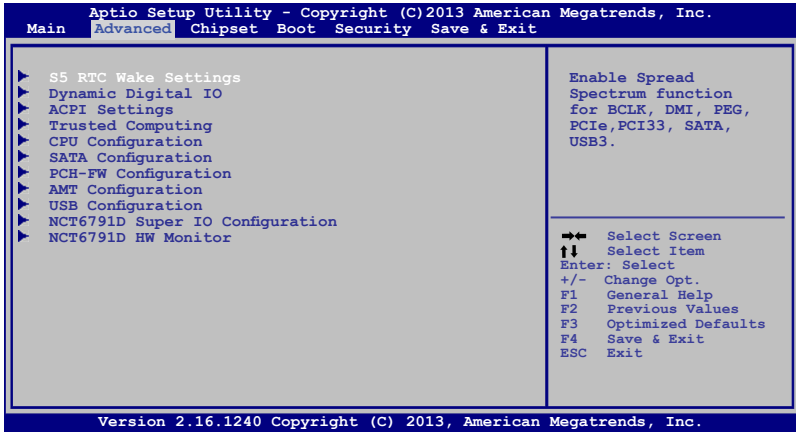
Allows you to set the system time.

3.3 Advanced menu

The Advanced menu items allow you to change the settings for the CPU and other system devices.



Be cautious when changing the settings of the Advanced menu items. Incorrect field values can cause the system to malfunction.



3.3.1 S5 RTC Wake Settings

This item allows you to enable the system to wake up from S5 state using an alert event.

Wake system with Fixed Time [Disabled]

Allows you to enable or disable the system's wake-on alert event. When enabled, the system wakes up on the specified time. Configuration options: [Enabled] [Disabled]

Wake system with Dynamic Time [Disabled]

Allows you to enable or disable the system's wake-on alert event. When enabled, the system wakes up on the current time plus the specified wake-up minute. Configuration options: [Enabled] [Disabled]

3.3.2 Dynamic Digital IO

The items in this menu allows you to configure the Digital IO as input or output and Digital IO Output as high or low.

GPIO 0-3 [Input]

Allows you to set the GPIO 0-3 as Input or Output. Configuration options: [Input] [Output]

GPIO 4~7 [Output]

Allows you to set the GPIO 4~7 as Input or Output. Configuration options: [Input] [Output]

Output Level [Hi]

Allows you to set the Output Level as high or low. Configuration options: [Hi] [Low]

3.3.3 ACPI Settings

This item allows you to change the ACPI settings.

ACPI Sleep State [S3 only (Suspend to...)]

Allows you to select the ACPI Sleep State that the system will enter when the SUSPEND button is pressed. Configuration options: [Suspend Disabled] [(S3 only (Suspend to RAM))]

3.3.4 Trusted Computing

The items in this menu allows you to configure the Trusted Computing settings.

Security Device Support [Disabled]

Allows you to enable or disable BIOS support for security device. O.S. will not show Security Device. TCG EFI protocol and INT1A interface will not be available. Configuration options: [Disabled] [Enabled]

3.3.5 CPU Configuration

The items in this menu show the CPU-related information that the BIOS automatically detects.

Intel(R) Virtualization Tech [Enabled]

Enables or disables Intel® Virtualization Technology. Virtualization enhanced by Intel® Virtualization Technology allows a platform to run multiple operating systems and applications in independent partitions. With virtualization, one computer system can function as multiple virtual systems. Configuration options: [Enabled] [Disabled]

Turbo Mode [Disabled]

Allows you to enable or disable Turbo Mode. Configuration options: [Enabled] [Disabled]

Boot Performance Mode [Max Non-Turbo Perfo...]

Allows you to select the performance state that the BIOS will set before OS handoff. Configuration options: [Max Non-Turbo Performance] [Max Battery] [Turbo Performance]

3.3.6 SATA Configuration

While entering Setup, the BIOS automatically detects the presence of SATA devices. The SATA Port items show **Not Present** if no SATA device is installed to the corresponding SATA port.

SATA Controller(s) [Enabled]

Allows you to enable or disable the SATA device(s).

[Enabled] Enables the SATA device(s).

[Disabled] Disables this SATA device(s).

3.3.7 PCH-FW Configuration

Allows you to configure the Management Engine Technology parameters.

3.3.8 AMT Configuration

The items in this menu allow you to change the Intel® Active Management Technology (AMT) feature.

Intel® AMT [Enabled]

Allow you to enable or disable the Intel® Active Management Technology (AMT) in the BIOS extension. Configuration options: [Enabled] [Disabled]



- iAMT H/W is always enabled. This option just controls the BIOS extension execution. If enabled, this requires additional firmware in the SPI device.
- The following two items become configurable only when you set the Intel®AMT item to [Enabled].

Un-Configure ME [Disabled]

Sets this item to [Disabled] to unconfigure AMT/ME without using a password or set it to [Enabled] to use a password. Configuration options: [Enabled] [Disabled]

3.3.9 USB Configuration

The items in this menu allow you to change the USB-related features.



The USB Devices item shows the auto-detected values. If no USB device is detected, the item shows **None**.

Legacy USB Support [Enabled]

[Enabled] Enables the support for USB devices on legacy operating systems (OS).

[Disabled] The USB devices can be used only for the BIOS setup program.

[Auto]

Allows the system to detect the presence of USB devices at startup. If detected, the USB controller legacy mode is enabled. If no USB device is detected, the legacy USB support is disabled.

3.3.10 NCT6791D Super IO Configuration

Allows you to configure the system super I/O chip parameters.

Serial Port1~2 Configuration

The sub-items in this menu allow you to set the serial port configuration.

Serial Port [Enabled]

Allows you to enable or disable the serial port (COM). Configuration options: [Enabled] [Disabled]



The following two items appear only when you set the **Serial Port** to [Enabled].

Change Settings [Auto]

Allows you to select the Serial Port base address.
Configuration options: [Auto] [IO=3F8h; IRQ=4] [IO=3F8h; IRQ=3,4,5,6,7,10,11,12] [IO=2F8h; IRQ=3,4,5,6,7,10,11,12] [IO=3E8h; IRQ=3,4,5,6,7,10,11,12] [IO=2E8h; IRQ=3,4,5,6,7,10,11,12]

Device Mode [RS232]

This item is only supported by Serial Port 1 and allows you to select COM RS Mode. Configuration options: [RS232] [RS422] [RS485]

3.3.11 NCT6791D HW Monitor

Allows you to monitor the hardware status.

Smart Fan Configuration

The sub-items in this menu allow you to set the smart fan configuration.

CPU Smart Fan Control [Disabled]

Allows you to enable or disable the CPU Smart Fan Control. Configuration options: [Enabled] [Disabled]

Chassis Smart Fan Control [Disabled]

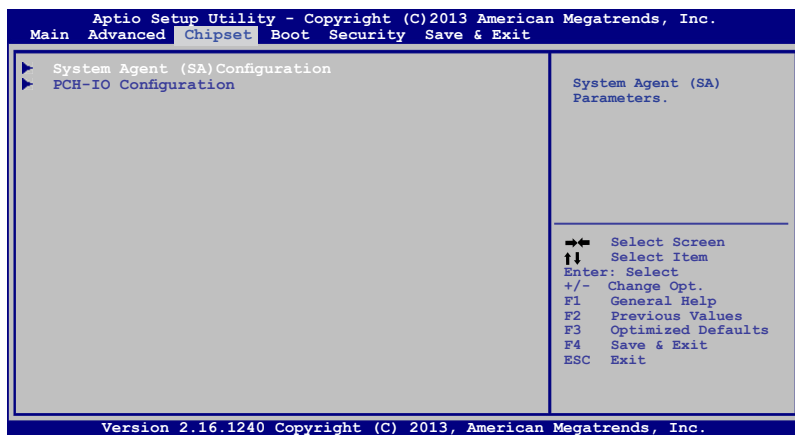
Allows you to enable or disable the Chassis Smart Fan Control. Configuration options: [Enabled] [Disabled]

3.4 Chipset menu

The Chipset menu items allow you to change the settings for the chipset.



Be cautious when changing the settings of the Advanced menu items. Incorrect field values can cause the system to malfunction.



3.4.1 System Agent (SA) Configuration

Allows you to change the System Agent (SA) parameters.

VT-d [Enabled]

Allows you to enable or disable VT-d function on MCH. Configuration options: [Enabled] [Disabled]

Graphics Configuration

Internal Graphics [Auto]

Configures IGD enabled based on setup options.
Configuration options: [Auto] [Disabled] [Enabled]

DVMT Pre-Allocated [32M]

Allows you to select the amount of system memory allocated to DVMT 5.0 used by the Internal Graphics Device.
Configuration options: [32M] [64M][96M] [128M] ~ [416M] [448M] [480M] [512M] [1024M]

DVMT Total Gfx Mem [256M]

Allows you to select the total amount of system memory allocated to DVMT 5.0 used by the Internal Graphics Device.
Configuration options: [128M][256M] [MAX]

Primary IGFX Boot Display [VBIOS Default]

Select the Video Devices which will be activated during POST.

Configuration options: [VBIOS Default] [CRT] [Display Port] [HDMI] [LVDS]

LVDS Enable [Enabled]

Configuration options: [Disabled] [Enabled]

LVDS Panel Type [1024x768, 18bit, 60Hz]

Select the type of LCD panel used as display.

Configuration options:[640x480, 18bit, 60Hz] [800x480, 18bit, 60Hz]

[800x600, 18bit, 60Hz][1024x600, 18bit, 60Hz] [1024x768, 18bit, 60Hz]

[1024x768, 24bit, 60Hz][1280x768, 24bit, 60Hz] [1280x1024, 48bit, 60Hz]

[1366x768, 24bit, 60Hz][1440x900, 48bit, 60Hz] [1600x1200, 48bit, 60Hz]

[1920x1080, 48bit, 60Hz][1920x1200, 48bit, 60Hz]

LVDS Backlight Level [80%]

Select the backlight level.

Configuration options: [0%] [10%] [20%] [30%][40%] [50%] [60%] [70%]

[80%] [90%] [100%]

LVDS Backlight Type [Normal]

Select the backlight mode. Configuration options: [Normal] [Inverted]

3.4.2 PCH-IO Configuration

Power Mode [ATX Types]

Allows you to select the power supply mode. Configuration options: [ATX Type] [AT Type]

Resume on Ring [Enabled]

[Disabled] Disables Ring to generate a wake event.

[Enabled] Enables Ring to generate a wake event.

Restore AC Power Loss [Power Off]

[Power On] The system goes into on state after an AC power loss.

[Power Off] The system goes into off state after an AC power loss.

[Last State] The system goes into either off or on state, whatever the system state was before the AC power loss.

ERP/EUP mode [Disabled]

Allows you to enable or disable ERP/EUP mode for energy star.

Configuration options: [Enabled] [Disabled]

Mini-PCIe port 1 Speed and PCIe x1 Slot Speed [Auto]

Allows you to select the PCI Express port speed.

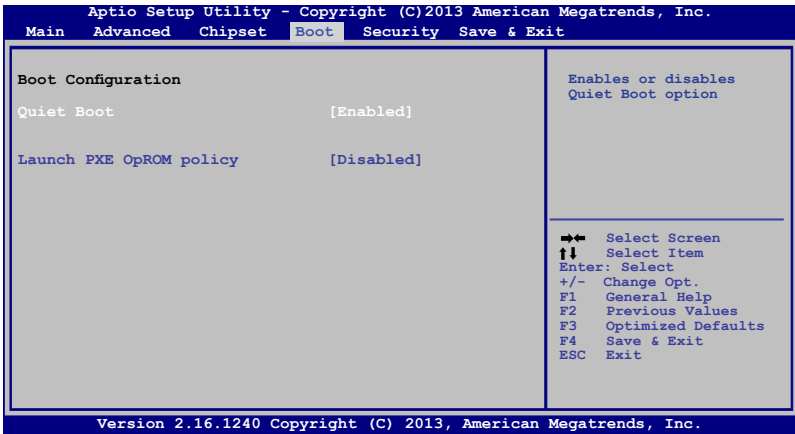
Configuration options: [Auto] [Gen1] [Gen 2]

Case Open Warning [Disabled]

Configuration options: [Disabled] [Enabled] [Clear]

3.5 Boot menu

The Boot menu items allow you to change the system boot options.



3.5.1 Boot Configuration

Quiet Boot [Enabled]

Enables or disables the Quiet Boot option.

Configuration options: [Enabled] [Disabled]

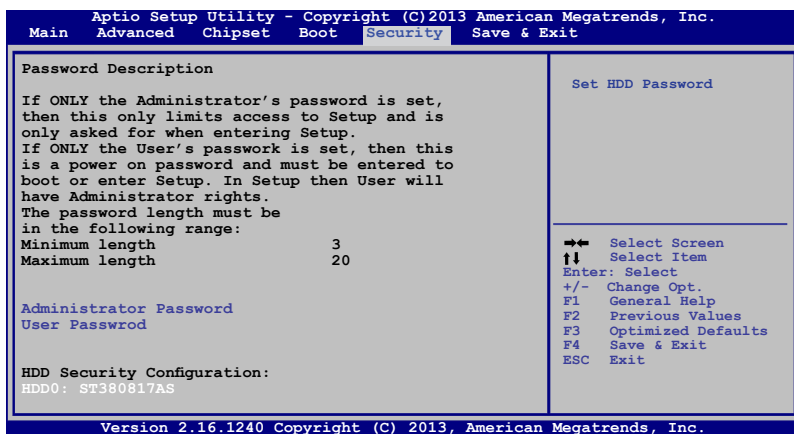
Launch PXE OpROM policy [Disabled]

Controls the launch of UEFI and Legacy PXE OpROM.

Configuration options: [Disabled] [Enabled]

3.6 Security menu

The Security menu items allow you to change the system security settings.



Administrator Password

If you have set an administrator password, we recommend that you enter the administrator password for accessing the system. Otherwise, you might be able to see or change only selected fields in the BIOS setup program.

To set an administrator password:



- If you have forgotten your BIOS password, erase the CMOS Real Time Clock (RTC) RAM to clear the BIOS password. See section 1.6 Jumpers for information on how to erase the RTC RAM.
- The **Administrator** or **User Password** items on top of the screen show the default **Not Installed**. After you set a password, these items show **Installed**.

1. Select the **Administrator Password** item and press <Enter>.
2. From the **Create New Password** box, key in a password, then press <Enter>.
3. Confirm the password when prompted.

To change an administrator password:

1. Select the **Administrator Password** item and press <Enter>.
2. From the **Enter Current Password** box, key in the current password, then press <Enter>.
3. From the **Create New Password** box, key in a new password, then press <Enter>.
4. Confirm the password when prompted.

To clear the administrator password, follow the same steps as in changing an administrator password, but press <Enter> when prompted to create/confirm the password. After you clear the password, the **Administrator Password** item on top of the screen shows **Not Installed**.

User Password

If you have set a user password, you must enter the user password for accessing the system. The **User Password** item on top of the screen shows the default **Not Installed**. After you set a password, this item shows **Installed**.

To set a user password:

1. Select the **User Password** item and press <Enter>.
2. From the **Create New Password** box, key in a password, then press <Enter>.
3. Confirm the password when prompted.

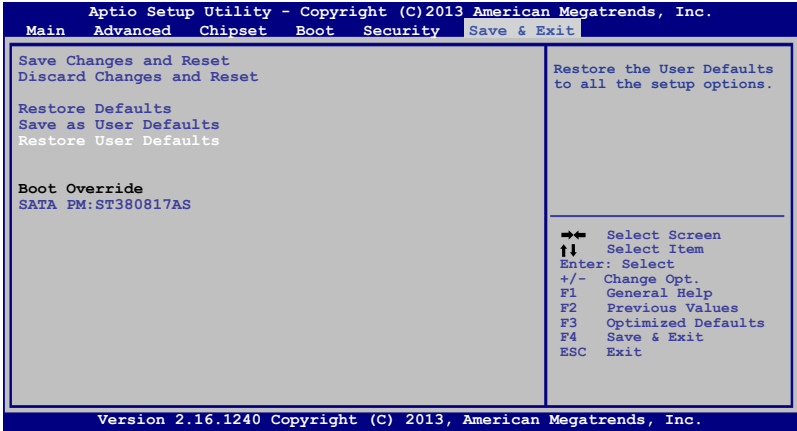
To change a user password:

1. Select the **User Password** item and press <Enter>.
2. From the **Enter Current Password** box, key in the current password, then press <Enter>.
3. From the **Create New Password** box, key in a new password, then press <Enter>.
4. Confirm the password when prompted.

To clear the user password, follow the same steps as in changing a user password, but press <Enter> when prompted to create/confirm the password. After you clear the password, the **User Password** item on top of the screen shows **Not Installed**.

3.7 Save & Exit menu

The Save & Exit menu items allow you to load the optimal default values for the BIOS items, and save or discard your changes to the BIOS items.



Save Changes & Reset

Once you are finished making your selections, choose this option from the Save & Exit menu to ensure the values you selected are saved. When you select this option or if you press <F4>, a confirmation window appears. Select Yes to save changes and reset.

Discard Changes & Reset

This option allows you to reset the system without saving your changes. When you select this option or if you press <Esc>, a confirmation window appears. Select Yes to discard changes and reset.

Restore Defaults

This option allows you to restore the default values for each of the parameters on the Setup menus. When you select this option or if you press <F3>, a confirmation window appears. Select Yes to load the default values.

Save as User Defaults

This option allows you to save the changes made so far as User Defaults. When you select this option, a confirmation window appears. Select Yes to save as user defaults.

Restore User Defaults

This option allows you to restore the User Defaults to all the setup options. When you select this option, a confirmation window appears. Select Yes to restore user defaults.

Boot Override

These items displays the available devices. The number of device items that appears on the screen depends on the number of devices installed in the system. Click an item to start booting from the selected device.

Appendix

Notices

Federal Communications Commission Statement

This device complies with Part 15 of the FCC Rules. Operation is subject to the following two conditions:

- This device may not cause harmful interference.
- This device must accept any interference received including interference that may cause undesired operation.

This equipment has been tested and found to comply with the limits for a Class A digital device, pursuant to Part 15 of the FCC Rules. These limits are designed to provide reasonable protection against harmful interference in a residential installation. This equipment generates, uses and can radiate radio frequency energy and, if not installed and used in accordance with manufacturer's instructions, may cause harmful interference to radio communications. However, there is no guarantee that interference will not occur in a particular installation. If this equipment does cause harmful interference to radio or television reception, which can be determined by turning the equipment off and on, the user is encouraged to try to correct the interference by one or more of the following measures:

- Reorient or relocate the receiving antenna.
- Increase the separation between the equipment and receiver.
- Connect the equipment to an outlet on a circuit different from that to which the receiver is connected.
- Consult the dealer or an experienced radio/TV technician for help.



WARNING! The use of shielded cables for connection of the monitor to the graphics card is required to assure compliance with FCC regulations. Changes or modifications to this unit not expressly approved by the party responsible for compliance could void the user's authority to operate this equipment.



DO NOT throw the motherboard in municipal waste. This product has been designed to enable proper reuse of parts and recycling. This symbol of the crossed out wheeled bin indicates that the product (electrical and electronic equipment) should not be placed in municipal waste. Check local regulations for disposal of electronic products.



DO NOT throw the mercury-containing button cell battery in municipal waste. This symbol of the crossed out wheeled bin indicates that the battery should not be placed in municipal waste.



電子信息產品污染控制標示：圖中之數字為產品之環保使用期限。僅指電子信息產品中含有的有毒有害物質或元素不致發生外洩或突變從而對環境造成污染或對人身、財產造成嚴重損害的期限。

有毒有害物質或元素的名稱及含量說明標示：

部件名稱	有害物質或元素					
	鉛 (Pb)	汞 (Hg)	鎘 (Cd)	六 價 鉻 (Cr(VI))	多 溴 聯 苯 (PBB)	多 溴 二 苯 醚 (PBDE)
印刷電路板及其電子組件	×	○	○	○	○	○
外部信號連接頭及線材	×	○	○	○	○	○

○：表示該有毒有害物質在該部件所有均質材料中的含量均在 SJ/T 11363-2006 標準規定的限量要求以下。

×：表示該有毒有害物質至少在該部件的某一均質材料中的含量超出 SJ/T 11363-2006 標準規定的限量要求，然該部件仍符合歐盟指令 2002/95/EC 的規範。

備註：此產品所標示之環保使用期限，係指在一般正常使用狀況下。