

# BOXER-8230AI

---

Compact Fanless Embedded AI@Edge Box PC  
with NVIDIA<sup>®</sup> Jetson™ TX2 NX  
User's Manual 2<sup>nd</sup> Ed

## Copyright Notice

---

This document is copyrighted, 2022. All rights are reserved. The original manufacturer reserves the right to make improvements to the products described in this manual at any time without notice.

No part of this manual may be reproduced, copied, translated, or transmitted in any form or by any means without the prior written permission of the original manufacturer. Information provided in this manual is intended to be accurate and reliable. However, the original manufacturer assumes no responsibility for its use, or for any infringements upon the rights of third parties that may result from its use.

The material in this document is for product information only and is subject to change without notice. While reasonable efforts have been made in the preparation of this document to assure its accuracy, AAEMON assumes no liabilities resulting from errors or omissions in this document, or from the use of the information contained herein.

AAEMON reserves the right to make changes in the product design without notice to its users.

## Acknowledgements

---

All other products' name or trademarks are properties of their respective owners.

- NVIDIA, the NVIDIA logo, and Jetson are trademarks of the NVIDIA Corporation
- ITE is a trademark of Integrated Technology Express, Inc.
- IBM and VGA are trademarks of International Business Machines Corporation.
- Ubuntu is a registered trademark of Canonical

All other product names or trademarks are properties of their respective owners. No ownership is implied or assumed for products, names or trademarks not herein listed by the publisher of this document.

## Packing List

---

Before setting up your product, please make sure the following items have been shipped:

Item	Quantity
● BOXER-8230AI	1
● Power Connector	1

If any of these items are missing or damaged, please contact your distributor or sales representative immediately.

## About this Document

---

This User's Manual contains all the essential information, such as detailed descriptions and explanations on the product's hardware and software features (if any), its specifications, dimensions, jumper/connector settings/definitions, and driver installation instructions (if any), to facilitate users in setting up their product.

Users may refer to the product page at [AAEON.com](http://AAEON.com) for the latest version of this document.

## Safety Precautions

---

Please read the following safety instructions carefully. It is advised that you keep this manual for future references

1. All cautions and warnings on the device should be noted.
2. All cables and adapters supplied by AAEON are certified and in accordance with the material safety laws and regulations of the country of sale. Do not use any cables or adapters not supplied by AAEON to prevent system malfunction or fires.
3. Make sure the power source matches the power rating of the device.
4. Position the power cord so that people cannot step on it. Do not place anything over the power cord.
5. Always completely disconnect the power before working on the system's hardware.
6. No connections should be made when the system is powered as a sudden rush of power may damage sensitive electronic components.
7. If the device is not to be used for a long time, disconnect it from the power supply to avoid damage by transient over-voltage.
8. Always disconnect this device from any AC supply before cleaning.
9. While cleaning, use a damp cloth instead of liquid or spray detergents.
10. Make sure the device is installed near a power outlet and is easily accessible.
11. Keep this device away from humidity.
12. Place the device on a solid surface during installation to prevent falls
13. Do not cover the openings on the device to ensure optimal heat dissipation.
14. Watch out for high temperatures when the system is running.
15. Do not touch the heat sink or heat spreader when the system is running
16. Never pour any liquid into the openings. This could cause fire or electric shock.

17. As most electronic components are sensitive to static electrical charge, be sure to ground yourself to prevent static charge when installing the internal components. Use a grounding wrist strap and contain all electronic components in any static-shielded containers.
18. If any of the following situations arises, please the contact our service personnel:
  - i. Damaged power cord or plug
  - ii. Liquid intrusion to the device
  - iii. Exposure to moisture
  - iv. Device is not working as expected or in a manner as described in this manual
  - v. The device is dropped or damaged
  - vi. Any obvious signs of damage displayed on the device
19. **DO NOT LEAVE THIS DEVICE IN AN UNCONTROLLED ENVIRONMENT WITH TEMPERATURES BEYOND THE DEVICE'S PERMITTED STORAGE TEMPERATURES (SEE CHAPTER 1) TO PREVENT DAMAGE.**

## FCC Statement

---

### **Warning!**



This device complies with Part 15 FCC Rules. Operation is subject to the following two conditions: (1) this device may not cause harmful interference, and (2) this device must accept any interference received including interference that may cause undesired operation.

### **Caution:**

*There is a danger of explosion if the battery is incorrectly replaced. Replace only with the same or equivalent type recommended by the manufacturer. Dispose of used batteries according to the manufacturer's instructions and your local government's recycling or disposal directives.*

### **Attention:**

*Il y a un risque d'explosion si la batterie est remplacée de façon incorrecte. Ne la remplacer qu'avec le même modèle ou équivalent recommandé par le constructeur. Recycler les batteries usées en accord avec les instructions du fabricant et les directives gouvernementales de recyclage.*



China RoHS Requirements (CN)

产品中有毒有害物质或元素名称及含量

AAEON System

QO4-381 Rev.A0

部件名称	有毒有害物质或元素					
	铅 (Pb)	汞 (Hg)	镉 (Cd)	六价铬 (Cr(VI))	多溴联苯 (PBB)	多溴二苯 醚(PBDE)
印刷电路板 及其电子组件	×	○	○	○	○	○
外部信号 连接器及线材	×	○	○	○	○	○
外壳	○	○	○	○	○	○
中央处理器 与内存	×	○	○	○	○	○
硬盘	×	○	○	○	○	○
液晶模块	×	×	○	○	○	○
光驱	×	○	○	○	○	○
触控模块	×	○	○	○	○	○
电源	×	○	○	○	○	○
电池	×	○	○	○	○	○

本表格依据 SJ/T 11364 的规定编制。

○：表示该有毒有害物质在该部件所有均质材料中的含量均在 GB/T 26572 标准规定的限量要求以下。

×：表示该有害物质的某一均质材料超出了 GB/T 26572 的限量要求，然而该部件仍符合欧盟指令 2011/65/EU 的规范。

备注：

- 一、此产品所标示之环保使用期限，系指在一般正常使用状况下。
- 二、上述部件物质中央处理器、内存、硬盘、光驱、电源为选购品。
- 三、上述部件物质液晶模块、触控模块仅一体机产品适用。

**Hazardous and Toxic Materials List**

AAEON System

QO4-381 Rev.A0

Component Name	Hazardous or Toxic Materials or Elements					
	Lead (Pb)	Mercury (Hg)	Cadmium (Cd)	Hexavalent Chromium (Cr(VI))	Polybrominated biphenyls (PBBs)	Polybrominated diphenyl ethers (PBDEs)
PCB and Components	X	O	O	O	O	O
Wires & Connectors for Ext.Connections	X	O	O	O	O	O
Chassis	O	O	O	O	O	O
CPU & RAM	X	O	O	O	O	O
HDD Drive	X	O	O	O	O	O
LCD Module	X	X	O	O	O	O
Optical Drive	X	O	O	O	O	O
Touch Control Module	X	O	O	O	O	O
PSU	X	O	O	O	O	O
Battery	X	O	O	O	O	O

This form is prepared in compliance with the provisions of SJ/T 11364.

O: The level of toxic or hazardous materials present in this component and its parts is below the limit specified by GB/T 26572.

X: The level of toxic of hazardous materials present in the component exceed the limits specified by GB/T 26572, but is still in compliance with EU Directive 2011/65/EU (RoHS 2).

Notes:

1. The Environment Friendly Use Period indicated by labelling on this product is applicable only to use under normal conditions.
2. Individual components including the CPU, RAM/memory, HDD, optical drive, and PSU are optional.
3. LCD Module and Touch Control Module only applies to certain products which feature these components.

# Table of Contents

---

<b>Chapter 1 - Product Specifications</b> .....	<b>1</b>
1.1 Specifications .....	2
1.2 Product Notice .....	4
<b>Chapter 2 – Hardware Information</b> .....	<b>5</b>
2.1 Dimensions .....	6
2.2 Jumpers and connectors.....	8
2.3 List of Jumpers .....	9
2.3.1 Setting Jumpers .....	9
2.3.2 AT/ATX Mode Select (CN14 Pins 7-8).....	10
2.4 List of Connectors.....	11
2.4.1 DC Power In Connector (CN1).....	12
2.4.2 LAN RJ45 Port (CN2/CN3/CN4/CN5/CN6).....	12
2.4.3 USB 2.0 Connector for Flash Image (CN7) .....	13
2.4.4 Jetson TX2 NX CPU Module Connector (CN11).....	14
2.4.5 RTC Battery Connector (CN13).....	16
2.4.6 Front Panel Connector (CN14).....	16
2.4.7 HDMI Connector (CN16).....	17
2.4.8 USB 3.0 Connector (CN17/18).....	18
2.4.9 COM Port Connector (CN19/20).....	19
2.4.10 SATA Connector (CN25).....	20
2.5 Hardware Assembly .....	21
2.5.1 Chassis Assembly.....	21
2.5.2 Wall-mount Assembly .....	23
2.5.3 2.5" SATA Drive Assembly (A4 SKU) .....	24
<b>Chapter 3 – OS Flash Guide</b> .....	<b>25</b>
3.1 Flash OS Image to System.....	26

3.1.1	Introduction .....	26
3.1.2	Before You Begin .....	27
3.1.3	Flash Image to Board .....	28
<b>Appendix A – Glue Removal Procedure .....</b>		<b>30</b>
A.1	Removing Glue from Your System .....	31

# Chapter 1

---

Product Specifications

## 1.1 Specifications

---

### System

AI Accelerator	NVIDIA® Jetson™ TX2 NX
CPU	NVIDIA® Denver 2 (Dual-Core) Processor & ARM® Cortex® -A57 MPCore (Quad-Core) Processor
System Memory	4GB 128-bit LPDDR4 @ 1600 MHz
Storage Device	eMMC 5.1 16GB Micro SD card slot x 1 2.5" SATA drive bay x 1 (A4 SKU only)
Display Interface	HDMI Type A x 1 for HDMI 2.0
Ethernet	RJ-45 x 5 for GbE LAN
I/O	USB Type A x 4 for USB3.2 Gen 1 DB-9 x 2 for RS-232 HDMI Type A x 1 for HDMI 2.0 microSD slot x 1 Micro USB x 1 for O.S Flash Recovery button x 1 Power button with power LED x 1 Antenna opening x 2
Expansion	SATA III Port x 1 for 2.5" drive (A4 SKU only)
Indicator	Power LED x 1
OS Support	Ubuntu 18.04 with NVIDIA JetPack 4.5.1

## Power Supply

**Power Requirement** DC 10V~24V 2-pin terminal block ATX mode

## Mechanical

**Mounting** Wall mount kit

**Dimensions (W x D x H)**  
**A3 SKU:** 6.92" x 3.94" x 1.54" (175.8mm x 100.0mm x 39.0mm)  
**A4 SKU:** 6.92" x 3.94" x 2.41" (175.8mm x 100.0mm x 61.3mm)

**Gross Weight**  
**A3 SKU:** 2.9 lbs. (1.3kg)  
**A4 SKU:** 3.5 lbs. (1.6kg)

**Net Weight**  
**A3 SKU:** 1.5 lbs. (0.67kg)  
**A4 SKU:** 2.0 lbs. (0.91kg)

## Environmental

**Operating Temperature**  
**A3 SKU:** -13°F ~ 149°F (-25°C ~ 65°C) according to IEC60068-2 with 0.5 m/s airflow  
**A4 SKU:** -13°F ~ 158°F (-25°C ~ 70°C) according to IEC60068-2 with 0.5 m/s airflow

**Storage Temperature** -40°F ~ 176°F (-40°C ~ 80°C)

**Storage Humidity** 5 ~ 95% @ 40°C, non-condensing

**Anti-Vibration** 3.5Grm / 5~500Hz / operation (eMMC, MicroSD, or SSD)

**Anti-Shock** 50G peak acceleration (11 msec. duration, eMMC, microSD, or SSD)

**Drop Testing** 76 cm (1 corner, 3 edge, 6 surface)

**Certification** CE / FCC class A

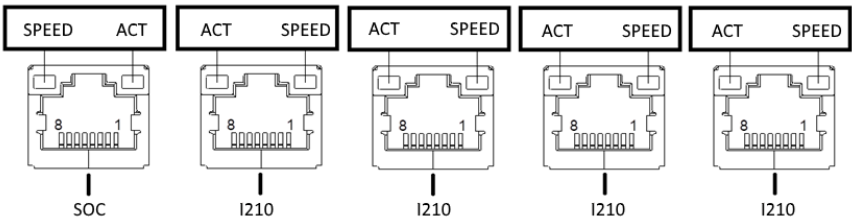
## 1.2 Product Notice

**Micro-USB:** Micro-USB port is intended for flashing image only.

**USB ports:** USB ports do not support USB DVD-ROM because of file system.

**Model Differences:** The BOXER-8230AI has two model SKUs, the BOXER-8230AI-A3 and BOXER-8230AI-A4, referenced as A3 SKU and A4 SKU, respectively. The key difference in the models is the A4 SKU features a 2.5" SATA drive bay and taller fins for heat dispersal, making the system taller overall than the A3 SKU. The A3 SKU lacks the drive bay and features shorter fins, making the system more compact. If you are still unsure which model SKU you have, contact your AAEMON representative for assistance.

### LAN Indicator Behavior





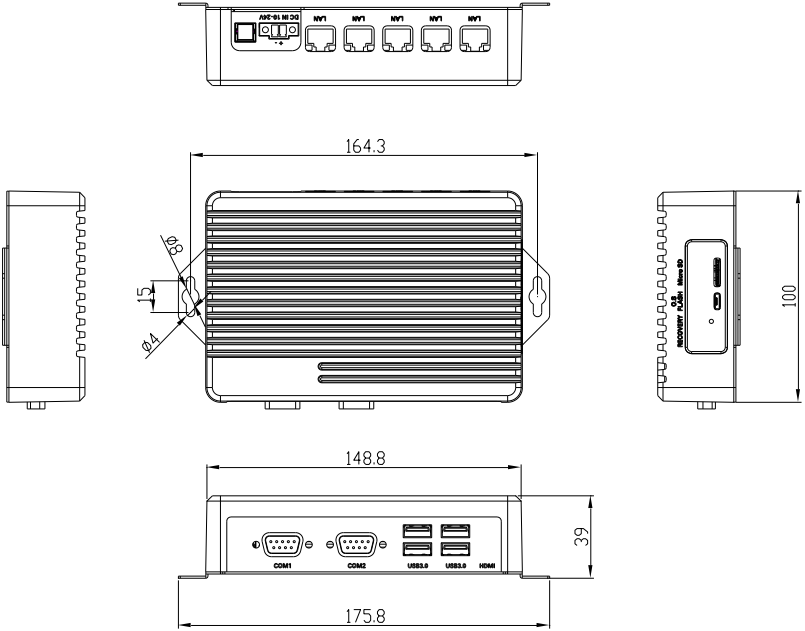
# Chapter 2

---

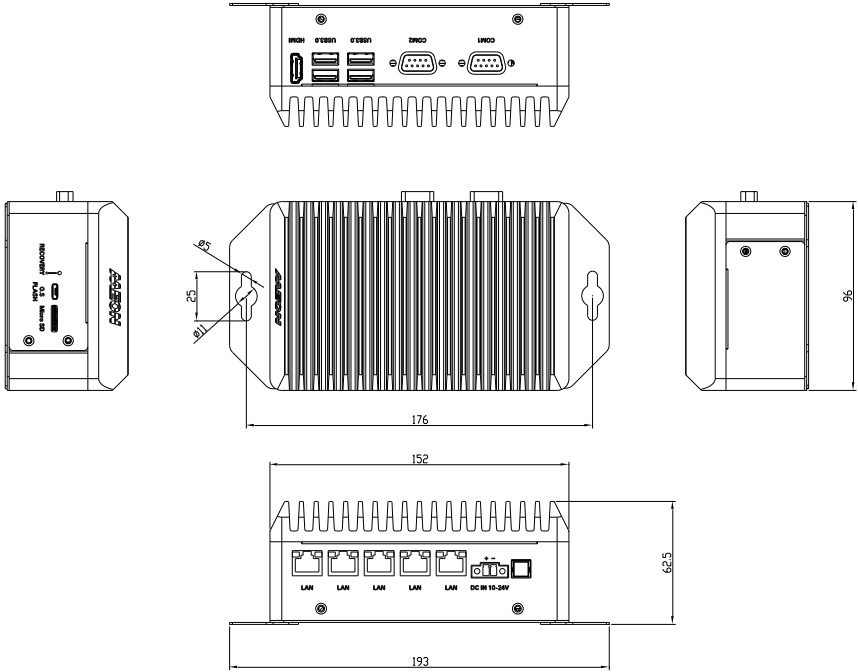
Hardware Information

## 2.1 Dimensions

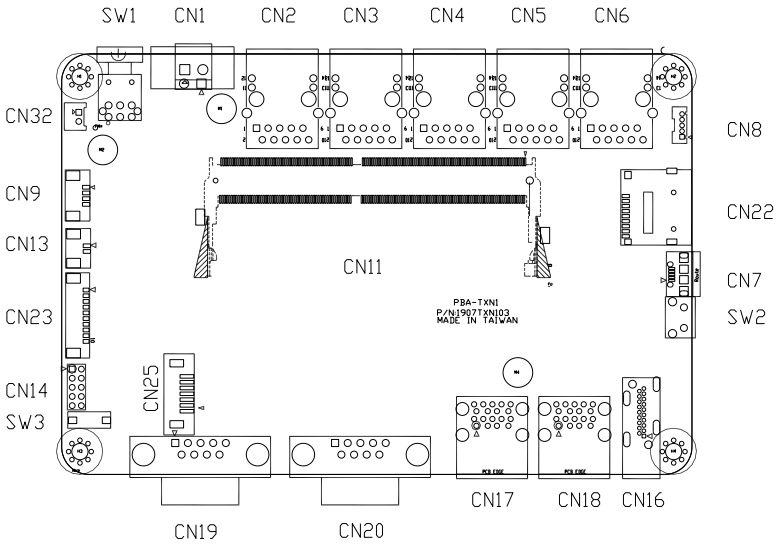
### BOXER-8230AI-A3



# BOXER-8230AI-A4



## 2.2 Jumpers and connectors



## 2.3 List of Jumpers

The board has a number of jumpers that allow you to configure your system to suit your application.

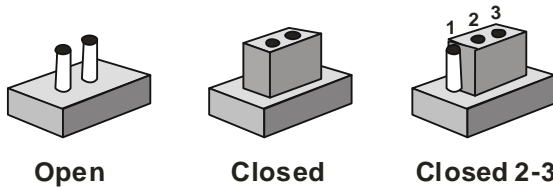
The table below shows the function of each of the board's jumpers

Label	Function
CN14 (Pin 7-8)	AT/ATX mode select

### 2.3.1 Setting Jumpers

You can configure your system to match the needs of your application by setting jumpers. A jumper is the simplest kind of electric switch. It consists of two metal pins and a small metal clip (often protected by a plastic cover) that slides over the pins to connect them. To “close” a jumper you connect the pins with the clip.

To “open” a jumper you remove the clip. Sometimes a jumper will have three pins, labeled 1, 2 and 3. In this case you would connect either pins 1 and 2 or 2 and 3.



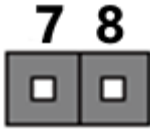
A pair of needle-nose pliers may be helpful when working with jumpers.

If you have any questions about the best hardware configuration for your application, contact your local distributor or sales representative before you make any changes.

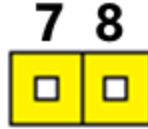
Generally, you simply need a standard cable to make most connections.

### 2.3.2 AT/ATX Mode Select (CN14 Pins 7-8)

The AT/ATX Mode Select functions by connecting pins 7 and 8 of CN14. To prevent damage to the system, do not connect pins 7 and 8 to any other pin.



Open – AT Mode



Closed – ATX Mode  
(Default)

CN14 pins 7-8	Function
7-8 Open	AT Power Mode
7-8 Closed	ATX Power Mode (Default)

## 2.4 List of Connectors

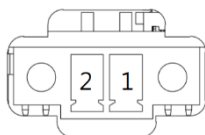
The board has a number of connectors that allow you to configure your system to suit your application.

The table below shows the function of each of the board's connectors

Label	Function
CN1	DC Power In Connector
CN2	Jetson TX2 NX Gigabit LAN Connector
CN3	i210AT Gigabit LAN Connector
CN4	i210AT Gigabit LAN Connector
CN5	i210AT Gigabit LAN Connector
CN6	i210AT Gigabit LAN Connector
CN7	USB2.0 Connector for Flash Image
CN8	USB2.0 Connector
CN9	FAN Connector
CN11	Jetson TX2 NX CPU module connector
CN13	RTC Battery Connector
CN14	Front Panel Connector
CN15	Debug UART/I2C
CN16	HDMI connector
CN17	USB3.0 Connector
CN18	USB3.0 Connector
CN19	COM 1 Connector (/dev/THS1)
CN20	COM 2 Connector (/dev/THS0)
CN23	GPIO Connector for internal Debug
CN25	SATA Connector (A4 SKU Only)
CN32	SATA Power Connector (A4 SKU Only)
SW1	Power Switch

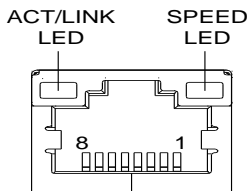
Label	Function
SW2	Recovery Switch
SW3	Reset Switch

### 2.4.1 DC Power In Connector (CN1)



Pin	Signal	Pin	Signal
1	PWR IN	2	GND

### 2.4.2 LAN RJ45 Port (CN2/CN3/CN4/CN5/CN6)

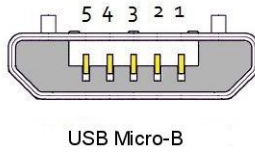


Pin	Signal	Pin	Signal
1	MDI0+	2	MDI0-
3	MDI1+	4	MDI1-
5	MDI2+	6	MDI2-
7	MDI3+	8	MDI3-

**Note:** CN2 is the Jetson TX2 NX Gigabit LAN port. Ports CN3, CN4, CN5, and CN6 are i210AT Gigabit LAN Ports.



### 2.4.3 USB 2.0 Connector for Flash Image (CN7)



Pin	Signal	Pin	Signal
1		2	USB1-
3	USB1+	4	
5	GND		

## 2.4.4 Jetson TX2 NX CPU Module Connector (CN11)

Module Signal Name	Pin #	Pin #	Module Signal Name
GND	1	2	GND
CS11_D0_N	3	4	CS10_D0_N
CS11_D0_P	5	6	CS10_D0_P
GND	7	8	GND
CS11_CLK_N	9	10	CS10_CLK_N
CS11_CLK_P	11	12	CS10_CLK_P
GND	13	14	GND
CS11_D1_N	15	16	CS10_D1_N
CS11_D1_P	17	18	CS10_D1_P
GND	19	20	GND
CS13_D0_N	21	22	CS12_D0_N
CS13_D0_P	23	24	CS12_D0_P
GND	25	26	GND
CS13_CLK_N	27	28	CS12_CLK_N
CS13_CLK_P	29	30	CS12_CLK_P
GND	31	32	GND
CS13_D1_N	33	34	CS12_D1_N
CS13_D1_P	35	36	CS12_D1_P
GND	37	38	GND
DPO_TXD0_N	39	40	CS14_D2_N
DPO_TXD0_P	41	42	CS14_D2_P
GND	43	44	GND
DPO_TXD1_N	45	46	CS14_D0_N
DPO_TXD1_P	47	48	CS14_D0_P
GND	49	50	GND
DPO_TXD2_N	51	52	CS14_CLK_N
DPO_TXD2_P	53	54	CS14_CLK_P
GND	55	56	GND
DPO_TXD3_N	57	58	CS14_D1_N
DPO_TXD3_P	59	60	CS14_D1_P
GND	61	62	GND
DP1_TXD0_N	63	64	CS14_D3_N
DP1_TXD0_P	65	66	CS14_D3_P
GND	67	68	GND
DP1_TXD1_N	69	70	DSI_D0_N
DP1_TXD1_P	71	72	DSI_D0_P
GND	73	74	GND
DP1_TXD2_N	75	76	DSI_CLK_N

Module Signal Name	Pin #	Pin #	Module Signal Name
DP1_TXD2_P	77	78	DSI_CLK_P
GND	79	80	GND
DP1_TXD3_N	81	82	DSI_D1_N
DP1_TXD3_P	83	84	DSI_D1_P
GND	85	86	GND
GPIO00	87	88	DPO_HPD
SPI0_MOSI	89	90	DPO_AUX_N
SPI0_SCK	91	92	DPO_AUX_P
SPI0_MISO	93	94	HDMI_CEC
SPI0_CS0*	95	96	DP1_HPD
SPI0_CS1*	97	98	DP1_AUX_N
UART0_TXD	99	100	DP1_AUX_P
UART0_RXD	101	102	GND
UART0_RTS*	103	104	SPI1_MOSI
UART0_CTS*	105	106	SPI1_SCK
GND	107	108	SPI1_MISO
USB0_D_N	109	110	SPI1_CS0*
USB0_D_P	111	112	SPI1_CS1*
GND	113	114	CAM0_PWDN
USB1_D_N	115	116	CAM0_MCLK
USB1_D_P	117	118	GPIO01
GND	119	120	CAM1_PWDN
USB2_D_N	121	122	CAM1_MCLK
USB2_D_P	123	124	GPIO02
GND	125	126	GPIO03
GPIO04	127	128	GPIO05
GND	129	130	GPIO06
PCIE0_RX0_N	131	132	GND

Module Signal Name	Pin #	Pin #	Module Signal Name
PCIE0_RX0_P	133	134	PCIE0_TX0_N
GND	135	136	PCIE0_TX0_P
PCIE0_RX1_N	137	138	GND
PCIE0_RX1_P	139	140	PCIE0_TX1_N
GND	141	142	PCIE0_TX1_P
(CAN_RX)RSVD	143	144	GND
KEY	KEY	KEY	KEY
(CAN_TX)RSVD	145	146	GND
GND	147	148	PCIE0_TX2_N
PCIE0_RX2_N	149	150	PCIE0_TX2_P
PCIE0_RX2_P	151	152	GND
GND	153	154	PCIE0_TX3_N
PCIE0_RX3_N (RSVD)	155	156	PCIE0_TX3_P
PCIE0_RX3_P (RSVD)	157	158	GND
GND	159	160	PCIE0_CLK_N
USBSS_RX_N	161	162	PCIE0_CLK_P
USBSS_RX_P	163	164	GND
GND	165	166	USBSS_TX_N
(PCIE1_RX0_N)RSVD	167	168	USBSS_TX_P
(PCIE1_RX0_P)RSVD	169	170	GND
GND	171	172	(PCIE1_TX0_N)RSVD
RSVD	173	174	(PCIE1_TX0_N)RSVD
RSVD	175	176	GND
GND	177	178	MOD_SLEEP*
PCIE_WAKE*	179	180	PCIE0_CLKREQ*
PCIE0_RST*	181	182	(PCIE1_CLKREQ*)RSVD
(PCIE1_TX0_N)RSVD	183	184	GBE_MDIO_N
I2C0_SCL	185	186	GBE_MDIO_P
I2C0_SDA	187	188	GBE_LED_LINK
I2C1_SCL	189	190	GBE_MDIO1_N
I2C1_SDA	191	192	GBE_MDIO1_P
I2S0_DOUT	193	194	GBE_LED_ACT
I2S0_DIN	195	196	GBE_MDIO2_N
I2S0_FS	197	198	GBE_MDIO2_P
I2S0_SCLK	199	200	GND
GND	201	202	GBE_MDIO3_N
UART1_TXD	203	204	GBE_MDIO3_P
UART1_RXD	205	206	GPIO07

Module Signal Name	Pin #	Pin #	Module Signal Name
UART1_RTS*	207	208	GPIO08
UART1_CTS*	209	210	CLK_32K_OUT
GPIO09	211	212	GPIO10
CAM_I2C_SCL	213	214	FORCE_RECOVERY*
CAM_I2C_SDA	215	216	GPIO11
GND	217	218	GPIO12
SDMMC_DAT0	219	220	I2S1_DOUT
SDMMC_DAT1	221	222	I2S1_DIN
SDMMC_DAT2	223	224	I2S1_FS
SDMMC_DAT3	225	226	I2S1_SCLK
SDMMC_CMD	227	228	GPIO13
SDMMC_CLK	229	230	GPIO14
GND	231	232	I2C2_SCL
SHUTDOWN_REQ*	233	234	I2C2_SDA
PMIC_BBAT	235	236	UART2_TXD
POWER_EN	237	238	UART2_RXD
SYS_RESET*	239	240	SLEEP/WAKE*
GND	241	242	GND
GND	243	244	GND
GND	245	246	GND
GND	247	248	GND
GND	249	250	GND
VDD_IN	251	252	VDD_IN
VDD_IN	253	254	VDD_IN
VDD_IN	255	256	VDD_IN
VDD_IN	257	258	VDD_IN
VDD_IN	259	260	VDD_IN

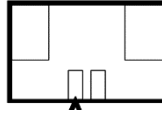
Legend

Ground

Power

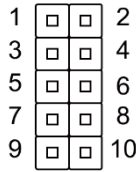
Reserved - must be left unconnected

### 2.4.5 RTC Battery Connector (CN13)



Pin	Signal	Pin	Signal
1	+3V	2	GND

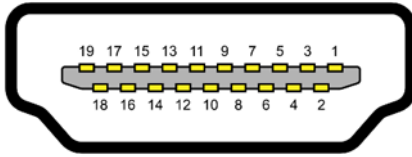
### 2.4.6 Front Panel Connector (CN14)



Pin	Signal	Pin	Signal
1	Power Button	2	GND
3	Recovery	4	GND
5	Reset	6	GND
7	Latch Set	8	Latch Set
9	PWR LED	10	+5V

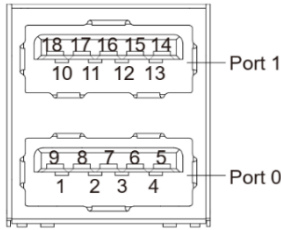
**Note:** Pin 7 and 8 are used for setting AT/ATX Power Mode. See **Chapter 2.3.2** for information. To prevent damage to your system, do not connect Pins 7 and 8 with any other pin.

## 2.4.7 HDMI Connector (CN16)



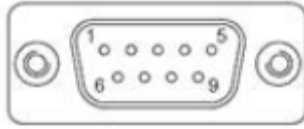
Pin	Signal	Pin	Signal
1	HDMI_DATA2_P	2	GND
3	HDMI_DATA2_N	4	HDMI_DATA1_P
5	GND	6	HDMI_DATA1_N
7	HDMI_DATA0_P	8	GND
9	HDMI_DATA0_N	10	HDMI_CLK_P
11	GND	12	HDMI_CLK_N
13	NC	14	NC
15	HDMI_SCL	16	HDMI_SDA
17	GND	18	HDMI_PWR
19	HDMI_HDP		

## 2.4.8 USB 3.0 Connector (CN17/18)



Pin	Signal	Pin	Signal
U1	VBUS_1	U10	VBUS_2
U2	(A)D-	U11	(B)D-
U3	(A)D+	U12	(B)D+
U4	GND	U13	GND
U5	(A)SSRX-	U14	(B)SSRX-
U6	(A)SSRX+	U15	(B)SSRX+
U7	GND	U16	GND
U8	(A)SSTX-	U17	(B)SSTX-
U9	(A)SSTX+	U18	(B)SSTX+

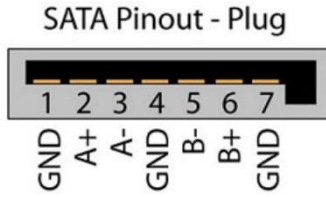
## 2.4.9 COM Port Connector (CN19/20)



Pin	RS-232	TTL UART
1		UART RXD
2	RXD	
3	TXD	
4		
5	GND	
6		UART TXD
7	RTS	
8	CTS	
9		

**Note:** When using UART mode, RS-232 Receiver U21, U22 must be removed.

## 2.4.10 SATA Connector (CN25)



Pin	Signal	Pin	Signal
1	GND	2	SATA TX+
3	SATA TX-	4	GND
5	SATA RX-	6	SATA RX+
7	GND		

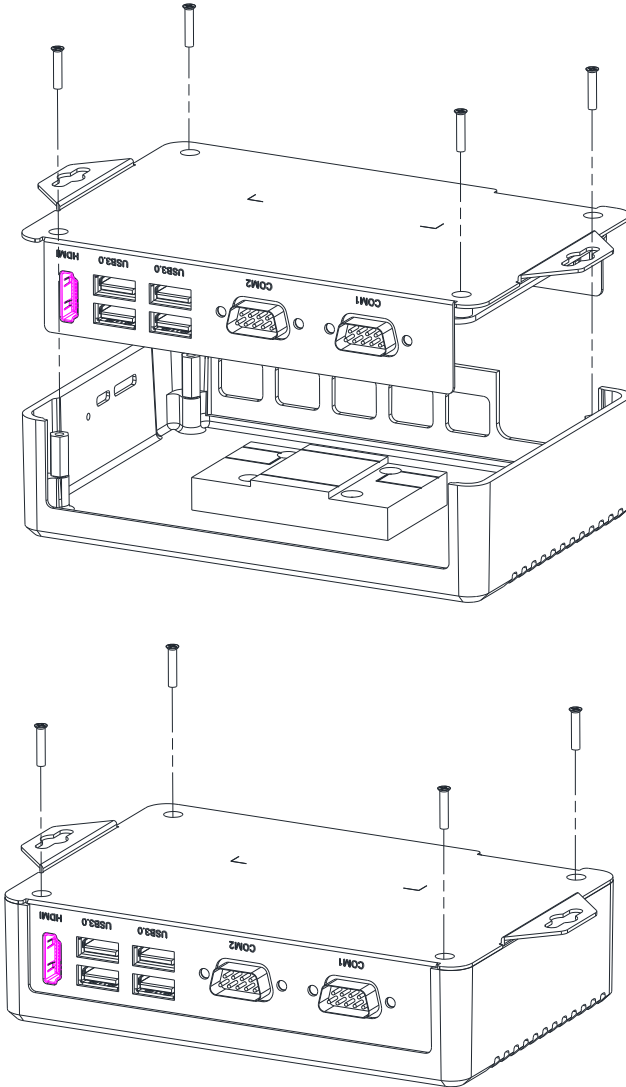
**Note:** SATA Connector is a feature only for the A4 SKU model.



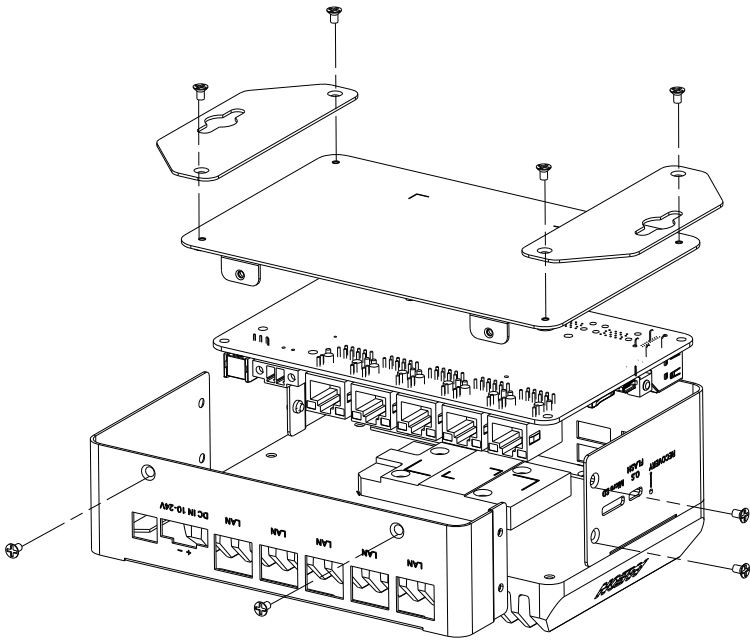
## 2.5 Hardware Assembly

### 2.5.1 Chassis Assembly

BOXER-8230AI-A3

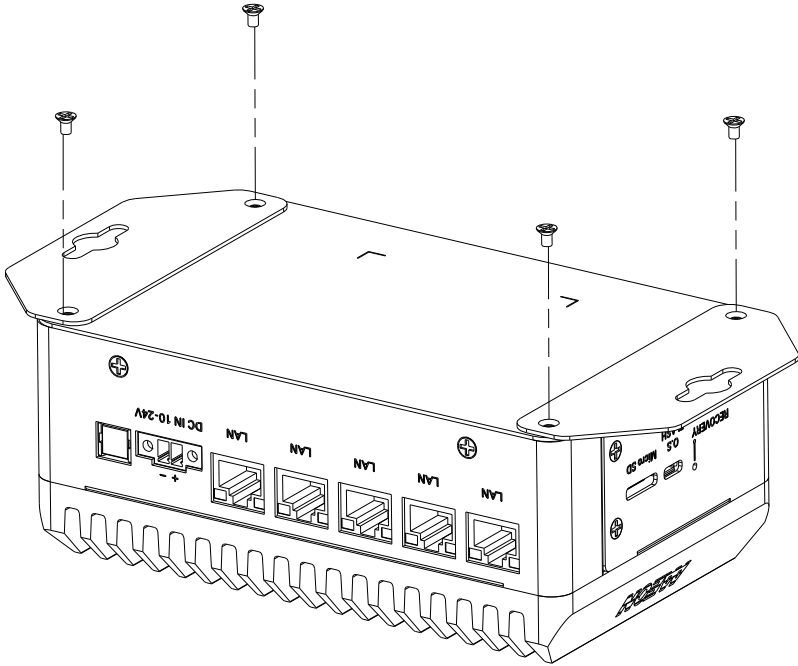


BOXER-8230AI-A4

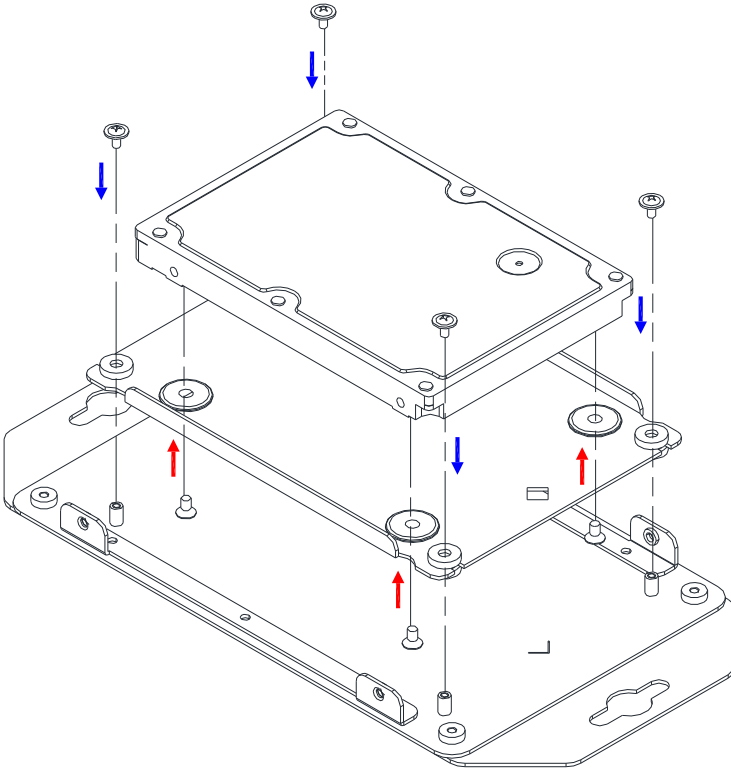


## 2.5.2 Wall-mount Assembly

BOXER-8230AI-A4



### 2.5.3 2.5" SATA Drive Assembly (A4 SKU)



# Chapter 3

---

OS Flash Guide

## 3.1 Flash OS Image to System

---

### 3.1.1 Introduction

---

This chapter details the steps to flashing the operating system to your BOXER-8230AI NVIDIA Jetson TX2 NX system. The operating system image can be downloaded from the product page at:

<https://www.aaeon.com/en/p/ai-edge-jetson-tx2-nx-boxer-8230ai>

After downloading the file, the filename will be formatted as follows:

**Ubuntu\_18.04\_{OS\_IF}.\_{PLF\_IF}.\_{PJ\_IF}.\_{BN}.tar.gz**

**{OS\_IF}** is OS Information. For example, the entry UB1804X decodes as UB for Ubuntu, 1804 for version 18.04, and X for desktop version.

**{PLF\_IF}** is Platform Information and may be coded as NV06.

**{PJ\_IF}** is Project Information and displays which model this image pertains to. Make sure it says BOXER-8230AI.

**{BN}** is Build Number, such as 0, 1, 2, 3 and so on.

For example, build number 4 will be named as:

**Ubuntu\_18.04\_UB1804X.NV06.BOXER-8230AI.4.tar.gz**

If you have any questions or need help, please contact AAEON support or your AAEON representative for assistance.

### 3.1.2 Before You Begin

Before beginning the process ensure you have the following:

- One host PC with operating system Ubuntu 16.04 or 18.04
- Operating System image downloaded to host computer
- USB Cable with Micro USB connector
- Jetson TX2 NX module; see image below for reference:



Finally, on the Linux host PC, extract the image file you downloaded using the following command in terminal (remember to replace {} with the actual file name):

```
$ tar xzf Ubuntu_18.04_{OS_IF}_{PLF_IF}_{PJ_IF}_{BN}.tar.gz
```

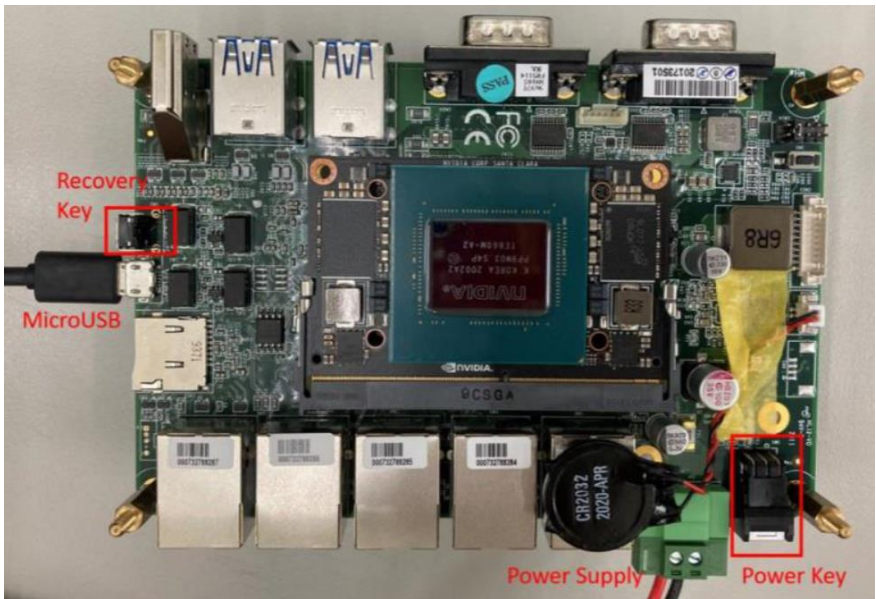
### 3.1.3 Flash Image to Board

---

**Step 1:** Connect the host PC to the BOXER-8230AI with a Micro USB cable.

**Step 2:** Connect the BOXER-8230AI carrier board to the power supply.

**Step 3: Force Recovery Mode:** Press and hold the recovery key, then press the power key. After 2 seconds, release the recovery key. The BOXER-8230AI should enter recovery mode.





**Step 5:** You can use `lsusb` command on host PC to check if the device is in recovery mode:

```
$ lsusb | grep 0955:7c18
```

The system will return the following when in recovery mode:

```
0955:7c18 Nvidia Corp
```

**Step 6:** In terminal, enter the bootloader folder that you unzipped earlier.

**Step 7:** Run the following command to flash the image:

```
$ sudo ./flashall.sh
```

**Step 8:** Wait for the process to complete.

```
[ 293.2436 Writing partition bmpm-fw-dtb w/ht tegra194-a02-bmpm-p3668-a00_sigheader.dtb.encrypt
303.9612 [.....] 100%
303.9665 Writing partition bmpm-fw-dtb_b w/ht tegra194-a02-bmpm-p3668-a00_sigheader.dtb.encrypt
306.1408 [.....] 100%
306.1458 Writing partition VER w/ht qspl_bootblob_ver.txt
308.3194 [.....] 100%
308.3208 Writing partition VER_b w/ht qspl_bootblob_ver.txt
308.3323 [.....] 100%
308.3342 Writing partition master_boot_record w/ht mbr_1.3.bin
308.3448 [.....] 100%
308.3460 Writing partition APP w/ht system.img
308.3520 [.....] 100%
1182.8634 Writing partition kernel w/ht boot_sigheader.img.encrypt
1182.8639 [.....] 100%
1189.4815 Writing partition kernel_b w/ht boot_sigheader.img.encrypt
1189.5005 [.....] 100%
1191.1915 Writing partition kernel-dtb w/ht tegra194-p3668-all-p3509-0000_sigheader.dtb.encrypt
1191.2108 [.....] 100%
1191.4403 Writing partition kernel-dtb_b w/ht tegra194-p3668-all-p3509-0000_sigheader.dtb.encrypt
1191.4504 [.....] 100%
1191.9762
1192.1310 tegradevflash_v2 --write BCT br_bct_BR.bct
1192.1320 Bootloader version 01.00.0000
1192.6810 Writing partition BCT w/ht br_bct_BR.bct
1192.6919 [.....] 100%
1192.9400
1192.9972 tegradevflash_v2 --write MB1_BCT mb1_cold_boot_bct_MB1_sigheader.bct.encrypt
1192.9984 Bootloader version 01.00.0000
1193.5449 Writing partition MB1_BCT w/ht mb1_cold_boot_bct_MB1_sigheader.bct.encrypt
1193.5455 [.....] 100%
1194.1843
1194.1856 tegradevflash_v2 --write MB1_BCT_b mb1_cold_boot_bct_MB1_sigheader.bct.encrypt
1194.1866 Bootloader version 01.00.0000
1194.7332 Writing partition MB1_BCT_b w/ht mb1_cold_boot_bct_MB1_sigheader.bct.encrypt
1194.7340 [.....] 100%
1195.1284
1195.1376 tegradevflash_v2 --write MEM_BCT men_coldboot_sigheader.bct.encrypt
1195.1379 Bootloader version 01.00.0000
1195.6850 Writing partition MEM_BCT w/ht men_coldboot_sigheader.bct.encrypt
1195.6855 [.....] 100%
1198.2719
1198.2730 tegradevflash_v2 --write MEM_BCT_b men_coldboot_sigheader.bct.encrypt
1198.2738 Bootloader version 01.00.0000
1198.8211 Writing partition MEM_BCT_b w/ht men_coldboot_sigheader.bct.encrypt
1198.8217 [.....] 100%
1201.3157
1201.3158 Flashing completed

[ 1201.3160 Coldbooting the device
1201.5699 tegrarcv2 --1smb2
1202.8176
1202.8199 tegradevflash_v2 --reboot coldboot
1202.8221 Bootloader version 01.00.0000
1203.3858
*** The target t186ref has been flashed successfully. ***
Reset the board to boot from internal eMMC.
```

# Appendix A

---

## Glue Removal Procedure

## A.1 Removing Glue from Your System

---

To protect components from damage and ensure proper operation out of the box, glue may have been applied to some cables or connectors to keep them in place during shipping. This glue must be removed before attempting to swap components or perform maintenance. This section details the steps needed to remove the glue.

Before performing any kind of system maintenance, ensure the system is shut down (not in sleep or hibernate mode) and the power cable has been removed. Follow steps in Chapter 2 to access the components inside.

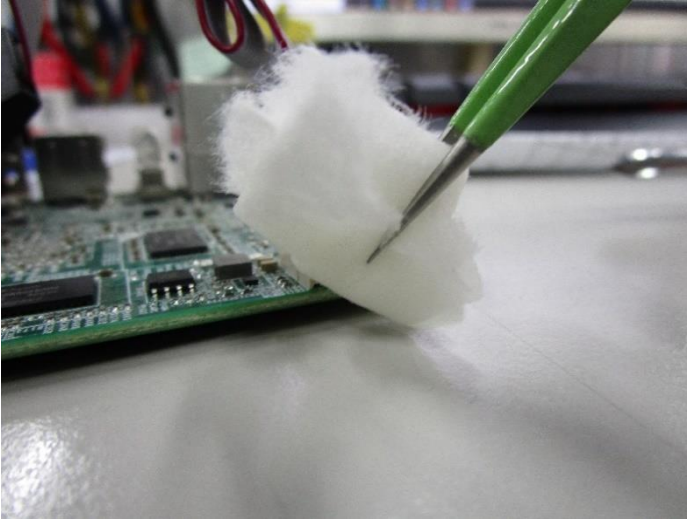
You will need the following items for this step:

- Cotton or cotton swab
- Anti-static tweezers
- An alcohol solution that is at least 99.5% alcohol (ethanol solution or denatured alcohol). AAEON recommends using an eye dropper or a bottle with a nozzle as in the picture below:

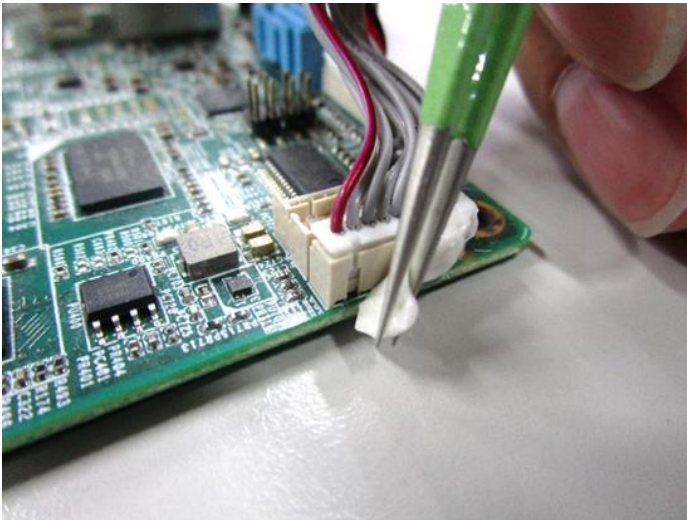


**Step 1:** Using an eyedropper or bottle as shown above, apply a few drops of alcohol to the glue.

**Step 2:** Allow the alcohol to soak for 10 seconds, then use a cotton swab or cotton with anti-static tweezers to evenly rub the alcohol over the glue.



**Step 3:** Let soak for 10 more seconds, then use anti-static tweezers to remove the glue.



If you encounter any issues or need support, please contact your AAEON representative or visit our [Support Page](#) at AAEON.com