

BOXER-8170AI

Compact Fanless Embedded AI@Edge Box PC

User's Manual 1st Ed

Copyright Notice

This document is copyrighted, 2019. All rights are reserved. The original manufacturer reserves the right to make improvements to the products described in this manual at any time without notice.

No part of this manual may be reproduced, copied, translated, or transmitted in any form or by any means without the prior written permission of the original manufacturer. Information provided in this manual is intended to be accurate and reliable. However, the original manufacturer assumes no responsibility for its use, or for any infringements upon the rights of third parties that may result from its use.

The material in this document is for product information only and is subject to change without notice. While reasonable efforts have been made in the preparation of this document to assure its accuracy, AAEMON assumes no liabilities resulting from errors or omissions in this document, or from the use of the information contained herein.

AAEMON reserves the right to make changes in the product design without notice to its users.

Acknowledgement

All other products' name or trademarks are properties of their respective owners.

- NVIDIA, the NVIDIA logo, and Jetson are trademarks of the NVIDIA Corporation
- Microsoft Windows is a registered trademark of Microsoft Corp.
- Intel, Pentium, Celeron, and Xeon are registered trademarks of Intel Corporation
- Atom is a trademark of Intel Corporation
- ITE is a trademark of Integrated Technology Express, Inc.
- IBM and VGA are trademarks of International Business Machines Corporation.
- Ubuntu is a registered trademark of Canonical

All other product names or trademarks are properties of their respective owners.

Packing List

Before setting up your product, please make sure the following items have been shipped:

Item	Quantity
● BOXER-8170AI	1
● Power Connector	1
● Screw Pack	1
● Wallmount bracket	2

If any of these items are missing or damaged, please contact your distributor or sales representative immediately.

About this Document

This User's Manual contains all the essential information, such as detailed descriptions and explanations on the product's hardware and software features (if any), its specifications, dimensions, jumper/connector settings/definitions, and driver installation instructions (if any), to facilitate users in setting up their product.

Users may refer to the product page on AAEON.com for the latest version of this document.

Safety Precautions

Please read the following safety instructions carefully. It is advised that you keep this manual for future references

1. All cautions and warnings on the device should be noted.
2. All cables and adapters supplied by AAEON are certified and in accordance with the material safety laws and regulations of the country of sale. Do not use any cables or adapters not supplied by AAEON to prevent system malfunction or fires.
3. Make sure the power source matches the power rating of the device.
4. Position the power cord so that people cannot step on it. Do not place anything over the power cord.
5. Always completely disconnect the power before working on the system's hardware.
6. No connections should be made when the system is powered as a sudden rush of power may damage sensitive electronic components.
7. If the device is not to be used for a long time, disconnect it from the power supply to avoid damage by transient over-voltage.
8. Always disconnect this device from any AC supply before cleaning.
9. While cleaning, use a damp cloth instead of liquid or spray detergents.
10. Make sure the device is installed near a power outlet and is easily accessible.
11. Keep this device away from humidity.
12. Place the device on a solid surface during installation to prevent falls
13. Do not cover the openings on the device to ensure optimal heat dissipation.
14. Watch out for high temperatures when the system is running.
15. Do not touch the heat sink or heat spreader when the system is running
16. Never pour any liquid into the openings. This could cause fire or electric shock.

17. As most electronic components are sensitive to static electrical charge, be sure to ground yourself to prevent static charge when installing the internal components. Use a grounding wrist strap and contain all electronic components in any static-shielded containers.
18. If any of the following situations arises, please the contact our service personnel:
 - i. Damaged power cord or plug
 - ii. Liquid intrusion to the device
 - iii. Exposure to moisture
 - iv. Device is not working as expected or in a manner as described in this manual
 - v. The device is dropped or damaged
 - vi. Any obvious signs of damage displayed on the device
19. **DO NOT LEAVE THIS DEVICE IN AN UNCONTROLLED ENVIRONMENT WITH TEMPERATURES BEYOND THE DEVICE'S PERMITTED STORAGE TEMPERATURES (SEE CHAPTER 1) TO PREVENT DAMAGE.**

Warning!



This device complies with Part 15 FCC Rules. Operation is subject to the following two conditions: (1) this device may not cause harmful interference, and (2) this device must accept any interference received including interference that may cause undesired operation.

Caution:

There is a danger of explosion if the battery is incorrectly replaced. Replace only with the same or equivalent type recommended by the manufacturer. Dispose of used batteries according to the manufacturer's instructions and your local government's recycling or disposal directives.

Attention:

Il y a un risque d'explosion si la batterie est remplacée de façon incorrecte. Ne la remplacer qu'avec le même modèle ou équivalent recommandé par le constructeur. Recycler les batteries usées en accord avec les instructions du fabricant et les directives gouvernementales de recyclage.

产品中有毒有害物质或元素名称及含量

AAEON System

QO4-381 Rev.A0

部件名称	有毒有害物质或元素					
	铅 (Pb)	汞 (Hg)	镉 (Cd)	六价铬 (Cr(VI))	多溴联苯 (PBB)	多溴二苯醚 (PBDE)
印刷电路板 及其电子组件	×	○	○	○	○	○
外部信号 连接器及线材	×	○	○	○	○	○
外壳	○	○	○	○	○	○
中央处理器 与内存	×	○	○	○	○	○
硬盘	×	○	○	○	○	○
液晶模块	×	×	○	○	○	○
光驱	×	○	○	○	○	○
触控模块	×	○	○	○	○	○
电源	×	○	○	○	○	○
电池	×	○	○	○	○	○

本表格依据 SJ/T 11364 的规定编制。

○：表示该有毒有害物质在该部件所有均质材料中的含量均在 GB/T 26572 标准规定的限量要求以下。

×：表示该有害物质的某一均质材料超出了 GB/T 26572 的限量要求，然而该部件仍符合欧盟指令 2011/65/EU 的规范。

备注：

- 一、此产品所标示之环保使用期限，系指在一般正常使用状况下。
- 二、上述部件物质中央处理器、内存、硬盘、光驱、电源为选购品。
- 三、上述部件物质液晶模块、触控模块仅一体机产品适用。

Hazardous and Toxic Materials List

AAEON System

QO4-381 Rev.A0

Component Name	Hazardous or Toxic Materials or Elements					
	Lead (Pb)	Mercury (Hg)	Cadmium (Cd)	Hexavalent Chromium (Cr(VI))	Polybrominated biphenyls (PBBs)	Polybrominated diphenyl ethers (PBDEs)
PCB and Components	X	○	○	○	○	○
Wires & Connectors for Ext.Connections	X	○	○	○	○	○
Chassis	○	○	○	○	○	○
CPU & RAM	X	○	○	○	○	○
HDD Drive	X	○	○	○	○	○
LCD Module	X	X	○	○	○	○
Optical Drive	X	○	○	○	○	○
Touch Control Module	X	○	○	○	○	○
PSU	X	○	○	○	○	○
Battery	X	○	○	○	○	○

This form is prepared in compliance with the provisions of SJ/T 11364.

○: The level of toxic or hazardous materials present in this component and its parts is below the limit specified by GB/T 26572.

X: The level of toxic or hazardous materials present in the component exceed the limits specified by GB/T 26572, but is still in compliance with EU Directive 2011/65/EU (RoHS 2).

Notes:

1. The Environment Friendly Use Period indicated by labelling on this product is applicable only to use under normal conditions.
2. Individual components including the CPU, RAM/memory, HDD, optical drive, and PSU are optional.
3. LCD Module and Touch Control Module only applies to certain products which feature these components.

Table of Contents

Chapter 1 - Product Specifications	1
1.1 Specifications	2
1.2 Product Notice	4
Chapter 2 – Hardware Information	5
2.1 Dimensions	6
2.2 Jumpers and connectors.....	9
2.3 List of Jumpers	10
2.3.1 Setting Jumpers	10
2.3.2 Auto Power Button (CN1)	11
2.4 List of Connectors.....	12
2.4.1 HDMI connector (CN2/CN3)	14
2.4.2 SATA PWR Port (CN8).....	14
2.4.3 SATA Port (CN9).....	15
2.4.4 Micro SD (CN10)	15
2.4.5 USB 2.0 OTG connector (CN13).....	16
2.4.6 RTC Connector (CN14)	16
2.4.7 TX2 Module connector (CN15).....	17
2.4.8 USB3.0 connector (CN24/CN25)	18
2.4.9 Power in connector (CN27).....	18
2.4.10 COM port connector (CN28/29).....	19
2.4.11 LAN (RJ-45) Port (LAN1)	20
2.5 Wall Mount Assembly	21
Chapter 3 – OS Flash guide	22
3.1 Force USB Recovery Mode.....	23
3.2 Software & BSP	24

Chapter 1

Product Specifications

1.1 Specifications

System

CPU	HMP Dual Denver 2 + Quad ARM A57
Chipset	N/A
System Memory	8GB LPDDR4
AI Solution	NVidia Jetson TX2
Display Interface	HDMI 2.0 x2
Storage Device	32GB eMMC 5.1 MicroSD
Ethernet	10/100/1000 Base-TX x 1 IEEE 802.3 af PoE LAN x 4
I/O	RJ-45 x 4 for PoE+ (802.af) (Total 60W) IEEE 802.3af PoE x4 60W total power budget HDMI Type A x 2 for HDMI 2.0 USB Type A x 4 for USB 3.0 DB-9 x2 for RS-232/485 (Jump Select) Power On/Off Button x 1 DC-In 2-pin terminal block x 1 USB OTG x 1 12~24V DC-in Power Input x 1 SMA Antenna Holes x 2
Expansion	SATA x 1 (option) USB 2.0 x 1 (option) 2 Channel CANBUS x 1 (option) YUR for Debug x 1

System

Indicator	Power LED
OS Support	Linux (AAEON ACLinux 4.4, Compliance with Ubuntu 16.04)

Power Supply

Power Requirement	12~24V with 2-pin terminal block
-------------------	----------------------------------

Mechanical

Mounting	Wallmount
Dimensions (W x H x D)	180 mm (W) x 48 mm (H) x 136 mm (D)
Gross Weight	6.39 lbs. (2.9 kg)
Net Weight	4.73 lbs. (2.15 kg)

Environmental

Operating Temperature	-20°C ~ 50°C (according to IEC68-2-14 with 0.5 m/s air flow ; with industrial devices)
Storage Temperature	-40°C ~ 80°C
Storage Humidity	5~95% @ 40°C, non-condensing
Anti-Vibration	3 Grms/ 5 ~ 500Hz/ operation
Certification	CE/FCC class A

1.2 Product Notice

OTG: OTG port is ideally for flashing image only.

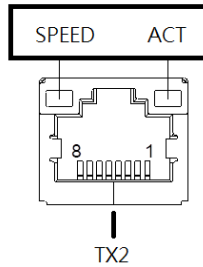
COM1: Support 1.8 meter length cable when baud rate is 115200bps and 15 meter cable when baud rate is 9600bps.

USB ports: USB ports do not support USB DVD-ROM because of file system.

Storage Devices: Operating System must be installed on the eMMC drive. SATA Port can only be used for optional storage expansion drives.

LAN LED Status: LED Status for 10/100 BASE-T is not supported.

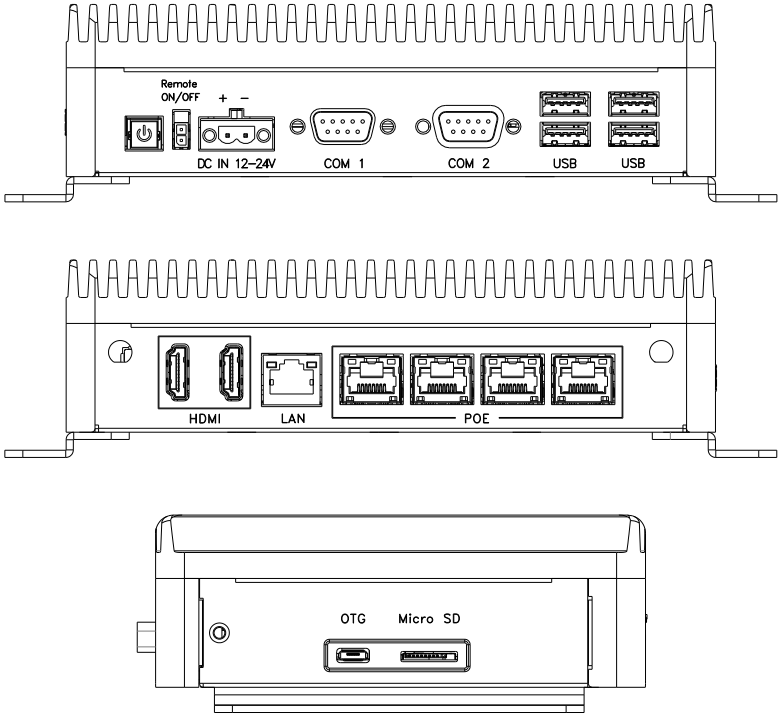
LAN LED Indicator Behavior

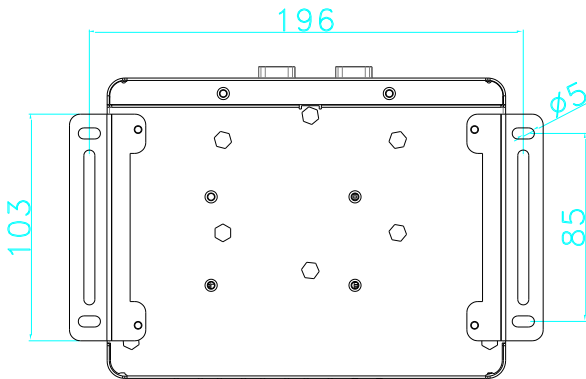
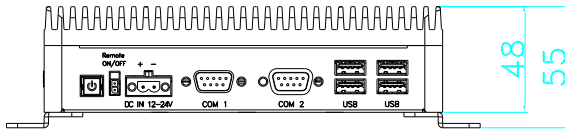
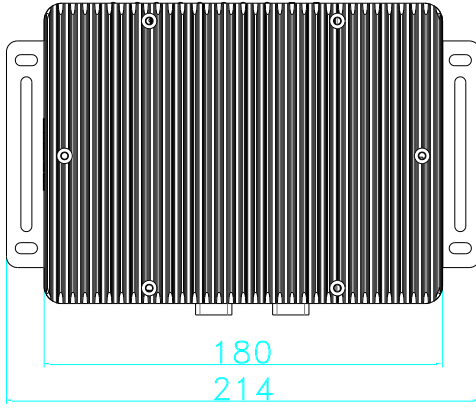


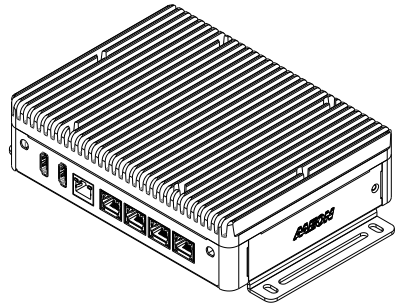
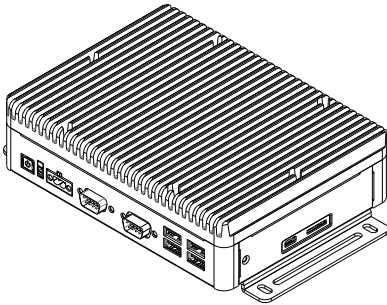
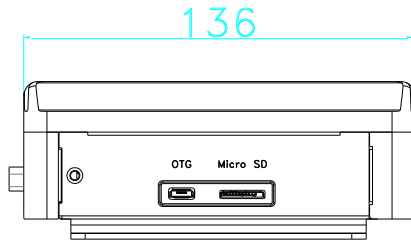
Chapter 2

Hardware Information

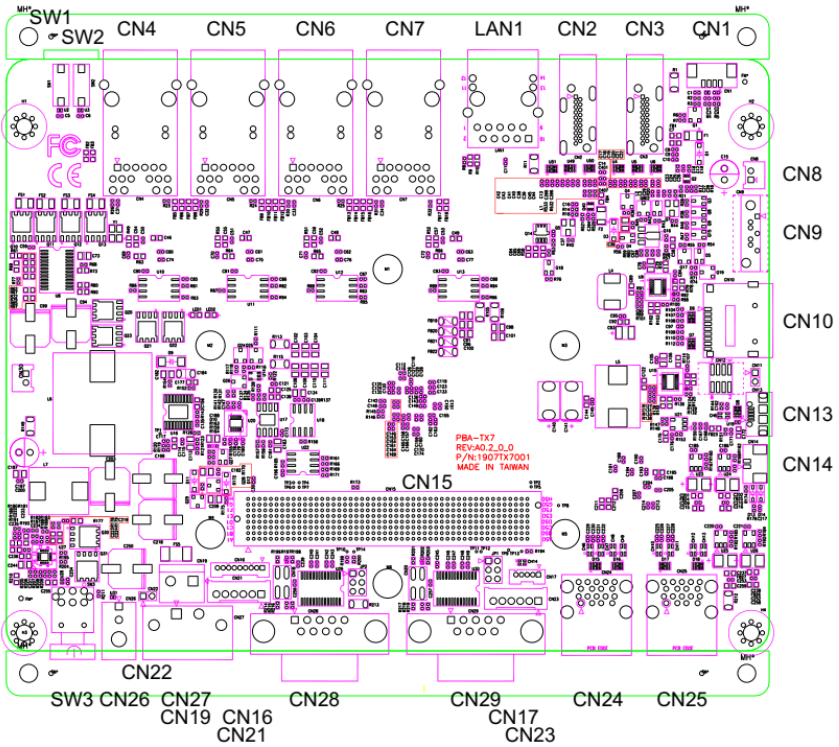
2.1 Dimensions







2.2 Jumpers and connectors



2.3 List of Jumpers

The board has a number of jumpers that allow you to configure your system to suit your application.

The table below shows the function of each of the board's jumpers

Label	Function
CN22	AT mode select

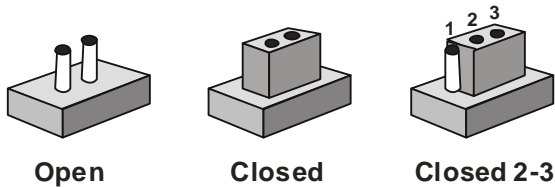
2.3.1 Setting Jumpers

You can configure the board to match the needs of your application by setting jumpers.

A jumper is the simplest kind of electric switch. It consists of two metal pins and a small metal clip (often protected by a plastic cover) that slides over the pins to connect them.

To “close” a jumper you connect the pins with the clip.

To “open” a jumper you remove the clip. Sometimes a jumper will have three pins, labeled 1, 2 and 3. In this case you would connect either pins 1 and 2 or 2 and 3.



A pair of needle-nose pliers may be helpful when working with jumpers.

If you have any doubts about the best hardware configuration for your application, contact your local distributor or sales representative before you make any changes.

Generally, you simply need a standard cable to make most connections.

2.3.2 Auto Power Button (CN1)



Open - ATX (Default)



Closed - AT

CN1	Function
1-2 Open	ATX (Default)
1-2 Closed	AT

2.4 List of Connectors

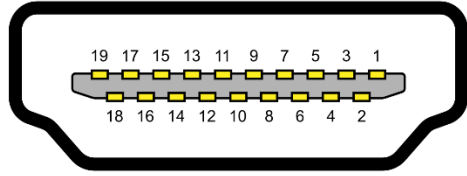
The board has a number of connectors that allow you to configure your system to suit your application.

The table below shows the function of each of the board's connectors.

Label	Function
CN1	FAN connector
CN2	HDMI 2 connector
CN3	HDMI 1 connector
CN4	POE LAN 4 (802.3af)
CN5	POE LAN 3 (802.3af)
CN6	POE LAN 2 (802.3af)
CN7	POE LAN 1 (802.3af)
CN8	SATA Power Connector
CN9	SATA connector
CN10	Micro SD Connector
CN13	OTG connector
CN14	RTC Battery Connector
CN15	TX2 CPU module connector
CN16	7 bit GPIO
CN17	USB 2.0 Connector
CN19	Internal Power In Connector
CN21	COM 1 connector
CN22	UART 0 Debug Port
CN23	CAN Bus Connector
CN24	USB 3.0 Type A Connector
CN25	USB 3.0 Type A Connector
CN26	Remote Power Connector

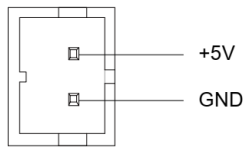
Label	Function
CN27	Power In Connector
CN28	COM 1 Connector
CN29	COM 2 Connector
SW1	Recovery switch
SW2	H/W Reset switch
SW3	Power switch
LAN1	TX2 GIGA LAN

2.4.1 HDMI connector (CN2/CN3)



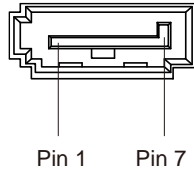
Pin	Signal	Pin	Signal
1	HDMI_DATA2_P	2	GND
3	HDMI_DATA2_N	4	HDMI_DATA1_P
5	GND	6	HDMI_DATA1_N
7	HDMI_DATA0_P	8	GND
9	HDMI_DATA0_N	10	HDMI_CLK_P
11	GND	12	HDMI_CLK_N
13	NC	14	NC
15	HDMI_SCL	16	HDMI_SDA
17	GND	18	HDMI_PWR
19	HDMI_HDP		

2.4.2 SATA PWR Port (CN8)



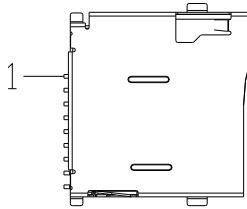
Pin	Signal	Pin	Signal
1	+5V	2	GND

2.4.3 SATA Port (CN9)



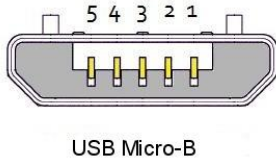
Pin	Signal	Pin	Signal
1	GND	2	SATA TX+
3	SATA TX-	4	GND
5	SATA RX-	6	SATA RX+
7	GND		

2.4.4 Micro SD (CN10)



Pin	Signal	Pin	Signal
1	SDCARD D3	2	SDCARD CMD
3	GND	4	SDCARD PWR(+3.3V)
5	SDCARD CLK	6	SDCARD D0
7	SDCARD D1	8	SDCARD D2
9	SDCARD CD		

2.4.5 USB 2.0 OTG connector (CN13)



USB Micro-B

Pin	Signal	Pin	Signal
1	VBUS	2	USB1-
3	USB1+	4	ID
5	GND		

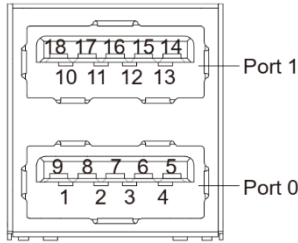
2.4.6 RTC Connector (CN14)

Pin	Signal	Pin	Signal
1	+3V	2	GND

2.4.7 TX2 Module connector (CN15)

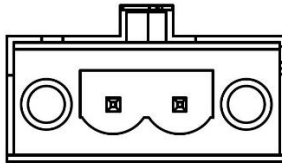
	A	B	C	D	E	F	G	H
1	VDD IN	VDD IN	VDD IN	RSVD	FORCE RECOV#	AUDIO MCLK	I250 SDIN	I250 LRCLK
2	VDD IN	VDD IN	VDD IN	RSVD	SLEEP#	GPIO19 AUD RST	I250 CLK	I250 SDOUT
3	GND	GND	GND	RSVD	SP10 CLK	SP10 CS0#	GND	GPIO20 AUD INT
4	GND	GND	GND	RSVD	SP10 MISO	SP10 MOSI	RSVD	RSVD
5	RSVD	RSVD	RSVD	RSVD	I253 SDIN	I253 LRCLK	I252 CLK	I252 LRCLK
6	I2C PM CLK	I2C PM DAT	I2C CAM CLK	I2C CAM DAT	I253 CLK	I253 SDOUT	I252 SDIN	I252 SDOUT
7	CHARGING#	CARRIER STBY#	BATLOW#	GPIO5_CAM_FLASH_EN	RSVD	GPIO1_CAM1_PWR#	GPIO4_CAM_STROBE	GPIO3_CAM1_RST#
8	GPIO14_AP_WAKE_MOM	VIN_PWR_SAD#	RSVD	RSVD	RSVD	CAM1_MCLK	GPIO0_CAM0_PWIN#	GPIO2_CAM0_RST#
9	GPIO15_APMEM_READY	GPIO17_MMDAP_READY	RSVD	UART1_TX	UART1_RTS#	CAM0_MCLK	UART3_CTS#	UART3_RX
10	GPIO16_MDM_WAKE_AP	GPIO18_MDM_COOLDBOOT	RSVD	UART1_RX	UART1_CTS#	GND	UART3_RTS#	UART3_TX
11	RSVD	ITAG_TCK	RSVD	RSVD	RSVD	RSVD	UART0_RTS#	UART0_CTS#
12	ITAG_TMS	ITAG_TDI	RSVD	RSVD	RSVD	RSVD	UART0_RX	UART0_TX
13	ITAG_TDO	ITAG_GPO	RSVD	I251 LRCLK	SP11_CS1#	SP11_MOSI	SP11_CLK	GPIO8_ALS_PROK_INT
14	ITAG_RTCK	GND	I251 SDIN	I251 SDOUT	SP11_CS0#	SP11_MISO	GPIO9_MOTION_INT	SP12_MISO
15	UART2_CTS#	UART2_RX	I251 CLK	I2C GPO DAT	I2C GPO CLK	GND	SP12_MOSI	SP12_CLK
16	UART2_RTS#	UART2_TX	FAN_PWM	RSVD	RSVD	SP12_CS1#	SP12_CS0#	SDCARD_PWR_EN
17	USB0_EN_OC#	FAN_TACH	RSVD	RSVD	RSVD	SDCARD_CD#	GND	SDCARD_D1
18	USB1_EN_OC#	RSVD	RSVD	RSVD	RSVD	SDCARD_D3	SDCARD_CLK	SDCARD_D0
19	RSVD	GPIO11_AP_WAKE_BT	RSVD	RSVD	GND	SDCARD_D2	SDCARD_CMD	GND
20	I2C GP1 DAT	GPIO10_WHY_WAKE_AP	RSVD	GND	CS19_D1-	SDCARD_WP	GND	CS14_D1-
21	I2C GP1 CLK	GPIO12_BT_EN	GND	CS19_CLK-	CS19_D1+	GND	CS14_CLK-	CS14_D1+
22	GPIO EXP1 INT	GPIO13_BT_WAKE_AP	CS19_D0-	CS19_CLK+	GND	CS14_D0-	CS14_CLK+	GND
23	GPIO EXP0 INT	GPIO7_TOUCH_RST	CS19_D0+	CS19_D1-	CS19_D1+	CS14_D0+	GND	CS12_D1-
24	RSVD	TOUCH_CLK	GND	CS19_CLK-	CS19_D1+	GND	CS12_CLK-	CS12_D1+
25	LCD_TE	GPIO6_TOUCH_INT	CS19_D0-	CS19_CLK+	GND	CS12_D0-	CS12_CLK+	GND
26	RSVD	LCD_VDD_EN	CS19_D0+	CS19_D1-	CS19_D1+	CS12_D0+	CS12_D1-	CS10_D1-
27	RSVD	LCD0_BKLT_PWM	GND	CS11_CLK-	CS11_D1+	GND	CS10_CLK-	CS10_D1+
28	GND	LCD_BKLT_EN	CS11_D0-	CS11_CLK+	GND	CS10_D0-	CS10_CLK+	GND
29	SDIO_RST#	SDIO_CMD	CS11_D0+	DS18_D1+	DS18_D1+	CS10_D0+	GND	DS12_D1+
30	SDIO_D3	SDIO_CLK	GND	RSVD	DS18_D1-	GND	DS12_CLK+	DS12_D1-
31	SDIO_D2	GND	DS18_D0+	RSVD	GND	DS12_D0+	DS12_CLK-	GND
32	SDIO_D1	SDIO_D0	DS18_D0-	GND	DS11_D1+	DS12_D0-	GND	DS10_D1+
33	DP1_HPD	HDMI_CEC	GND	RSVD	DS11_D1-	GND	DS10_CLK+	DS10_D1-
34	DP1_AUX_CH-	DP0_AUX_CH-	DS11_D0+	RSVD	GND	DS10_D0+	DS10_CLK-	GND
35	DP1_AUX_CH+	DP0_AUX_CH+	DS11_D0-	GND	DP1_TX3-	DS10_D0-	GND	DP0_TX3-
36	USB0_OTG_ID	DP0_HPD	GND	DP1_TX2-	DP1_TX3+	GND	DP0_TX2-	DP0_TX3+
37	GND	USB0_VBUS_DET	DP1_TX1-	DP1_TX2+	GND	DP0_TX1-	DP0_TX2+	DP0_TX3+
38	USB1_D+	GND	DP1_TX1+	GND	DP1_TX0-	DP0_TX1+	GND	DP0_TX0-
39	USB1_D-	USB0_D+	GND	PEX_RFU_TX+	DP1_TX0+	GND	PEX_RFU_RX+	DP0_TX0+
40	GND	USB0_D-	PEX2_TX+	PEX_RFU_TX-	GND	PEX2_RX+	PEX_RFU_RX-	GND
41	RSVD	GND	PEX2_TX-	GND	PEX1_TX+	PEX2_RX-	GND	PEX1_RX+
42	RSVD	USB2_D+	GND	USB_S51_TX+	PEX1_TX-	GND	USB_S51_RX+	PEX1_RX-
43	GND	USB2_D-	USB_S50_TX+	USB_S51_TX-	GND	USB_S50_RX+	USB_S51_RX-	GND
44	PEX0_REFCLK+	GND	USB_S50_TX-	GND	PEX0_TX+	USB_S50_RX-	GND	PEX0_RX+
45	PEX0_REFCLK-	PEX1_REFCLK+	GND	SATA_TX+	PEX0_TX-	GND	SATA_RX+	PEX0_RX-
46	RESET_OUT#	PEX1_REFCLK-	RSVD	SATA_TX-	GND	GBE_LINK100#	SATA_RX-	GND
47	RESET_IN#	GND	PEX1_CLKREQ#	RSVD	GBE_LINK_ACT#	GBE_MDI1+	GND	GBE_MDI3+
48	CARRIER_PWR_ON	RSVD	PEX0_CLKREQ#	PEX_WAKE#	GND	GBE_MDI0+	GBE_MDI2+	GBE_MDI3-
49	CHARGER_PRSENT#	RSVD	PEX0_RST#	RSVD	GND	GBE_MDI0-	GND	GND
50	VDD_RTC	POWER_BTN#	RSVD	RSVD	PEX1_RST#	GBE_LINK100#	GND	RSVD

2.4.8 USB3.0 connector (CN24/CN25)



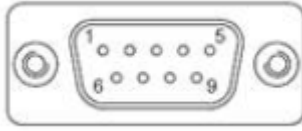
Pin	Signal	Pin	Signal
U1	VBUS_1	U10	VBUS_2
U2	(A)D-	U11	(B)D-
U3	(A)D+	U12	(B)D+
U4	GND	U13	GND
U5	(A)SSRX-	U14	(B)SSRX-
U6	(A)SSRX+	U15	(B)SSRX+
U7	GND	U16	GND
U8	(A)SSTX-	U17	(B)SSTX-
U9	(A)SSTX+	U18	(B)SSTX+

2.4.9 Power in connector (CN27)



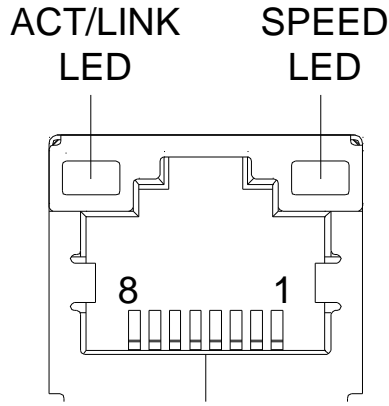
Pin	Signal	Pin	Signal
1	PWR IN	2	GND

2.4.10 COM port connector (CN28/29)



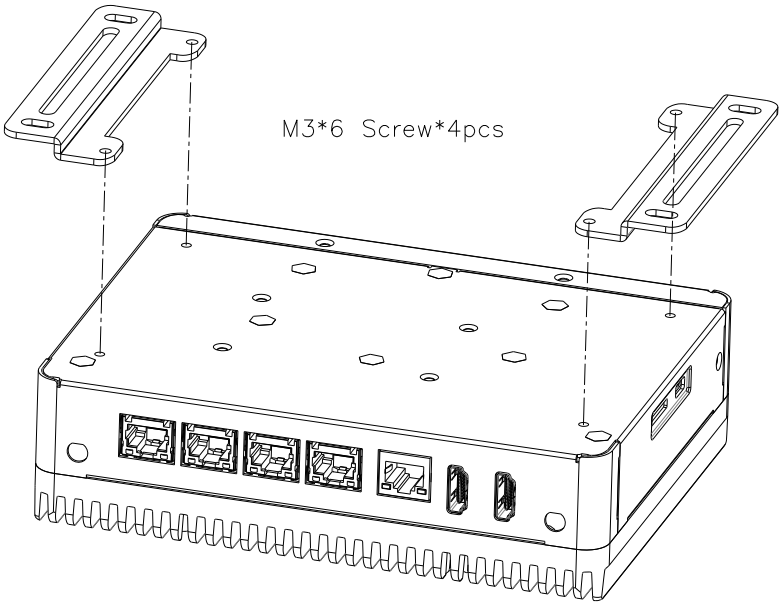
Pin	RS-232
1	
2	RXD
3	TXD
4	
5	GND
6	
7	RTS
8	CTS
9	

2.4.11 LAN (RJ-45) Port (LAN1)



Pin	Signal	Pin	Signal
1	MDI0+	2	MDI0-
3	MDI1+	4	MDI1-
5	MDI2+	6	MDI2-
7	MDI3+	8	MDI3-

2.5 Wall Mount Assembly



Chapter 3

OS Flash guide

3.1 Force USB Recovery Mode

To place system in Force USB Recovery Mode:

1. Power down the device and disconnect the AC adapter. The device MUST be powered OFF, not in a suspended or sleep state.
2. Connect the Micro-B plug on the USB cable to the Recovery (USB Micro-B) Port on the device and the other end to an available USB port on the host PC.
3. Connect the power adapter to the device.
4. Press and release the POWER button to power on device. Press and hold the FORCE RECOVERY button. While pressing the FORCE RECOVERY button, press and release the RESET button; wait two seconds, and then release the FORCE RECOVERY button. Refer to Chapter 2 Hardware Information for button locations.
5. When device is in recovery mode, lsusb command on host will list a line of "NVidia Corp."

3.2 Software & BSP

Please follow the steps below to install the test image.

(1) Download **ACLinux_4.4_ACLNX44D.NV02.BOXER-8170AI.TB5.tar.gz** image. Please check with your local sales or FAE for the test image. The file name may change without notice.

(2) Unzip **ACLinux_4.4_ACLNX44D.NV02.BOXER-8170AI.TB5.tar.gz**

```
unzip ACLinux_4.4_ACLNX44D.NV02.BOXER-8170AI.TB5.tar.gz
```

(3) Enter bootloader folder

```
cd bootloader
```

(5) Enter Force USB Recovery Mode. Procedures for this step are located in the previous section **3.1 Force USB Recovery Mode**.

(6) Execute the following command to install image:

```
sudo ./flashall.sh
```