

Operator Panel

AOP-8060XT

AOP-8060XT

Intel® 600MHz/
1.3GHz Processor
Operator Panel PC
With 6.4" TFT LCD

AOP-8060XT Manual 1st Ed.
September 2007

Copyright Notice

This document is copyrighted, 2007. All rights are reserved. The original manufacturer reserves the right to make improvements to the products described in this manual at any time without notice.

No part of this manual may be reproduced, copied, translated, or transmitted in any form or by any means without the prior written permission of the original manufacturer. Information provided in this manual is intended to be accurate and reliable. However, the original manufacturer assumes no responsibility for its use, or for any infringements upon the rights of third parties that may result from its use.

The material in this document is for product information only and is subject to change without notice. While reasonable efforts have been made in the preparation of this document to assure its accuracy, AAEON assumes no liabilities resulting from errors or omissions in this document, or from the use of the information contained herein.

AAEON reserves the right to make changes in the product design without notice to its users.

Acknowledgments

All other products' name or trademarks are properties of their respective owners.

- Award is a trademark of Award Software International, Inc.
- VIA is a trademark of VIA Technologies, Inc.
- RTL is a trademark of Realtek Semi-Conductor Co., Ltd.
- Intel[®] and Pentium[®] are trademarks of Intel[®] Corporation.
- Microsoft Windows[®] is a registered trademark of Microsoft Corp.
- IBM, PC/AT, PS/2, and VGA are trademarks of International Business Machines Corporation.
- ESS is a trademark of ESS Technology, Inc.
- UMC is a trademark of United Microelectronics Corporation.
- SMI is a trademark of Silicon Motion, Inc.
- Creative is a trademark of Creative Technology LTD.

All other product names or trademarks are properties of their respective owners.

Packing List

Before you begin operating your PC, please make sure that the following materials are enclosed:

- 1 AOP-8060XT Panel PC
- 1 CompactFlash™ storage card
- 1 PS/2 Y type keyboard / mouse cable
- 1 Mounting bracket and screws
- 1 CD-ROM for manual (in PDF format)

If any of these items should be missing or damaged, please contact your distributor or sales representative immediately.

Safety & Warranty

1. Read these safety instructions carefully.
2. Keep this user's manual for later reference.
3. Disconnect this equipment from any AC outlet before cleaning. Do not use liquid or spray detergents for cleaning. Use a damp cloth.
4. For pluggable equipment, the power outlet must be installed near the equipment and must be easily accessible.
5. Keep this equipment away from humidity.
6. Put this equipment on a firm surface during installation. Dropping it or letting it fall could cause damage.
7. The openings on the enclosure are for air convection. Protect the equipment from overheating. **DO NOT COVER THE OPENINGS.**
8. Make sure the voltage of the power source is correct before connecting the equipment to the power outlet.
9. Position the power cord so that people cannot step on it. Do not place anything over the power cord.
10. All cautions and warnings on the equipment should be noted.
11. If the equipment is not used for a long time, disconnect it from the power source to avoid damage by transient over-voltage.
12. Never pour any liquid into an opening. This could cause fire or electrical shock.
13. Never open the equipment. For safety reasons, only qualified service personnel should open the equipment.
14. If any of the following situations arises, get the equipment checked by service personnel:
 - a. The power cord or plug is damaged.
 - b. Liquid has penetrated into the equipment.
 - c. The equipment has been exposed to moisture.

- d. The equipment does not work well, or you cannot get it to work according to the user's manual.
 - e. The equipment has been dropped and damaged.
 - f. The equipment has obvious signs of breakage.
15. DO NOT LEAVE THIS EQUIPMENT IN AN ENVIRONMENT WHERE THE STORAGE TEMPERATURE IS BELOW -20°C (-4°F) OR ABOVE 60°C (140°F). IT MAY DAMAGE THE EQUIPMENT.

FCC Safety

Warning!



This device complies with Part 15 FCC Rules. Operation is subject to the following two conditions: (1) this device may not cause harmful interference, and (2) this device must accept any interference received including interference that may cause undesired operation.

Caution:

There is a danger of explosion if the battery is incorrectly replaced. Replace only with the same or equivalent type recommended by the manufacturer. Dispose of used batteries according to the manufacturer's instructions and your local government's recycling or disposal directives.

Below Table for China RoHS Requirements

产品中有毒有害物质或元素名称及含量

AAEON Panel PC/ Workstation

部件名称	有毒有害物质或元素					
	铅 (Pb)	汞 (Hg)	镉 (Cd)	六价铬 (Cr(VI))	多溴联苯 (PBB)	多溴二苯醚 (PBDE)
印刷电路板 及其电子组件	×	○	○	○	○	○
外部信号 连接器及线材	×	○	○	○	○	○
外壳	×	○	○	○	○	○
中央处理器 与内存	×	○	○	○	○	○
硬盘	×	○	○	○	○	○
液晶模块	×	○	○	○	○	○
光驱	×	○	○	○	○	○
触控模块	×	○	○	○	○	○
电源	×	○	○	○	○	○

O: 表示该有毒有害物质在该部件所有均质材料中的含量均在
SJ/T 11363-2006 标准规定的限量要求以下。

X: 表示该有毒有害物质至少在该部件的某一均质材料中的含量超出
SJ/T 11363-2006 标准规定的限量要求。

备注:

- 一、此产品所标示之环保使用期限，系指在一般正常使用状况下。
- 二、上述部件物质中央处理器、内存、硬盘、光驱、触控模块为选购品。

Contents

Chapter 1 General Information

1.1 Introduction.....	1-2
1.2 Specification	1-3
1.3 Dimension	1-5

Chapter 2 Hardware Installation

2.1 Panelmount Installation.....	2-2
2.2 COM 1 Connector (CN9).....	2-3

Chapter 3 Windows XP Embedded Installation

3.1 Introduction.....	3-2
-----------------------	-----

Chapter

1

**General
Information**

1.1 Introduction

The AOP-8060XT operator panel is a Intel 600MHz/ 1.3GHz processor computer that is designed to serve as a human machine interface (HMI). It is a PC-based system with 6.4" color TFT LCD display, on-board Ethernet controller, multi-COM port interfaces and an audio controller. With a built-in CompactFlash socket, the AOP-8060XT is as compact and user friendly as a multi-function computer. In addition, its "fit anywhere" design makes it very flexible and able to be used in many different kinds of installations. It can be wall mounted, panel mounted or DIN Rail mounted.

For system integrators, this simple, complete, compact and highly integrated system let you easily build an operator panel into your applications. Common industrial applications include factory automation systems, precision machinery, and production process control. It is also suitable for many non-industrial applications, including vending machine, and car park automation. Our operator panel is a reliable, cost-effective solution to your application's processing requirements.

1.2 Specification

System

- CPU Onboard Intel 600MHz/ 1.3GHz Processor
- Memory Onboard 256MB, up to 1G DDR I SDRAM
- LCD / CRT Controller Intel 852GM
- Ethernet Realtek 8100 10/100Base-Tx RJ-45 connector x 1
- I/O Port 1 x RS-232 (D-SUB 9 connector)
1 PS/2 mouse and keyboard port
2 USB 2.0 ports
Line out
- Storage Disk Drive Type II CompactFlash™ slot
- OS Support Windows XP Embedded

Mechanical

- Construction Plastic chassis (IP65 certified front panel)
- Front Panel Color Black
- Mounting Panel Mount, VESA 75mm holes, DIN Rail (Optional)
- Dimension 7.8" (W) x 6" (H) x 1.7" (D)
(198mm x 152mm x 44mm)
- Gross Weight 3.3 lb (1.5Kg)

Environmental

- Operating Temperature 32°F~104°F (0°C~40°C)
- Storage Temperature -4°F~140°F (-20°C~60°C)
- Operating Humidity 10 to 90% @ 35°C, non-condensing
- Vibration Random Operation 1G, 5-500Hz
- Shock 15G peak acceleration (11 msec. duration)
- EMC CE/FCC Class A
- Power Supply DC Input 15W
Input: DC 5V

LCD

- Display Type 6.4" Color TFT LCD
- Max. Resolution 640x 480
- Max. Colors 262K
- Dot Size 0.204mm x 0.204mm
- Luminance 250cd/m² (TYP.)
- Viewing Angle 90° (H) x 50° (V)

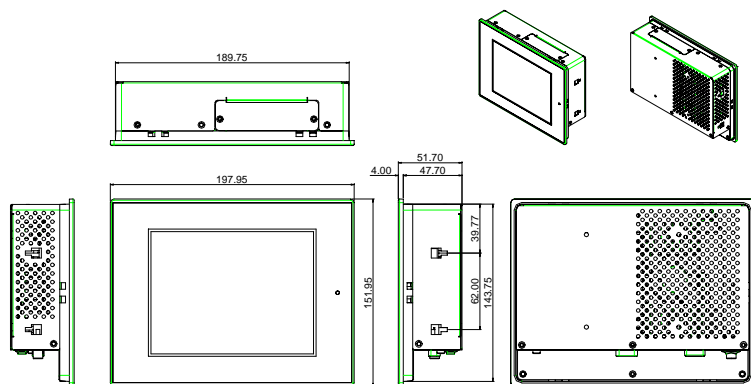
Touch Screen

- Type 4-wire, analog resistive
- Light Transmission 79%
- Lifetime 1 million activations
- OS Support Windows XP Embedded

Note: All AAEON's LCD products are manufactured with High precision technology. However, in all LCD panels there maybe a small number of

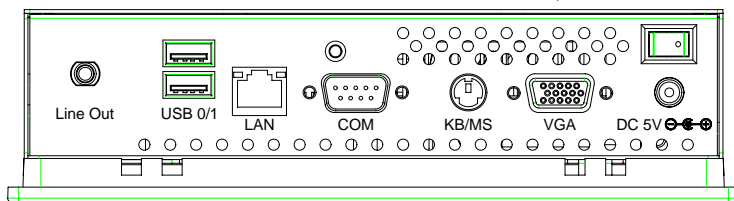
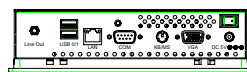
defective pixels that do not change color. This is a normal occurrence for all LCD displays from all manufacturers and should not be noticeable or objectionable under normal operation. AAEON qualify the LCD panel following industry standard: total 7 dead pixels on a screen or if there are 3 within 1 inch square area of each other on the display.

1.3 Dimension



AOP-8060XT

Cutout Size: 191 x 145 mm
Dimension: 197.95 x 151.95 x 51.7 mm



Chapter

2

**Hardware
Installation**

2.1 Panelmount Installation

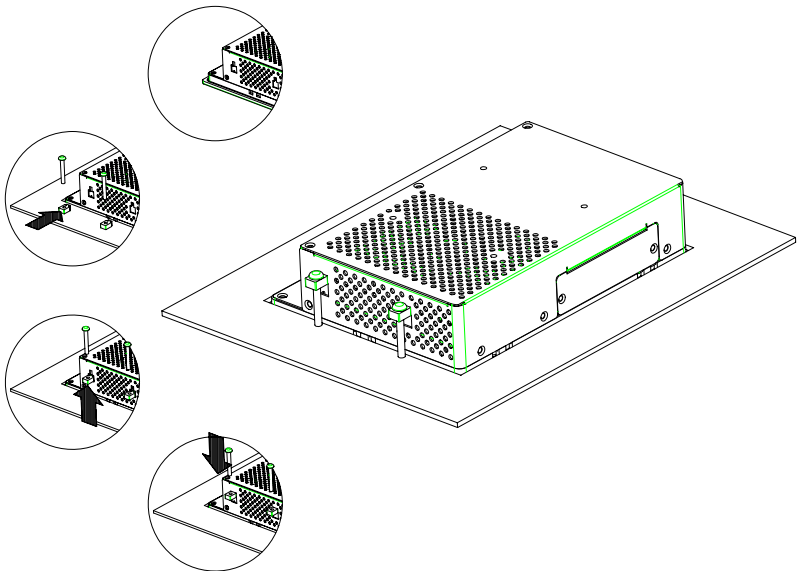
The display panel can be mounted into the wall. You will need the screws along with the mounting brackets, which be packed in the accessory box. Follow the steps below:

Step 1: Place the operator panel into the wall.

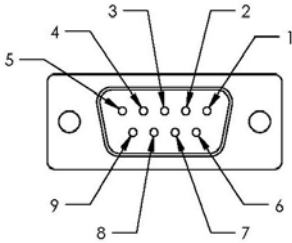
Step 2: Place the mounting brackets and bore the screw on it.

Step 3: Screw mounting kits to fix the operator panel.

Step 4: When the mounting set has been tightened, repeat the Steps above and tighten all mounting sets around the monitor until the monitor has been firmly mounted to the wall.



2.2 COM1 Connector (CN9)



Pin	Signal	Pin	Signal
1	DCD1	2	RXD1
3	TXD1	4	DTR1
5	GND	6	DSR1
7	RTS1	8	CTS1
9	RI1		

Chapter

3

Windows XP Embedded Installation

3.1 Introduction

The AOP-8060XT comes with a CD-ROM that contains Windows XP Embedded image. Please follow up the installation process at “AAEON Windows XP Embedded Installation Guide” file to install Windows XP Embedded image in your CF Disk. After Touchscreen calibration, you can start to use AOP-8060XT.

Request for different features of Windows XP Embedded:

Please refer to “AAEON Windows XP Embedded Installation Guide” and “AAEON Windows XP Embedded Integration Service Policy,” and fill out “AAEON Windows XP Embedded Request Form” in your CD-ROM, and contact our sales representative for more details.