

RTC-700A

RISC-based 7" Rugged Tablet Computer



Features

- NVIDIA® TEGRA™ 2 1.0 GHz Dual Core Processor
- DDR2 1GB SDRAM
- 7" WXGA (1280 x 800) TFT LCD Display
- Projected Capacitive Multi-Touch Panel, Gorilla Glass
- Li-Polymer High-Capacity Battery, 6 Hours Battery Life
- Rugged, Water and Dust Proof, IP65 compliance
- Micro SD Card Slot, 5M Pixel Camera
- WiFi 802.11 b/g/n , Bluetooth® 2.1+ EDR, Optional 3G
- G-Sensor, Light Sensor, E-compass, GPS Navigation
- Android™ v3.2/ V4.0
- Sunlight Readable (Optional)



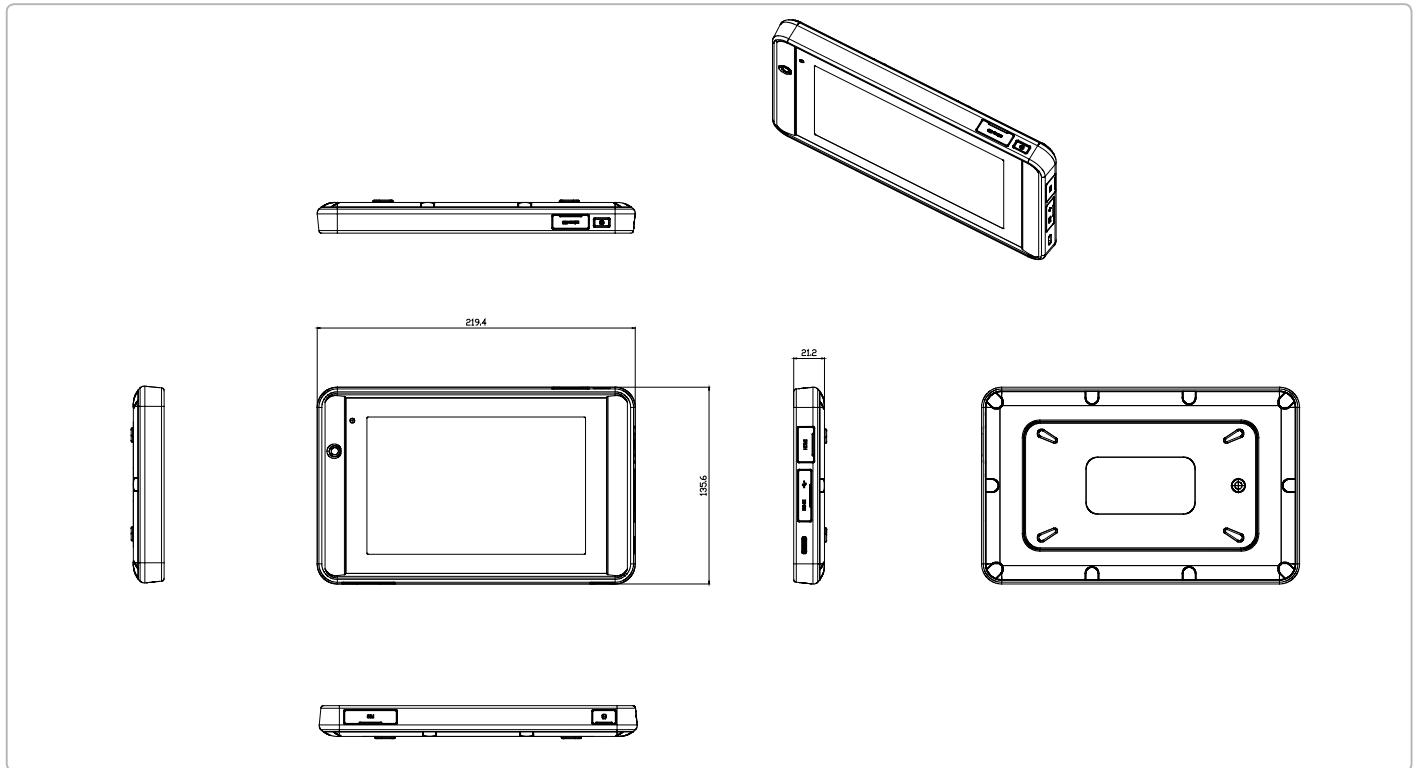
Specifications

System	
Processor	NVIDIA® TEGRA™ 2 1.0GHz Dual Core Processor
System Memory	DDR2 1GB SDRAM
LCD Display	7" WXGA (1280 x 800) TFT LCD with Projected Capacitive Multi-Touch screen, Gorilla glass
Communication	WLAN 802.11 b/g/n Bluetooth® 2.1+ EDR (Bluetooth® Keyboard/Mouse support) 3G modem module (optional)
I/O Port	DC-in Jack x 1 Mini USB Port x 1 Mini HDMI Port x 1 Micro SD Card Slot x 1 3.5-mm stereo headphone jack x 1 Built-in Speaker & Microphone SIM Card Slot x 1
Storage	16GB eMMC Flash
Navigation	GPS E-compass
Camera	Front: 1.2M Pixel camera Rear: 5M Pixel AF camera
Other	Built-in Light Sensor Built-in G-Sensor, Built-in 3-axis digital gyroscope, Built-in Vibrator motor
OS	Android™ v3.2/ v4.0
Mechanical	
Color	Black
Dimension	5.38" x 8.58" x 0.83"(136.6mm x 218mm x 21mm)
Gross Weight	1.2 lb (0.57 kg)
Carton Dimension	9.61" x 6.81" x 2.64" (244mm x 173mm x 67mm)
Environmental	
Operating Temperature	-4°F ~ 140°F (-20°C ~ 60°C)
Storage Temperature	-67°F ~ 167°F (-55°C ~ 75°C)
Operating Humidity	10 to 95% @ 40°C, non-condensing
Water & Dust Proof	IP65 compliance
Vibration	Meets MIL-STD-810G-514.6, Procedure I Cat. 24, Fig. 514.6E-1 & 514.6E-2 (Unit is non-operating) ASTM 4169-99 Truck Assurance Level II, Schedule E (Unit is operating)
Drop	26 drops of 48 inches height to 2" plywood over concrete with unit off MIL-STD-810G-516.6, Procedure IV
ESD	Air +/- 8KV, Contact +/- 4KV
EMC/ Safety	CE/ FCC Class B/ UL

RTC-700A

Dimension

Unit: mm



Power Supply	
AC/ DC Adapter	AC Power input: 100V-240V, 50Hz-60Hz, 12V/2A, 24W DC Power output: 12V/ 2A
Battery	Li-Polymer high capacity battery (27Whr), 6 Hrs Battery Life
LCD	
Display Type	7" 16:10 TFT LCD
Max. Resolution	1280 x 800
Max. Color	262K
Dot Size	0.117755(H) x 0.117755(V)
Luminance	350cd/m ² ~ 600 cd/m ²
View Angle	Horizontal 178° (Typical) Vertical 178° (Typical)
Touch Screen	
Type	Projected Capacitive Multi-Touch Panel, Gorilla glass
Light Transmission	≥87%

Packing List

- TBD

Optional Accessories

- **AP-OT9789666663**
Vehicle Docking
- **1700050156**
USB OTG Cable
- **AP-PS1757402101**
Vehicle DC/DC Adapter

Ordering Information

- **TF-RTC-700A-TA-WBG-1110**
RTC, NVIDIA Tegra 2 1.0G, 7" TFT LCD, DC 12V, PCT, 1GB RAM, 16GB eMMC, Android V3.2, WiFi/ BT/ GPS
- **TF-RTC-700A-TA-WBGH-1110**
RTC, NVIDIA Tegra2 1.0G, 7" TFT, LCD, DC 12V, PCT, 1GB RAM, 16GB, eMMC, Android V3.2, WiFi/ BT/ GPS/ 3G
- **TF-RTC-700A-TS-WBG-1111**
RTC, NVIDIA Tegra 2 1.0G, 7" TFT LCD, DC 12V, PCT, 1GB RAM, 16GB eMMC, Android V3.2, WiFi/ BT/ GPS/ Sunlight Readable
- **TF-RTC-700A-TA-WBG-2110**
RTC, NVIDIA Tegra2 1.0G, 7" TFT, LCD, DC 12V, PCT, 1GB RAM, 16GB, eMMC, Android V4.0, WiFi/ BT/ GPS

For 3G: May require certification from local 3G carriers in certain country.