

15" LCD PC



▲ ONYX-151



Features

- 15" color TFT LCD display
- Aluminum alloy front panel
- All-in-one F/C Socket 370 SBC (CPU supports up to Pentium® III 850 MHz)
- Removable CD-ROM, FDD and HDD module
- IrDA transmission
- Desktop, tilting desktop, swivel arm
- Resistive touchscreen (optional)

LCD Specifications

Model	Onyx-151
Display type	15" color TFT LCD
Max. resolution	1024 x 768
Max. colors	256K
Dot size(mm)	0.313 x 0.329
Luminance (cd/m ²)	250 (TYP)
Viewing angle	160° (H)
	160° (V)
Operating temperature	0° ~ 45°C (32 ~ 113°F)
Brightness Control	Yes
Back Light MTBF(Hrs)	50,000

Specifications

- **Construction** : Die casting aluminum alloy
- **CPU** : Intel® FC-370 Celeron® / Pentium® III (Coppermine)
CPU up to Pentium® III 850 MHz (FSB 66/100 MHz)
- **Memory** : Up to 256 MB
- **Display** : 15" XGA (1024 x 768) color TFT LCD
- **LCD/CRT controller** : C&T 69000 VGA controller with 2 MB SDRAM. CRT & LCD panel support
- **Network (LAN)** : 10/100 Base-T (RJ-45 connector)
- **Audio** : 16-bit stereo digital audio
- **I/O ports**:
4 serial ports : 3 x RS-232, 1 x RS-232/422/485 (COM3 is reserved for touchscreen)
1 x IrDA
1 parallel port (supports ECP and EPP)

- Line-in, Line-out, MIC-in
- 1 PS/2 mouse and keyboard interface
- **Disk Drive Housing** : 2.5" HDD removable, Slim FDD and Slim CD-ROM
- **USB connector** : Dual USB ports
- **Mounting** : Desktop, tilting desktop, swivel arm
- **Power supply** : Universal 100W switching power supply
- **OS support** : Windows 98/SE, Windows NT4.0, Windows 2000, Windows XP
- **Dimension (W x H x D)** :
413 x 334 x 86.5mm (16.3" x 13.1" x 3.4")
- **Carton Dimension (W x H x D)** :
545 x 280 x 460mm (21.5" x 11" x 18.1")
- **Gross Weight** : 10.2Kg (22.6 lbs)

Environmental Specifications

- **Operating temperature** : 0° to 45°C (32 ~ 113°F)
- **Storage temperature** : -20° to 60°C (-4 ~ 140°F)
- **Relative humidity** : 10 to 95% @ 40°C, non-condensing
- **Vibration** : 1G / 5 ~ 500Hz / random operation
- **Shock** : 20G peak acceleration (11 msec. duration)
- **EMC** : CE / FCC Class A

Touchscreen (optional)

- Type** : 8-wire, analog resistive
- Resolution** : 1024 x 1024
- Light transmission** : 75%
- Lifetime** : 1 million activations
- Controller** : RS-232 interface

Power supply

- **Input Voltage** : 90 ~ 264V AC Full Range, 47 ~ 63Hz



▲ Swivel arm



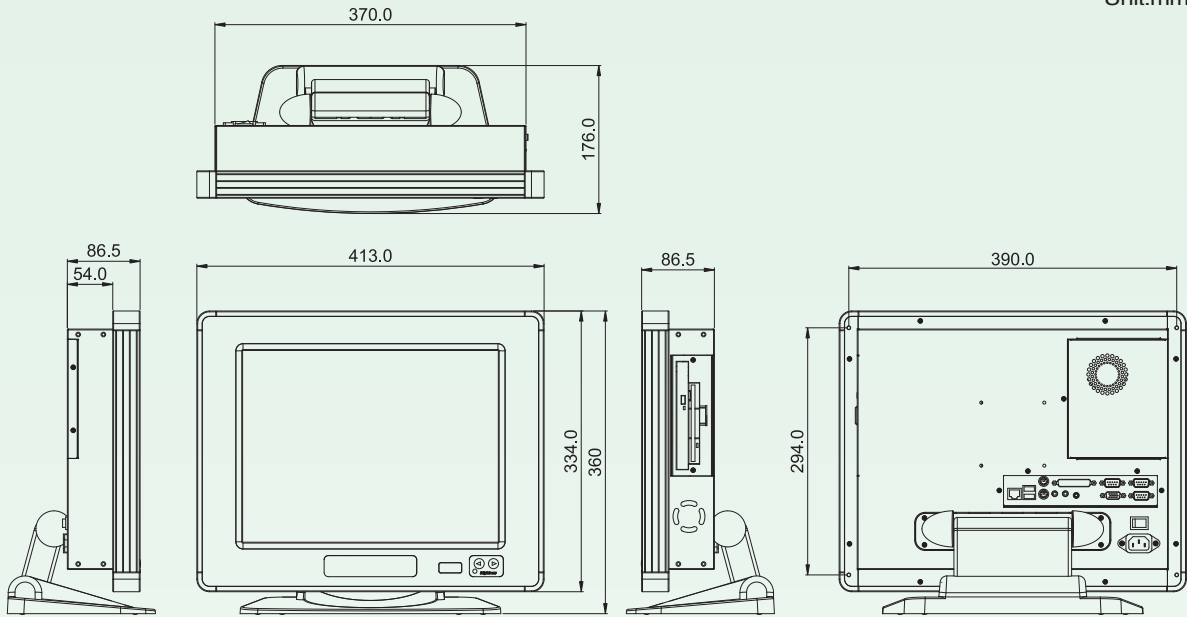
▲ Tilt Desktop type

▲ Desktop type

Dimension

Onyx-151-D

Unit:mm



Onyx-151-T

