

# 17" Open Frame Display Monitor

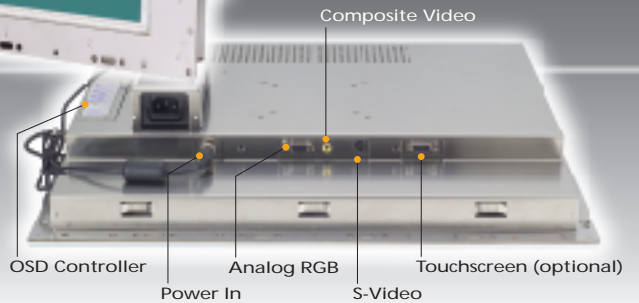
**IP65 certified**



▲ **Close Frame Display Monitor**  
Open Frame Structure 17" Display Monitor with Optional Aluminum Rack-mount Bezel



◀ **OPD-217A series**  
17" Open Frame Display Monitor



## Features

- 17" SXGA color TFT LCD display
- Stainless steel open-frame architecture
- Front Panel with bezel is IP65 certified
- OSD (On screen Display) function for display adjustment
- Strengthened glass protects the screen from shock damage
- Analog RGB signal direct input offering multi-scan function
- RGB, Composite video, S-Video input signal selectable
- Picture-In-Picture function enable
- VESA 75/100mm standard screw holes
- Resistive touch screen (optional)
- Aluminum front Bezel (optional)

## LCD Specifications

Model	OPD-217A
Display type	17" color TFT LCD
Max. resolution	1280 x 1024
Max. colors	256K
Dot size (mm)	0.264 x 0.264
Luminance (cd/m <sup>2</sup> )	260 (TYP)
Viewing angle	160° (H)
	160° (V)
Operating temperature	0° ~ 45°C (32 ~ 113°F)
OSD	Yes
Back Light MTBF (Hrs)	40,000

## Specifications

- **Construction** : Heavy-duty stainless steel chassis
- **Mounting** : Panel and Rear mount  
Optional : Standard mount frame  
Rack mount  
Swivel ARM
- **Input signal** : RGB, Composite Video, S-Video
- **Control** : OSD (On Screen Display) on rear panel
- **Power Supply** : External power adapter
- **OS support** : MS DOS, Windows 98/SE, Windows NT4.0, Windows 2000, Windows XP

- **Dimensions (W x H x D)** :  
Without bezel : 482 x 398 x 57.2mm (18.9" x 15.7" x 2.3")  
Standard bezel : 483 x 399 x 58.2mm (19.0" x 15.7" x 2.3")  
Rack bezel : 483 x 399 x 58.2mm (19.0" x 15.7" x 2.3")
- **Carton Dimension (W x H x D)** :  
620 x 615 x 251mm (24.4" x 24.2" x 9.8")
- **Gross Weight** : 15.36Kg (33.7lbs)

## Environmental Specifications

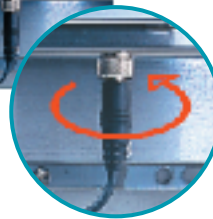
- **Operating temperature** : 0° to 45°C (32° ~ 113°F)
- **Storage temperature** : -20° to 60°C (-4° ~ 140°F)
- **Storage humidity** : 10 to 90% @ 40°C, non-condensing, without touchscreen
- **Vibration** : 5 ~ 500Hz, 1G random vibration
- **Shock** : 15G peak acceleration (11 msec. duration)
- **EMC** : CE / FCC Class A

## Touchscreen (optional)

**Type** : 8-wire, analog resistive  
**Resolution** : 4096 x 4096  
**Light transmission** : 76% ± 2  
**Lifetime** : 1 million activations  
**Contorllor** : RS-232 interface



◀ New Power Module Mount on Rear Chassis

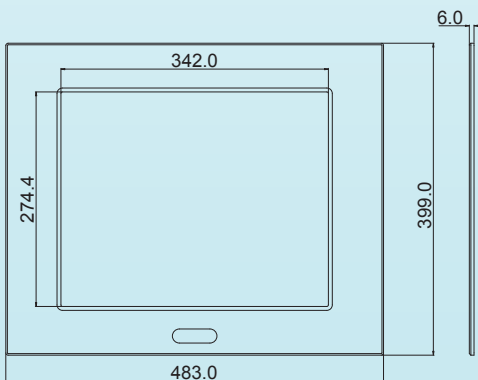
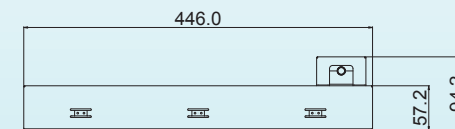
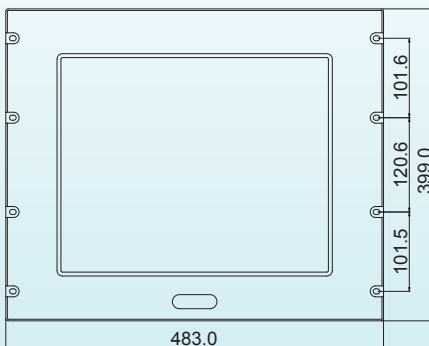


◀ Locking Power Connector

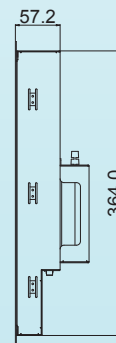
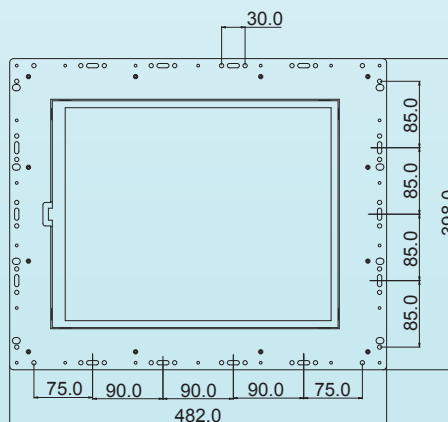
## Dimension

OPD-217A

Unit:mm



Front Bezel Size



Chassis Cutout Size:449\*367 mm  
 LCD Cutout Size:342\*274.4 mm