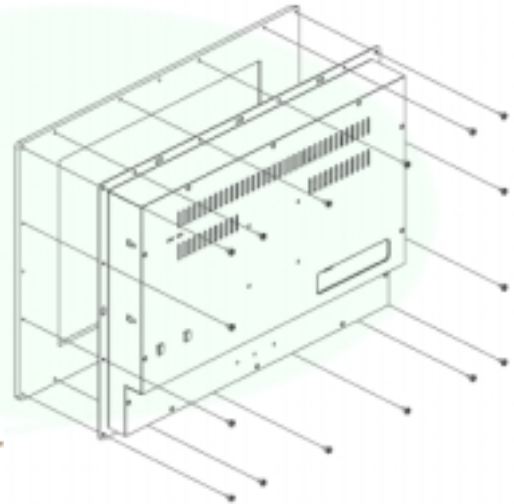



OPC-2051 series

15" Open Frame Panel PCs



Rear Wall Mounting 

Introduction

OPC-2051 series Open Frame Panel PC is specially designed for KIOSK solution, System Integrator or any user who wants to have their own Identity Designs. Another advantage of OPC-2051 is a Modular System Panel PCs. It's composed from 15" front panel and ACS-2301. The front panel and control box could be removed operating with a standard 50 Pin cable up to 6 meters. These series of Open Frame Panel PCs based on Intel's PentiumIII/ Celeron CPU, with 4 COM port interfaces and a 16-bit stereo audio controller and expansion devices.

Features for OPC-2051

(15" LCD + ACS-2301 Control Box)

- 15" Hi-brightness color TFT LCD display
- 50 Pin connector with one meter cable
- Four 16C550 RS-232C ports; one RS-232C port can also be set as RS-422/485
- 16-bit stereo digital audio
- Disk Drive Space for CD-ROM, FDD and HDD
- DiskOnChip flash disk socket
- One free expansion slot for ISA or PCI
- Resistive touchscreen (optional)

Specifications for OPC-2051

(15.1" LCD + ACS2301 Control Box)

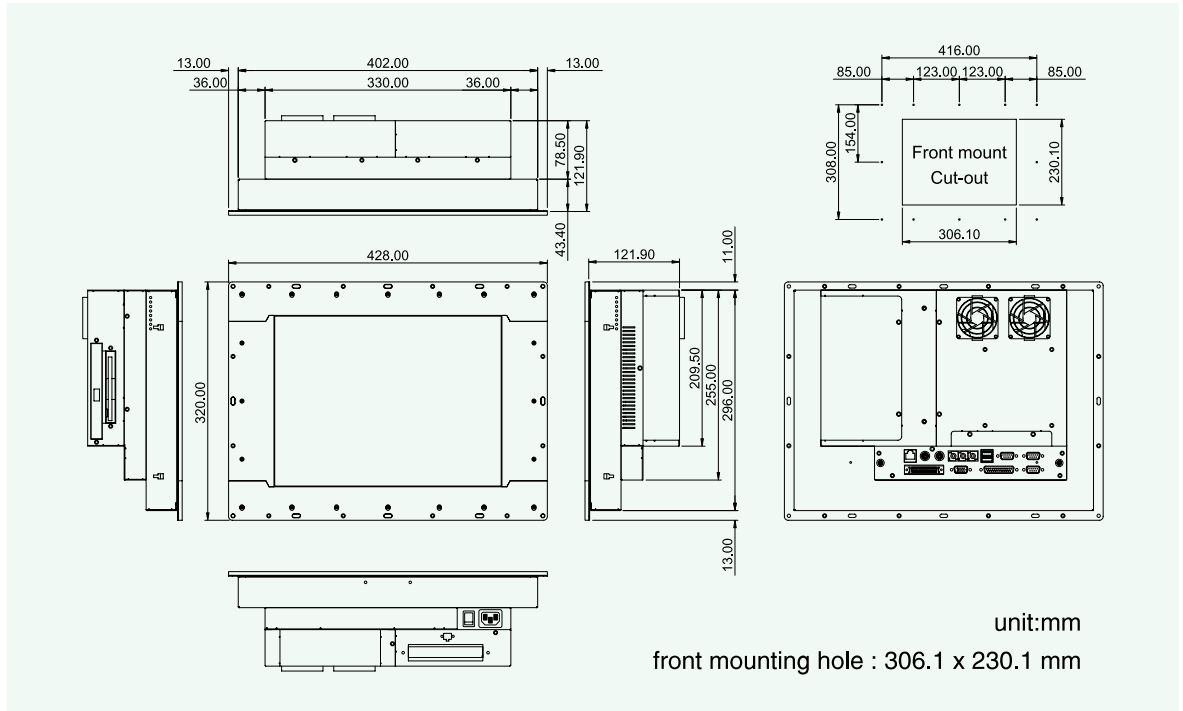
- **Construction:** Heavy-duty steel chassis.
- **CPU:** Support Socket 370 based intel Pentium III and Celeron CPU, up to PIII 850 (FSB 66/100)
- **Memory:** Support up to 256MB SDRAM (168-pin)

- **Display:** 15" XGA (1024 x 768) color TFT LCD
- **LCD/CRT controller:** C&T 69000 on board VGA with 2MB SDRAM. CRT & LCD panel support.
- **Network (LAN):** Realtek RTL 8139B 10/100 Base-T Ethernet controller
- **I/O ports:**
 - 4 serial ports: 3 x RS-232, 1 x RS-232/422/485 (one is reserved for touchscreen)
 - 1 parallel port (supports ECP/EPP)
 - 1 PS/2 keyboard port
 - 1 PS/2 mouse interface
- **Disk Drive Housing:**
 - 3.5" HDD or
 - 3.5" HDD & Slim CD-ROM or
 - 2.5"HDD, Slim CD-ROM and Slim FDD
- **USB connector:** Dual USB ports
- **Mounting:** Front mount
- **Expansion slots:** 1 ISA or 1 PCI slot
- **Power supply:** Universal 70W switching power supply
- **Dimension (W x H x D):** 444 x 336 x 129mm
- **Cutout Size:** 405 x 299mm
- **Gross Weight:** 12.5 Kg (27.6 lbs)

Power Supply

- **Input Voltage:** 85~264V AC
- **Output Voltage:** +5V@10A, +12V@1.5A, -12V@0.3A
- **MTBF** > 200,000 Hrs per MIL – Handbook 217F
- **Safety:** UL, CUL, TUV approved
- **EMI:** FCC Class B, CISPR22B

Dimension



Environmental

- **Operating temperature:** 0° to 50°C (32~122°F)
- **Storage temperature:** -20° to 60°C (-4~140°F)
- **Storage humidity:** 5 to 95%, non-condensing
- **Vibration:**
5 to 17Hz, 0.1" double-amplitude displacement 17 to 500 Hz, 1.5G peak to peak
- **Shock:** 10G peak acceleration (11 msec. duration)

LCD Specification

Model	OPD-2051
Display type	15" color TFT LCD
Max. resolution	1024 x 768
Max. colors	256K
Dot size (mm)	0.313 x 0.329
Luminance (cd/m²)	250
Viewing angle	160° (H) 160° (V)
Temperature	0° ~50°C (32~122°F)
VR Controller	Yes
LCD MTBF (Hrs)	50,000
Back Light MTBF (Hrs)	50,000

Resistive Touchscreen (optional)

Type: 8-wire, analog resistive

Resolution: 1024 x 1024

Light transmission: 72%

Lifetime: 100 million touches

Operating pressure: 30-45 grams for finger, 10 grams for stylus pen. Contact bounce < 10ms

Controller: RS-232 interface

Power consumption: +5V @200mA

OS support: MS DOS, Windows 3.1, Windows 95, Windows 98, Windows NT, Windows 2000.

Ordering Information

- **OPC-2051HT**
Modular system Panel PC, with All-in-one FC/Socket 370 SBC, 15" color TFT LCD display, 70W AC power supply
- **OPC-2051HTT**
OPC-2051HT + Resistive Touchscreen
- **Optional**
 - 15" Aluminum front bezel (color: RAL-7035 white)
 - Slim FDD
 - CPU
 - RAM
 - HDD
 - Slim FDD
 - Slim CD-ROM
 - AKB-106
20 function-key membrane keyboard
 - AKB-107
56 data-entry membrane keyboard