

# ONYX-2217 (ONYX-217)

## Medical Display Terminal, 17" LCD with Smart Interface



On Screen  
Display Control  
Pad



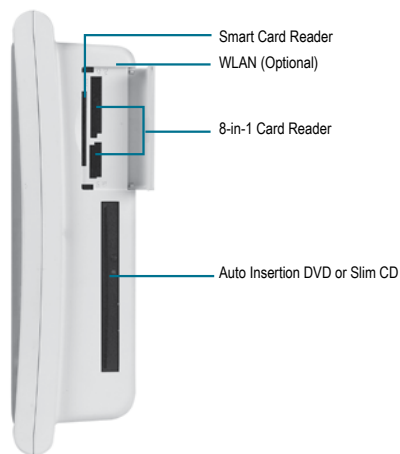
### Features

- 17" True Color High Contrast 300 nits Medical LCD
- Integrated Smart Card Reader Security
- Telemedicine Solution
- 802.11g Wireless Antenna (Optional)
- Integrated Auto-insertion DVD Solution
- Bluetooth (Optional)
- World Wide Medical Safety and EMC Certified



### Specifications

<b>System</b>	
OS Support	MS DOS, Windows® 2000, Windows® XP
Storage Disk Drive	Slim DVD/CD x 1, 8-in-1 Card Reader x 1, Smart Card Reader x 1
<b>Display</b>	
Size	17"
Resolution	1280 x 1024
Max. Colors	16.7M
Luminance	300 nits
Contrast Ratio	500:1
Viewing Angle	140°(H)/ 135°(V)
Back Light MTBF (Hours)	50,000
Touch Screen	Resistive / 2048 x 2048 (optional)
<b>I/O</b>	
Audio	Line-in
USB	External x 3 and internal x 2 and Type B for PC x 1
Signal	VGA x 1, DVI x 1
Parallel Port	Printer port x 1
Video	AV in x 1/ S-video in x 1 (optional)
Speaker	Speaker x 2
<b>Mechanical and Environmental</b>	
Power Requirement	DC Model: 12 V DC
Operating Temperature	32°F ~ 104°F (0°C ~ 40°C)
Storage Temperature	-4°F ~ 140°F (-20°C ~ 60°C)
Storage Humidity	10% ~ 95% @35°C, non-condensing
Mounting	VESA 75/100
Gross Weight	18.04 lb (8.2 kg)
Net Weight	14.08 lb (6.4 kg)
EMC	CE/FCC Class B, UL 60601-1, EN 60601-1

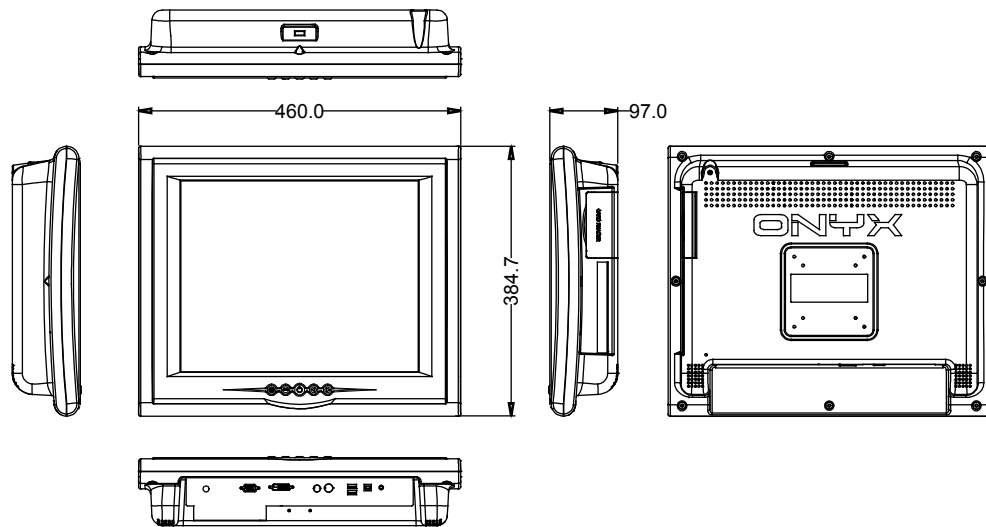


Smart Card Reader  
WLAN (Optional)

8-in-1 Card Reader

Auto Insertion DVD or Slim CD

## Dimension Unit: mm



## Ordering Information

- **TF-ONYX-217HT-A1**  
Smart Medical Display, 17" 300 nits TFT, DC 12, Card Reader, Smart card Reader
- **TF-ONYX-217HTT-A1**  
TF-ONYX-217HT-A1 w/Resistive TouchScreen

## Optional Accessories

- **TF-PER-M21**  
Smart Card reader kit
- **TF-PER-M22**  
8-in-1 Card reader kit
- **TF-PER-M00**  
Slim Auto Insertion DVD ROM, 8X, COMBO, White color
- **TF-PER-M03**  
Slim Auto Insertion DVD-RW, White color
- **TF-PER-M08**  
Barcode Scanner, 500 scans per second
- **TF-PER-M05**  
USB Web CAM, 1.3M pixels
- **TF-PER-M04**  
USB Skype phone
- **TF-PER-M17**  
USB Finger printer
- **9741666646**  
Wireless LAN Kit
- **TF-PER-M15**  
Medical Adapter, 12V 50W
- **PER-M19**  
3-level trolley
- **PER-M20**  
Desktop Stand with VESA 75/100, Cool Gray 3C