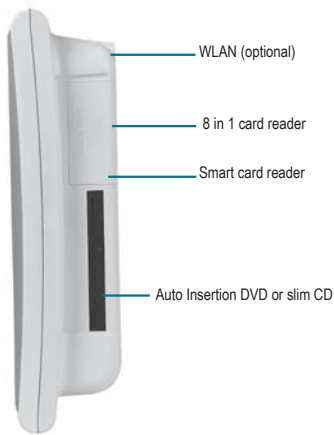


Medical Display Terminal 17" 300 nits LCD with Smart Interface



Features

- 17" True Color High Contrast 300 nits Medical LCD
- Integrated RFID Security and Smart Card Reader
- Total Telemedicine Solution
- 802.11g Wireless Antenna (Optional)
- Integrated DVD/CD ROM Solution
- Bluetooth (Optional)

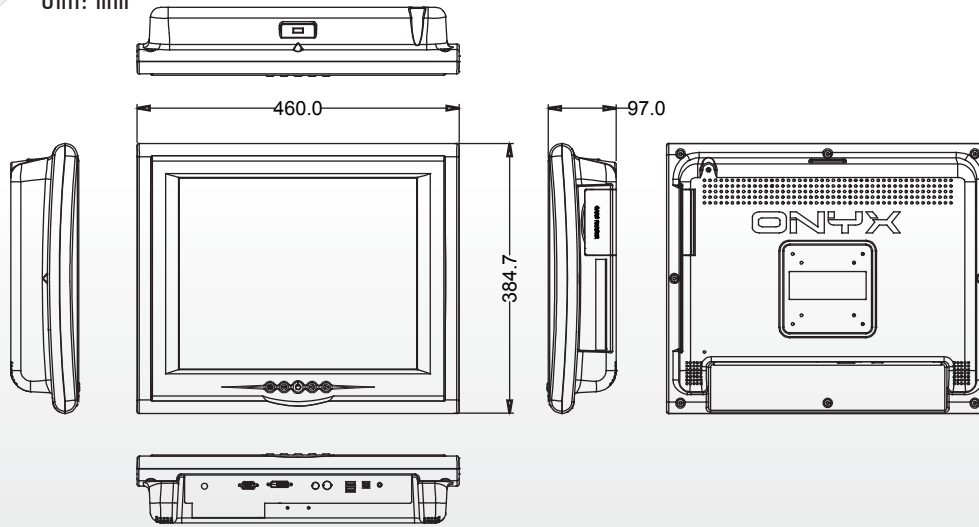


Specifications

System	
OS Support	MS DOS, Windows® 2000, Windows® XP
Drive Bay	1 x Slim DVD/CD, 1 x 2.5" Hard Disk Drive, 1 x 8 in 1 card reader
Display	
Size	17"
Resolution	1024 x 768
Max. Colors	16.7M
Luminance	400 nits
Viewing Angle	150°(H)/ 130°(V)
Back Light MTBF	40,000 hrs
Touch Screen	Resistive / 2048 x 2048
I/O	
Audio	Line-in
USB	3 x external and 2 x internal and 1 x Type B for PC
Signal	1 x VGA, 1 x DVI
Parallel port	1
Video	1 x AV in/ 1 x S-video in (optional)
Speaker	2 speakers
Mechanical and Environmental	
Power Requirement	DC Model: 12 V DC
Operating Temperature	32°F ~ 104°F (0°C ~ 40°C)
Mounting	VESA 75/100
EMC	CE/FCC Class B, UL 60601-1, EN 60601-1

Dimension

Unit: mm



Ordering Information

- **Onyx-217HT-A1**
Medical Display, 17" 300 nits TFT, DC 12, Card Reader, Smart card Reader
- **Onyx-217HTT-A1**
Medical Display, 17" 300nits TFT, DC, Card Reader, Smart Card Reader

Optional Accessories

- **AP-OT9789666626**
Fingerprint Scanner Kit
- **AP-OT9789666629**
RFID Reader Kit 125K
- **AP-OT9789666630**
RFID Reader Kit 13.56M
- **AP-OT9789666627**
Web CAM Kit
- **AP-OT9789666628**
USB Phone Kit
- **9761173001**
Smart Card Kit
- **978A666601**
Slim Auto Insertion DVD ROM, 8X, COMBO
- **AP-VR978A224E02**
Slim CD-RW/DVD ROM COMBO

01

Medical Station
Solutions
- ONYX Series

02

Medical Display
Solutions
- ONYX Series

03

Operator Panel
Solutions
- OMNI Series

04

Robust Panel PC
Solutions

05

Embedded
Controller -
Boxer S Series

06

Embedded
Controller
- BOXER Series

07

Industrial Monitor
Solutions

08

Sun-readable
& Vehicle LCD
Monitors

09

Industrial
Workstation
Solutions

10

Common
Accessories