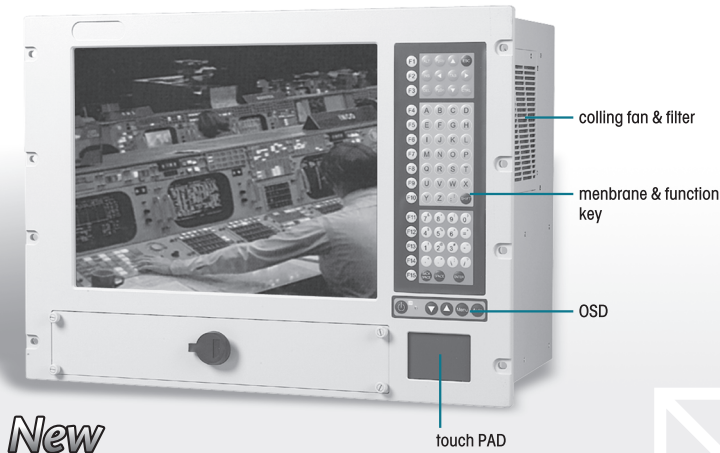


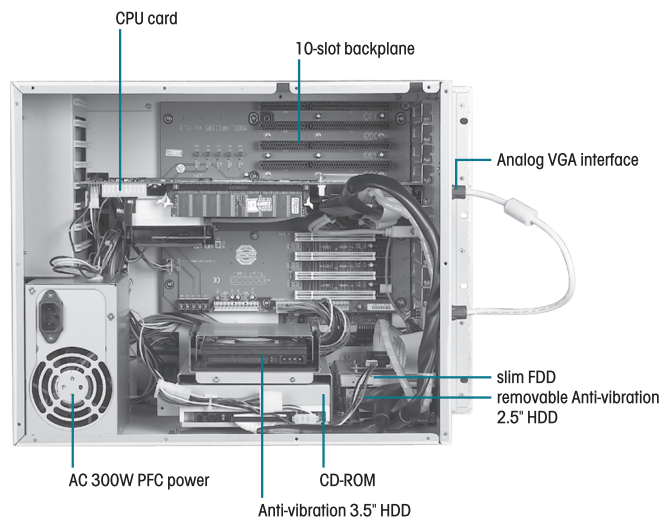
# AWK-3501

The Power That Solves

## Industrial Workstation with 15" TFT LCD and 10 expansion slots



New



### Features

- 15" XGA (1024 x 768) color TFT LCD
- Aluminum alloy front panel and heavy-duty steel chassis
- Disk Drive bay for CD-ROM, Slim FDD and 3.5"/2.5" HDD
- Analog VGA interface
- 4 x PCI, 4 x ISA, 2 x PICMG bus passive backplane
- Support Intel® Pentium® III or Intel® Pentium® 4 level Full-size CPU cards
- Front panel with IP65 certification

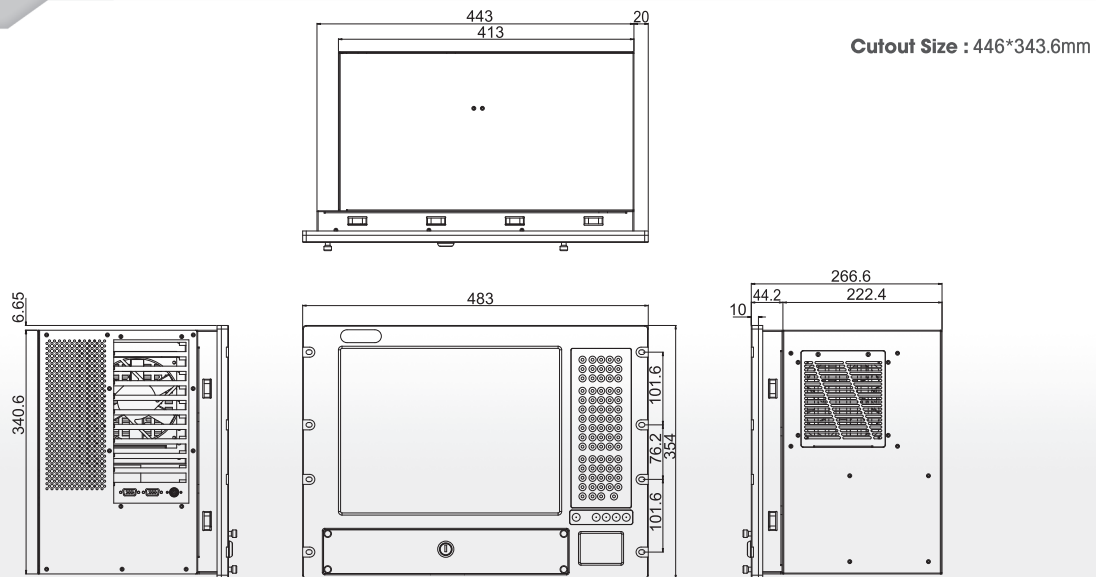


### Specifications

System	
Storage Disk Drive	3.5" HDD, Slim FDD, CD-ROM, 2.5" HDD (option)
USB Connector	Dual USB ports
Membrane Keypads	One with 59 data-keys, one with 12 function keys and 3 programmable function keys
Keyboard/Mouse Connector	PS/2 connector on front panel
Expansion Slot	4 x PCI or 4 x ISA and 2 x PICMG
Power Supply	Universal 300W with PFC switching power supply
OS Support	MS DOS, Windows 98/SE, Windows XP, Windows 2000
Mechanical	
Construction	Aluminum alloy front panel and heavy-duty steel chassis
Front Panel Color	RAL-7305
Dimension	19" (W) x 14" (H) x 10.5" (D) (483mm x 354mm x 266.6mm)
Carton Dimension	26.6" (W) x 18.3" (H) x 17.9" (D) (675mm x 465mm x 455mm)
Gross Weight	57.3 lb (26 Kg)
Environmental	
Operating Temperature	32 °F ~ 122 °F (0 °C ~ 50 °C)
Operating Humidity	5 to 90%, non-condensing
Vibration	1G / 5 ~ 500Hz (Random) / operation
Shock	15G peak acceleration (11 msec. duration) / operation
EMC	CE/FCC Class A
SBC-780 CPU Card Companion	
CPU	Supports Socket 370 based Intel® Pentium® III and VIA C3 processor up to 1.4GHz (FSB 66/100/133MHz)
Memory	Supports up to 1GB SDRAM (168-pin SDRAM DIMM x 2)
LCD/CRT Controller	VIA VT8606 on board VGA controller, shared memory up to 32MB. CRT & LCD panel support.
Ethernet	Realtek 8139D 10/100 Base-T Ethernet controller (optional for two LAN)
I/O Port	2 serial ports : 1 x RS-232, 1 x RS-232/422/485 (One is reserved for touchscreen) 1 parallel port (supports ECP/EPP) 1 PS/2 keyboard and mouse interface

## Dimension

Unit : mm



1

Operator Panel

2

Panel PC

3

LCD PC

4

Embedded Control PC

5

Workstation

6

Display Monitor

7

IPC Solution

8

Full-Size CPU Card

9

Half-Size CPU Card

10

Accessory

SBC-860 CPU Card Companion	
CPU	Supports Socket 478 based Intel® Pentium®4 processor up to 3.06GHz (FSB 400/533MHz)
Memory	Supports up to 2GB SDRAM (184-pin DDR SDRAM DIMM x 2)
LCD/CRT Controller	Intel® 82845GV on board VGA controller, shared memory up to 64MB. CRT panel support only.
Ethernet	Option 1 : 10/100 Base-T Ethernet controller (standard) Option 2 : 2 x 10/100 Base-T Ethernet controller Option 3 : 1 x 10/100 Base-T Ethernet controller and 1 x Giga Ethernet controller
I/O port	2 serial ports : 1 x RS-232, 1 x RS-232/422/485 (One is reserved for touchscreen) 1 parallel port (supports ECP/EPP) 1 PS/2 keyboard and mouse interface
Power Supply	
AC Model	Input : 100 ~ 240V AC Full Range, 47-60Hz Output : +5V@30A, -5V@0.5A, +12V@18A, -12V@1A, 3.3V@15A, +5sb@2A
LCD	
Display Type	15" color TFT LCD
Max. Resolution	1024 x 768
Max. Colors	262K
Dot Size	0.297mm x 0.297mm
Luminance	250 cd/m <sup>2</sup> (TYP.)
Viewing Angle	140° (H) 160° (V)
Brightness Control	Yes
Back Light MTBF	30,000 hrs
Touchscreen (optional)	
Type	8-wire, analog resistive
Resolution	2048 x 2048
Light Transmission	75%
Lifetime	1 million activations
OS Support	MS DOS, Windows 98/SE, Windows 2000, Windows XP, Linux 8.0

## Ordering Information

- **AWK-3501HT-A1**  
15" TFT, 10-Slot Backplane, 300W ATX AC power supply, FDD, CD-ROM
- **AWK-3501HTT-A1**  
AWK-3501HT-A1 with resistive touchscreen

## Accessory Options

- **SBC-780**  
Full-size Intel® Pentium® III processor CPU Card
- **SBC-860**  
Full-size Intel® Pentium® 4 processor CPU Card
- **1759200329**  
CPU cooler for SBC-780
- **1759200155**  
CPU cooler for SBC-860