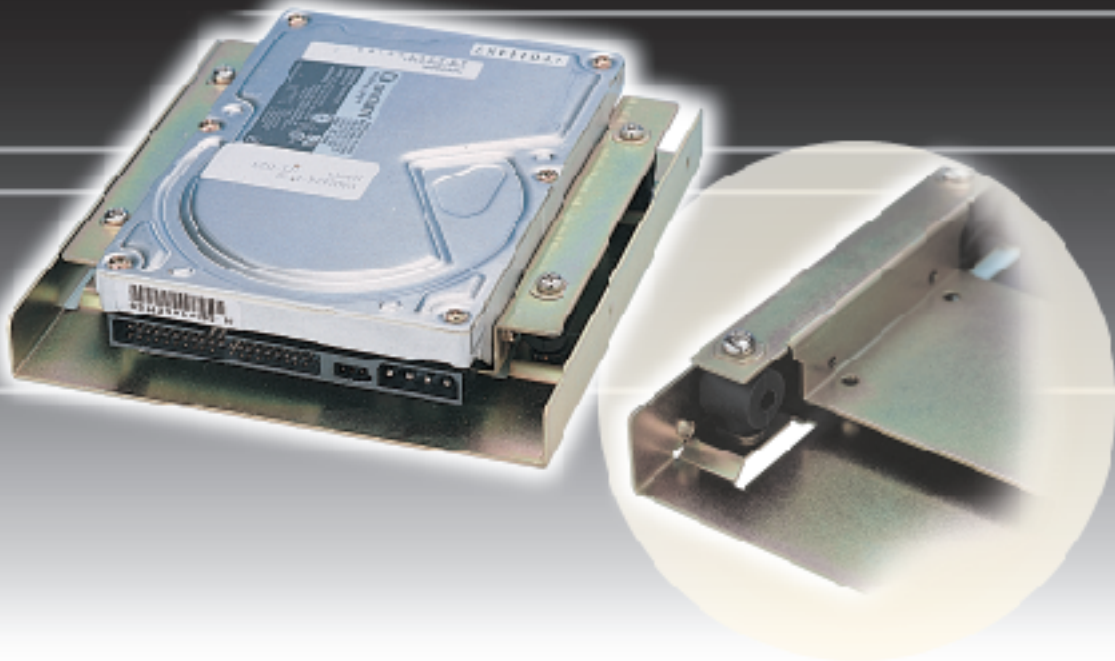


Rugged Anti-Vibration Drive Chassis



Features

- Resistant different shock side and vibration
- Standard dimension and mounting holes fixed many kinds of hard drives
- Two models keeping 3.5" and 5.25" mounting hole dimension easily be install
- AS-25 support 2.5" HDD into 3.5" Housing
- AS-35 support 3.5" HDD into 5.25" Housing
- AS-25 support all Panel PC and Workstations
- AS-35 support AMB-551, AMB-618/318, AMB-632, and AMB-655

Environmental Specifications

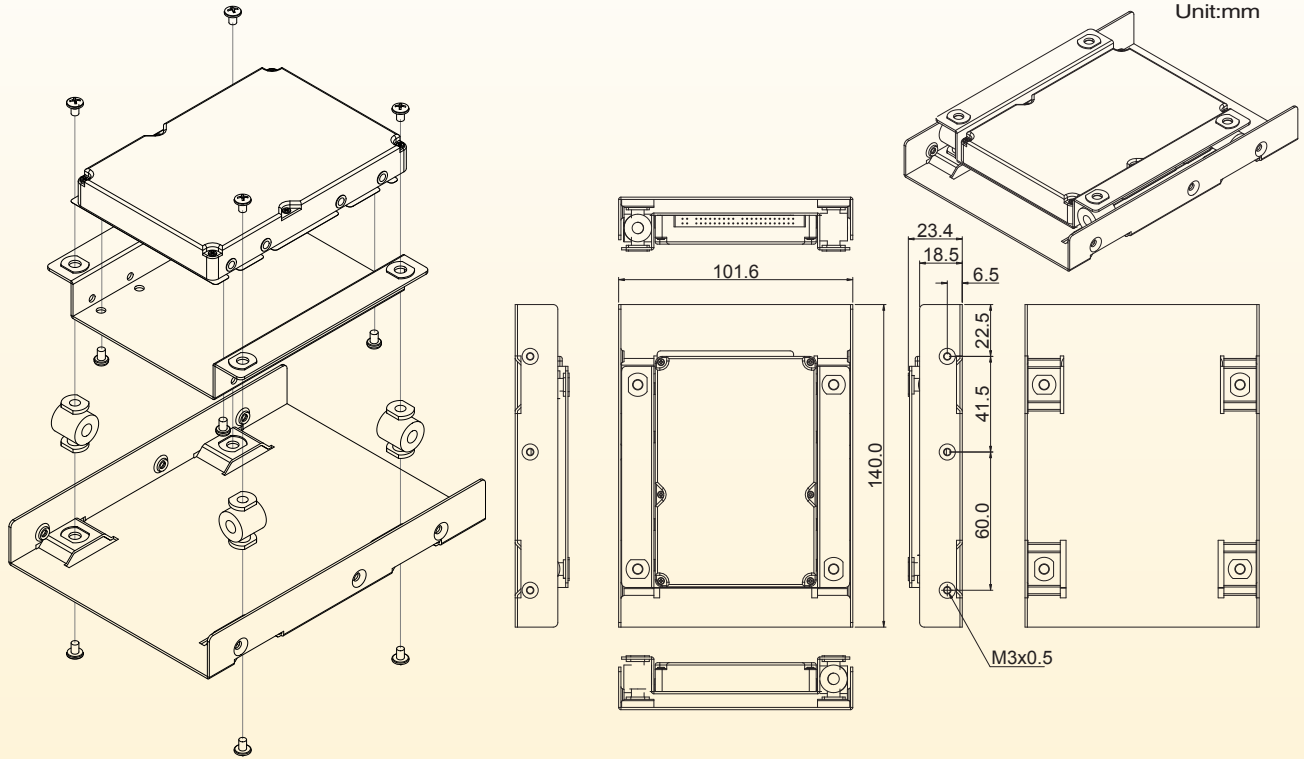
- **Operating temperature** : 0° to 70°C (32° ~ 158°F)
- **Storage temperature** : -20° to 85°C (-4° ~ 185°F)
- **Vibration** :
5 to 20Hz, 5.0G peak to peak
60 to 200 Hz, 30G peak to peak
- **Shock (operating)** :
50G peak acceleration (10 ms. duration)

Applications

- Industrial PCs
- Portable PCs
- Man-machine & factory computer
- File servers
- Automobile computer
- POS system

Dimension

AS-25



AS-35

