

AOP-8120

The Power That Solves

Ultra Low Voltage Intel® Celeron® Processor based Fanless Operator Panel PC with 12.1" TFT LCD



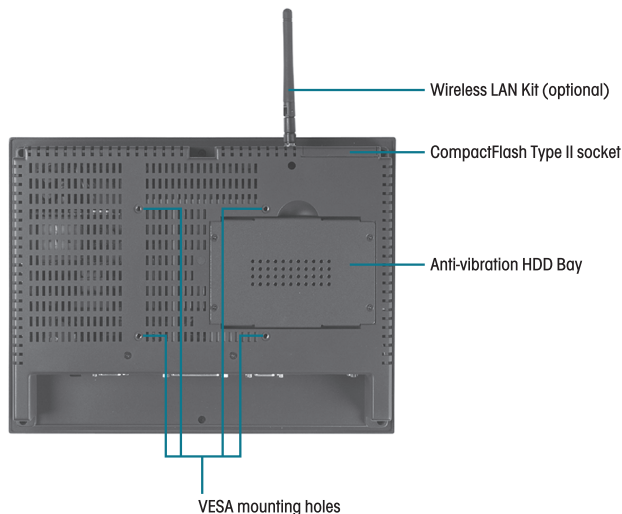
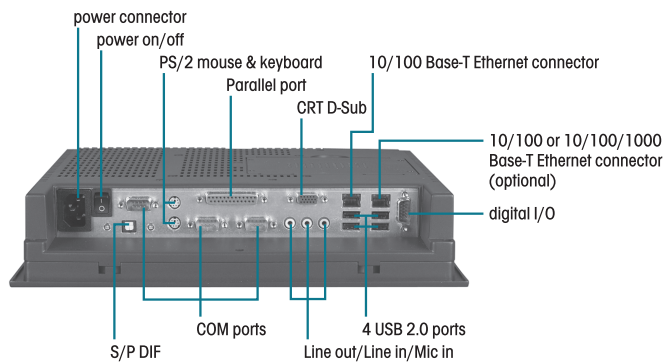
IP65 certified front panel with touchscreen

New



Features

- 12.1" TFT SVGA (800 x 600) LCD
- Onboard ultra low voltage Intel® Celeron® processor 650MHz
- Anti-vibration disk drive bay for HDD
- Touchscreen, Mini PCI and CompactFlash™ card support
- 10/100Base-Tx or Giga Ethernet (optional)
- Windows® CE.NET 4.2 and Embedded Windows® XP support (optional)
- Up to 8 in or 8 out Digital I/O
- Slim and Fanless solution

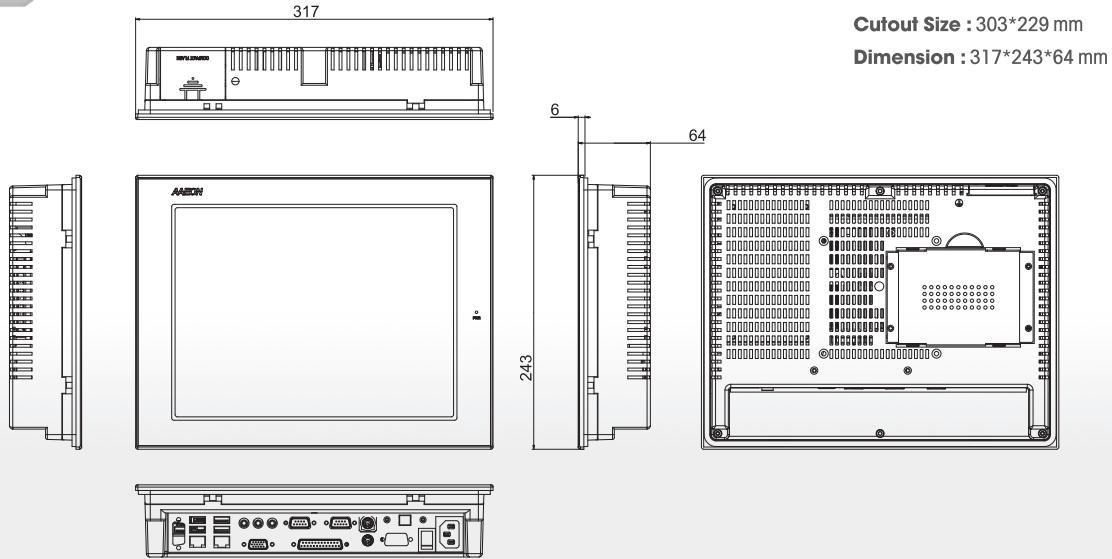


Specifications

System	
CPU	Onboard Ultra Low Voltage Intel® Celeron® processor 650MHz
Memory	Supports up to 1GB DDR SDRAM
LCD/CRT Controller	VIA CLE266, share up to 32MB
Ethernet	Realtek 8100BL 10/100Base-Tx RJ-45 connector x 1 Realtek 8100C 10/100 Base-Tx RJ-45 connector x 1 or 8110S 10/100/1000 Base-Tx RJ-45 connector x 1 (optional)
I/O Port	3 serial ports : 2 x RS-232, 1 x RS-232/422/485 (COM 4 is reserved for touchscreen) 1 parallel port (supports ECP/EPP) 1 PS/2 mouse port 1 PS/2 keyboard port 1 VGA port 4 USB 2.0 ports Mic in, Line in, Line out, S/P DIF out 1 digital I/O (Support up to 8 in or 8 out)
Storage Disk Drive	Anti-vibration 2.5" HDD
Expansion Slot	1 x Mini PCI slot, 1 x CompactFlash slot
OS Support	Windows 98SE, Windows 2000, Windows XP, Windows CE.Net 4.2 (optional), Windows XP Embedded (optional)
Mechanical	
Construction	Plastic chassis IP-65 certified front panel
Front Panel Color	PMS 2965C (Dark Blue)
Mounting	Panel Mount, VESA 100mm holes
Dimension	12.5" (W) x 9.6" (H) x 2.5" (D) (317mm x 243mm x 64mm)
Carton Dimension	13" (W) x 12.6" (H) x 8.3" (D) (330mm x 320mm x 210mm)
Gross Weight	10lb (4.5Kg)

Dimension

Unit : mm



Environmental	
Operating Temperature	32 °F ~ 104 °F (0 °C ~ 40 °C)
Storage Temperature	-4 °F ~ 140 °F (-20 °C ~ 60 °C)
Operating Humidity	10 to 90%@35 °C, non-condensing
Vibration (CompactFlash Type)	continuous : 10Hz to 57Hz 0.035mm, 57Hz to 150Hz 4.9m/s ² . X, Y, Z directions for 10 times (80min.) not continuous : 10Hz to 57Hz 0.075mm, 57Hz to 150Hz 9.8m/s ²
Shock	—
EMC	CE/FCC Class A
Power Supply	
AC Input 65W (standard offer)	Input : 85V _{AC} ~ 270V _{AC} @ 47 ~ 63Hz Output : +5V@10A, +12V@1.5A, -12V@0.3A
24V DC Input 72W	Input : 10V _{DC} ~ 30V _{DC} @ 13A max Output : +5V@10A, +12V@1.5A, -12V@0.3A
LCD	
Display Type	12.1" color TFT LCD
Max. Resolution	800 x 600
Max. Colors	256K
Dot Size	0.3075mm x 0.3075mm
Luminance	200 cd/m ² (TYP.)
Viewing Angle	90 ° (H) 40 ° (V)
Back Light MTBF	20,000 hrs
Touchscreen (optional)	
Type	8-wire, analog resistive
Resolution	2048 x 2048
Light Transmission	> 78%
Lifetime	1 millions activations
OS Support	Windows 98SE, Windows 2000, Windows XP, Windows CE.Net 4.2, Embedded Windows XP (optional)

Ordering Information

● AOP-8120T-A1

Intel ULV Celeron 650MHz Fanless Operator Panel with 12.1" TFT, Ethernet and touchscreen

Accessory Options

● ARM-LA0115

Swivel arm with VESA 75/100mm Standards

● ARM-WK075-0

Wall mount kit with VESA 75/100 mm standards

● STAND-158D00

Desktop stand with VESA 75 mm standards

1
Operator Panel

2
Panel PC

3
LCD PC

4
Embedded Control PC

5
Workstation

6
Display Monitor

7
IPC Solution

8
Full-Size CPU Card

9
Half-Size CPU Card

10
Accessory