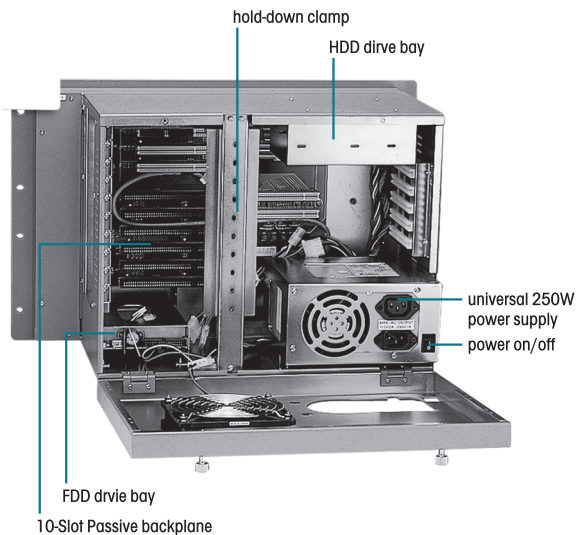
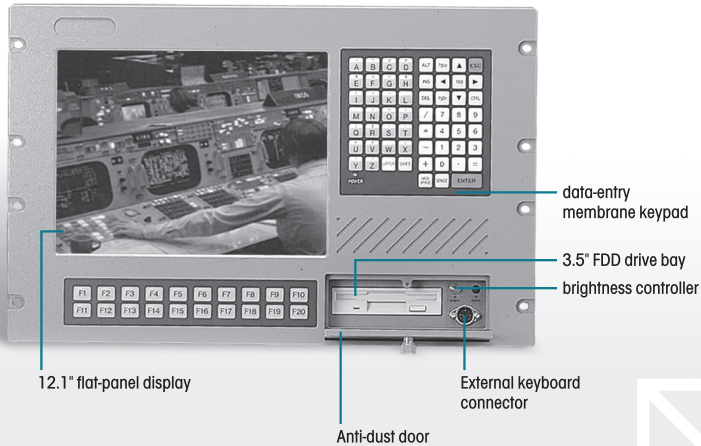


AMB-632

The Power That Solves

Industrial Workstation with 12" TFT LCD and 10 expansion slots



Features

- 12.1" SVGA (800 x 600) color TFT LCD
- Aluminum alloy front panel and heavy-duty steel chassis
- Disk Drive bay for FDD and 3.5" HDD
- Two sealed membrane keyboard, 59 data-keys and 20 function keys
- 4 x PCI, 2 x PICMG, 4 x ISA bus passive backplane

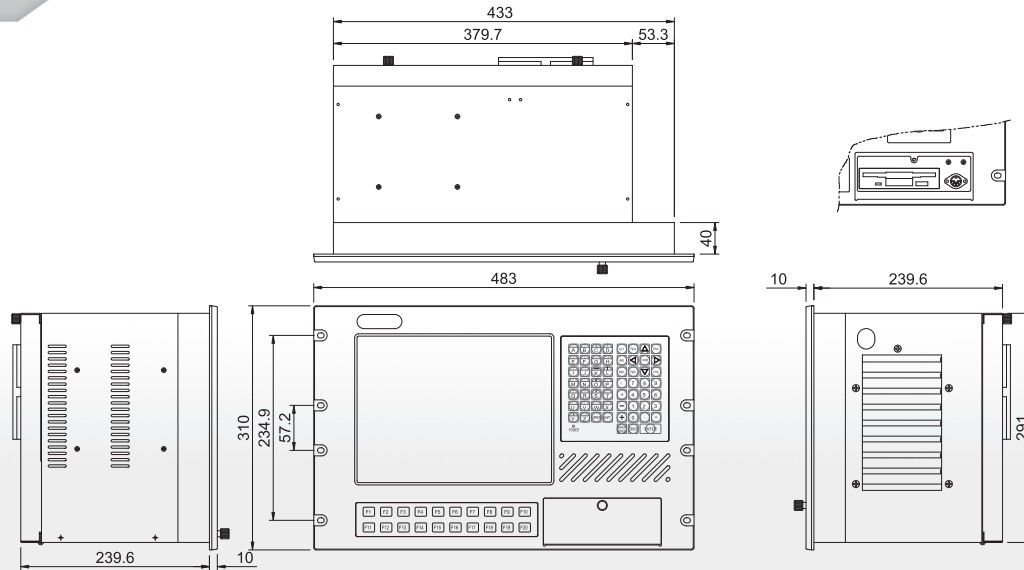


Specifications

| System | |
|--------------------------|--|
| CPU | Socket 370-based Intel® Pentium® III / Intel® Celeron® CPU supports up to 1.0GHz (FSB 66/100MHz) |
| Memory | SDRAM supports up to 768MB |
| LCD/CRT Controller | C&T 69000 VGA controller with 2MB SDRAM. CRT & LCD panel support. |
| Ethernet | Realtek RTL8139 ; 10/100 Base-T Ethernet connector x 1 |
| I/O Panel | 2 serial ports : 1 x RS-232, 1 x RS-232/422/485 (COM2 is reserved for touchscreen) 1 parallel port (supports ECP/EPP) 1 PS/2 mouse and keyboard port |
| Storage Disk Drive | 3.5" HDD and FDD |
| USB Connector | Dual USB ports |
| Membrane Keypads | One with 59 data-keys, one with 10 function keys and 10 programmable function keys |
| Keyboard/Mouse Connector | 1 PS/2 connector on front panel with anti-dust door |
| Expansion Slot | 4 x PCI, 4 x ISA and 2 x PICMG |
| Power Supply | Universal 250W switching power supply |
| OS Support | MS DOS, Windows 98/SE, Windows NT4.0, Windows 2000 |
| Mechanical | |
| Construction | Aluminum alloy front panel and heavy-duty steel chassis |
| Front Panel Color | PMS-403C (military green) |
| Dimension | 19" (W) x 12.2" (H) x 9.4" (D) (483mm x 310mm x 239.6mm) |
| Carton Dimension | 24.2" (W) x 15.0" (H) x 20.8" (D) (615mm x 382mm x 530mm) |
| Gross Weight | 28.7lb (13 Kg) |
| Environment | |
| Operating Temperature | 32° F ~ 113° F (0° C ~ 45° C) |
| Operating Humidity | 10 to 95%, non-condensing |
| Vibration | Random Non-operation 2G 5 ~ 500Hz |
| Shock | 10G peak acceleration (11 msec. duration) |
| EMC | CE/FCC Class A |

Dimension

Unit : mm



1

Operator Panel

2

Panel PC

3

LCD PC

4

Embedded Control PC

5

Workstation

6

Display Monitor

7

IPC Solution

8

Full-Size CPU Card

9

Half-Size CPU Card

10

Accessory

| Power Supply | |
|------------------------|---|
| AC Model | Input : 85 - 265V AC@47 - 63Hz Output : +5 V@24 A; +12 V@12 A; -5 V@1 A; -12 V@1 A |
| DC Model | Input : 19 ~ 32 VDC Output : +5 V@25 A; +12 V@10 A; -5 V@1 A; -12 V@1 A |
| LCD | |
| Display Type | 12.1" color TFT LCD |
| Max. Resolution | 800 x 600 |
| Max. Colors | 256K |
| Dot Size | 0.3075mm x 0.3075mm |
| Luminance | 250 cd/m ² (TYP.) |
| Viewing Angle | 120° (H) 90° (V) |
| Brightness Control | Yes |
| Back Light MTBF | 50,000 hrs |
| Touchscreen (optional) | |
| Type | 8-wire, analog resistive |
| Resolution | 1024 x 1024 |
| Light Transmission | 75% |
| Lifetime | 1 million activations |
| OS Support | MS DOS, Windows 98/SE, Windows NT4.0, Windows 2000 |

Ordering Information

- **AMB-632HT-B4**
12.1" TFT, MBC-265B VGA card, 10-Slot Backplane, 250W AC power supply
- **AMB-632HT-B5**
12.1" TFT, MBC-165B VGA card, 10-Slot Backplane, 250W DC24V power supply
- **AMB-632HT-B6**
12.1" TFT, MBC-265B VGA card, 10-Slot Backplane, 160W DC12V power supply
- **AMB-632HT-B7**
12.1" TFT, MBC-265B VGA card, 10-Slot ISA Backplane, 250W AC power supply
- **AMB-632HT-B8**
Industrial Workstation with 12.1" TFT, MBC-266B VGA card, 10-Slot Backplane, 250W AC power supply
- **AMB-632HTT-B4**
AMB-632HT-B4 with resistive touchscreen
- **AMB-632HTT-B5**
AMB-632HT-B5 with resistive touchscreen
- **AMB-632HTT-B6**
AMB-632HT-B6 with resistive touchscreen
- **AMB-632HTT-B7**
AMB-632HT-B7 with resistive touchscreen
- **AMB-632HTT-B8**
AMB-632HT-B8 with resistive touchscreen