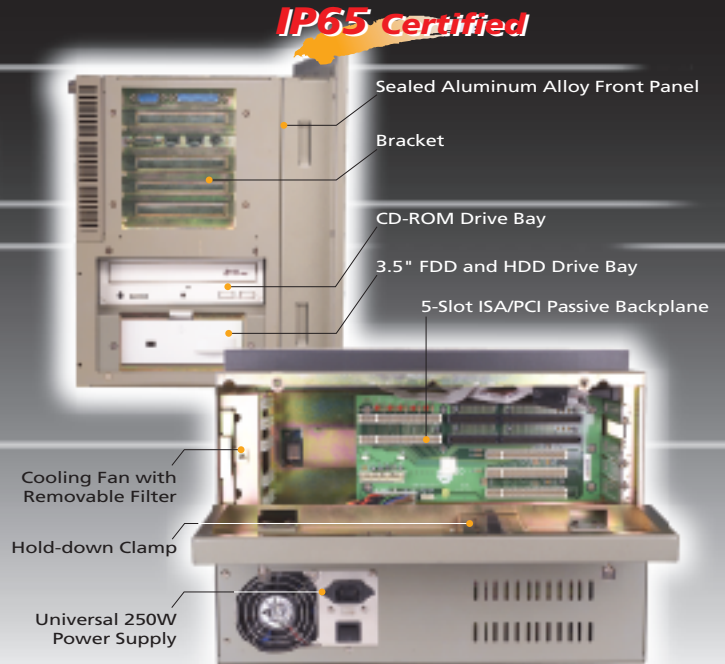


15" Industrial Panel PC with 5-Slot Backplane



▲ AMB-551



Features

- 15" XGA color TFT LCD display
- Heavy-duty steel chassis and aluminum alloy front panel
- Water-proof front panel is IP65 certified
- Supports DiskOnChip and DiskOnModule
- Anti-vibration disk drive bay for HDD
- Hold-down clamp to protect add-on card from vibration
- Cooling fan filter is easy to be replaced
- 30 CFM cooling fan
- Expansion combinations : 2 x PCI, 2 x PICMG, 1 x ISA or 3 x PCI, 1 x PICMG, 1 x ISA

Specifications

- **Construction** : Heavy-duty steel chassis & IP65 aluminum alloy front panel
- **CPU** : Supports Socket 370 based Intel® Pentium® III processor up to 1.0 GHz / Celeron® processor up to 800MHz (FSB 66/100MHz)
- **Memory** : Supports up to 768MB
- **Display** : 15" XGA (1024 x 768) color TFT LCD
- **LCD/CRT controller** : ATI RAGE Mobility-M1 AGP-2X
- **Network (LAN)** : Intel 82559ER 10/100Base-T Ethernet controller
- **I/O ports** :
 - 2 serial ports : 1 x RS-232, 1 x RS-232/422/485
(One is reserved for touchscreen)
 - 1 parallel port (support ECP/EPP)
 - 1 PS/2 mouse interface
 - 1 PS/2 keyboard interface

Flat Panel Control Card

MBC-2690/MBC-2693+LVDS

- **Type** : Half-size PCI-bus
- **Video Chip** : C&T 69000 (MBC-2690) or 69030 (MBC-2693)
- **DRAM** : On-board 2MB (MBC-2690) or 4MB (MBC-2693)
- **Connectors** : Built in 18/24/36-bit panel connector
- **Max. resolution and color** :
 - * MBC-2690 (C&T 69000) : 1280 x 1024 @ 16 colors
 - * MBC-2693 (C&T 69030) : 1600 x 1200 @ 16bits color

- **Disk Drive Housing** :
 - 3.5" HDD, FDD and 5.25" CD-ROM
- **USB connector** : Dual USB ports
- **Front panel color** : PMS-403C (military green)
- **Mounting** : Panel mount
- **Expansion slots** : 2 x PCI, 2 x PICMG, 1 x ISA or 3 x PCI, 1 x PICMG, 1 x ISA
- **Power supply** : Universal 250W switching power supply
- **OS support** : MS DOS, Windows 98/SE, Windows NT4.0, WIndows 2000
- **Dimension (W x H x D)** :
 - 440 x 320 x 225mm (17.3" x 12.5" x 8.8")
- **Carton Dimension (W x H x D)** :
 - 620 x 520 x 395mm (24.4" x 20.4" x 15.5")
- **Gross Weight** : 19 Kg (41.9 lbs)

*Note : Above specification is for integration with SBC-676 CPU card.

Power supply

- **Input Voltage** : 85 ~ 265V AC@47 ~ 63Hz, switching

24V DC Input 250W (optional)

- **Input Voltage** : 19 ~ 32V DC

LCD Specifications

Model	AMB-551
Display type	15" color TFT LCD
Max. resolution	1024 x 768
Max. colors	256K
Dot size (mm)	0.313 x 0.329
Luminance (cd/m²)	250 (TYP)
Viewing angle	160° (H) 160° (V)
Operating temperature	0° ~ 45°C (32 ~ 113°F)
Brightness control	Yes
Back Light MTBF(Hrs)	50,000

Environmental Specifications

- **Operating temperature** : 0° to 45°C (32 ~ 122°F)
- **Operating humidity** : 5 to 90%, non-condensing
- **Storage temperature** : -20° to 60°C (-4 ~ 140°F)
- **Storage humidity** : 5 to 95%, non-condensing
- **Relative humidity** : 5 to 95%, non-condensing
- **Vibration** :
10 to 150 Hz, 0.75mm peak to peak (operation)
- **Shock** : 15G peak acceleration (11 msec. duration)
- **EMC** : CE/FCC Class A

Touchscreen (optional)

Type : 8-wire, analog resistive

Resolution : 1024 x 1024

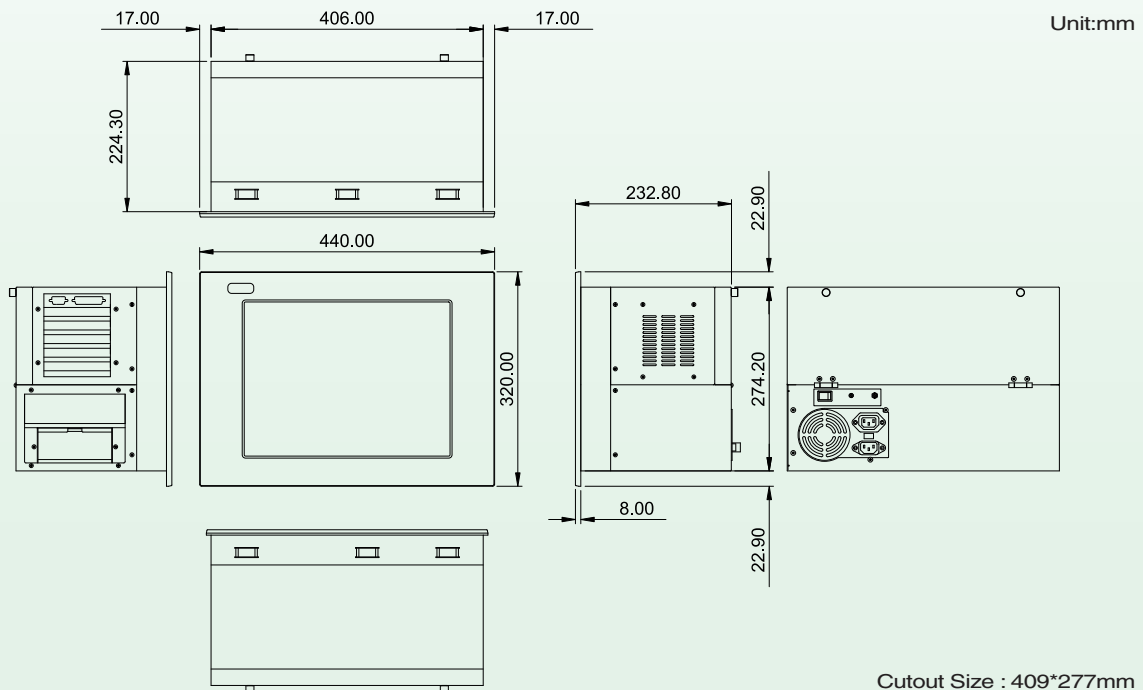
Light transmission : 75%

Lifetime : 1 million activations

Controller : RS-232 interface

Dimension

AMB-551



Cutout Size : 409*277mm