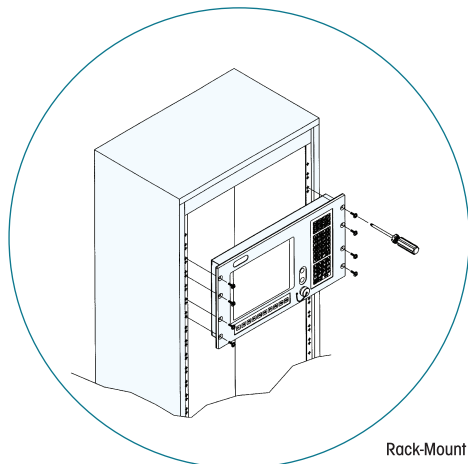
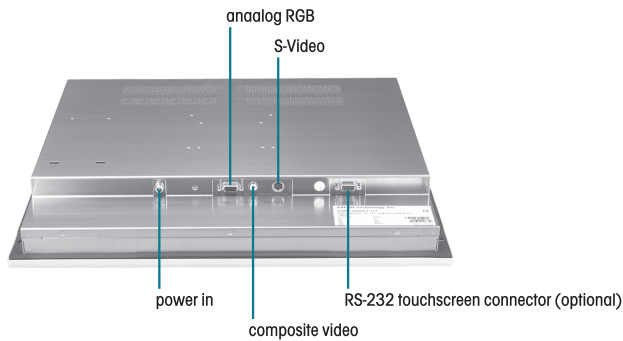
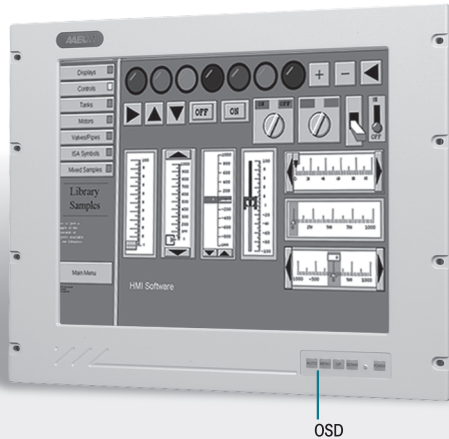


AMB-280A

The Power That Solves

18" TFT Industrial Display Monitor



Features

- 18" TFT SXGA LCD
- Stainless steel close-frame architecture with IP65 certified aluminum front panel
- RGB, Composite video, S-Video input signal selectable
- Picture-In-Picture function enable
- VESA 75/100mm standard screw holes

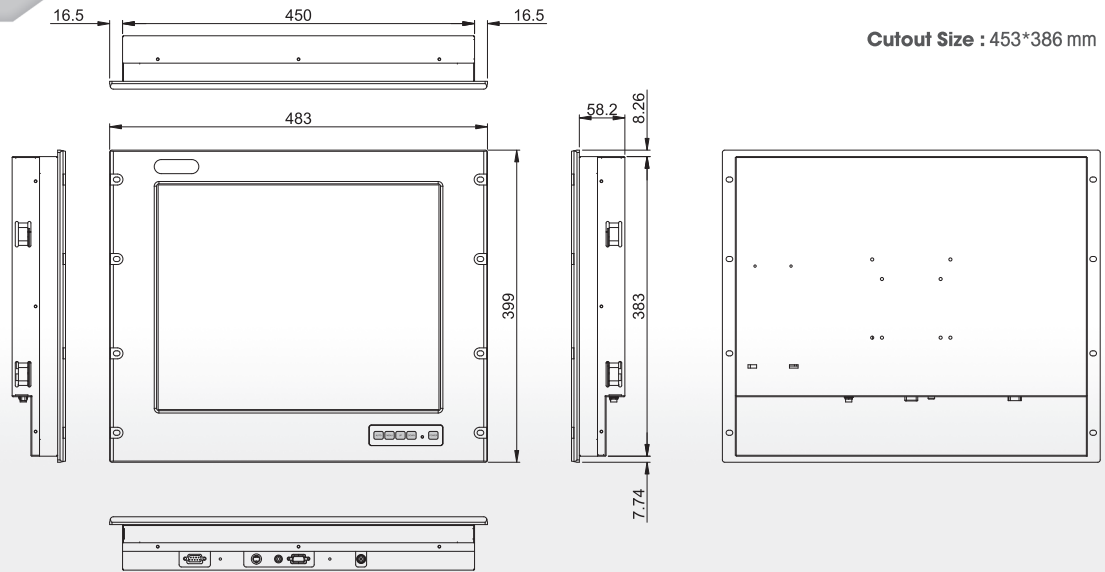


Specifications

System	
Input Signal	RGB, Composite video, S-Video
OSD Control	Brightness, Contrast, Phase, Sharpness, AutoTune, PIP, H/V-position
OS support	MS DOS, Windows 98SE, Windows 2000, Windows XP
Mechanical	
Construction	Stainless steel chassis & aluminum alloy front panel
Front Panel Color	RAL 7035
Mounting	Panel Mount or Rack Mount Optional : Wall mount kit, Swivel ARM
Dimension	19" (W) x 15.7" (H) x 2.7" (D) (483mm x 399mm x 68.2mm)
Carton Dimension	25" (W) x 24.9" (H) x 11.2" (D) (636mm x 631mm x 283mm)
Gross Weight	29.8lb (13.5Kg)
Environmental	
Operating Temperature	32 °F ~ 113 °F (0 °C ~ 45 °C)
Storage Temperature	-4 °F ~ 140 °F (-20 °C ~ 60 °C)
Operating Humidity	10 to 90% @ 40 °C, non-condensing, without touchscreen
Vibration	1G / 5 ~ 500Hz (Random) / Operation
Shock	15G peak acceleration (11 msec. duration) / Operation
EMC	CE/FCC Class A
Power Supply	
External Power Adaptor 60W	Input : 100 to 240 ± 10% Vac, Full Range Output : +12V _{DC} @5A

Dimension

Unit : mm



LCD	
Display Type	18" color TFT LCD
Max. Resolution	1280 x 1024
Max. Colors	16.7M
Dot Size	0.2805mm x 0.2805mm
Luminance	250 cd/m ² (TYP)
Viewing Angle	160° (H) 160° (V)
Brightness Control	Yes
Back Light MTBF	40,000 hrs
Touchscreen (optional)	
Type	8-wire, analog resistive
Resolution	1024 x 1024
Light Transmission	75%
Lifetime	1 million activations
OS Support	MS DOS, Windows 98SE, Windows 2000, Windows XP

Ordering Information

- **AMB-280A-D**
18" SXGA TFT Display Monitor
- **AMB-280AT-D**
AMB-280A-D with resistive touchscreen

Accessory Options

- **ARM-LA0115**
Swivel arm with VESA 75/100mm standards
- **ARM-WK075-0**
Wall mount kit with VESA 75/100mm standards

1

Operator Panel

2

Panel PC

3

LCD PC

4

Embedded Control PC

5

Workstation

6

Display Monitor

7

IPC Solution

8

Full-Size CPU Card

9

Half-Size CPU Card

10

Accessory