



## AMB-2450



◀ **AMB-2450**  
15" Flat Panel + ACS-2310 Control Box



**ACS-2310 Control Box** ▶  
10-Slot backplane  
with 4 x PCI, 4 x ISA, 2 x PICMG Slots



▶ **Disassemble Front Panel from Control Box for Easy Installation and Maintenance**

## Features

- 15" XGA color TFT LCD display
- Aluminum alloy front panel and heavy-duty steel chassis
- All-in-one FC-PGA Socket 370 SBC
- Memory up to 768MB
- Disk drive bay for slim CD-ROM, 3.5" FDD and HDD
- Membrane keypad and finger mouse
- 4 x PCI, 4 x ISA, 2 x PICMG backplane
- Resistive touchscreen (optional)

## Specifications

- **Construction** : Heavy-duty steel chassis & aluminum alloy front panel
- **CPU** : Supports Celeron 566MHz, up to Pentium® III 1.0GHz (FSB 66/100MHz)
- **Memory** : Supports up to 768MB
- **Display** : 15" XGA (1024 x 768) color TFT LCD
- **LCD/CRT controller** : C&T 69000 VGA controller with 2MB SDRAM. CRT & LCD panel support
- **Network (LAN)** : Realtek RTL8139 Family 10/100 Base-T Ethernet controller
- **I/O ports** :  
2 serial ports : 1 x RS-232, 1 x RS-232/422/485 (jumper selection)  
1 PS/2 keyboard interface
- **Disk Drive Housing** :  
Slim CD-ROM, 3.5" FDD and 3.5" HDD
- **USB connector** : Dual USB pin header
- **Expansion Slots** : 4 x PCI, 4 x ISA, 2 x PICMG slots
- **Front panel color** : RAL-7035 (white)
- **Mounting** : Rack mount, 8U height
- **Power supply** :  
Universal 250W switching power supply
- **OS support** : MS DOS, Windows 98/SE, Windows NT4.0, Windows 2000
- **Dimension (W x H x D)** :  
483 x 355 x 225mm (19" x 14" x 8.8" )
- **Carton Dimension (W x H x D)** :  
620 x 385 x 513mm (24.4" x 15.1" x 20.2" )

## LCD Specifications

<b>Model</b>	AMB-2450
<b>Display type</b>	15" color TFT LCD
<b>Max. resolution</b>	1024 x 768
<b>Max. colors</b>	256K
<b>Dot size(mm)</b>	0.297 x 0.297
<b>Luminance (cd/m<sup>2</sup>)</b>	250 (TYP)
<b>Viewing angle</b>	160° (H)
	160° (V)
<b>Operating temperature</b>	0° ~ 45°C (32 ~ 113°F)
<b>Brightness Control</b>	Digital
<b>Back Light MTBF (Hrs)</b>	50,000

## Environmental Specifications

- **Operating temperature** : 0° to 45°C (32° ~ 113°F)
- **Storage temperature** : -20° to 60°C (-4 ~ 140°F)
- **Relative humidity** : 10 to 95% @ 40°C, non-condensing
- **Vibration** : 1G / 5 ~ 500Hz / random operation
- **Shock** : 10G, peak acceleration (11 msec. duration)
- **EMC** : CE / FCC Class A

## Power Supply

- **Input Voltage** : 85 ~ 265V AC @47~63Hz, switching

### 24V DC input 250W (Optional)

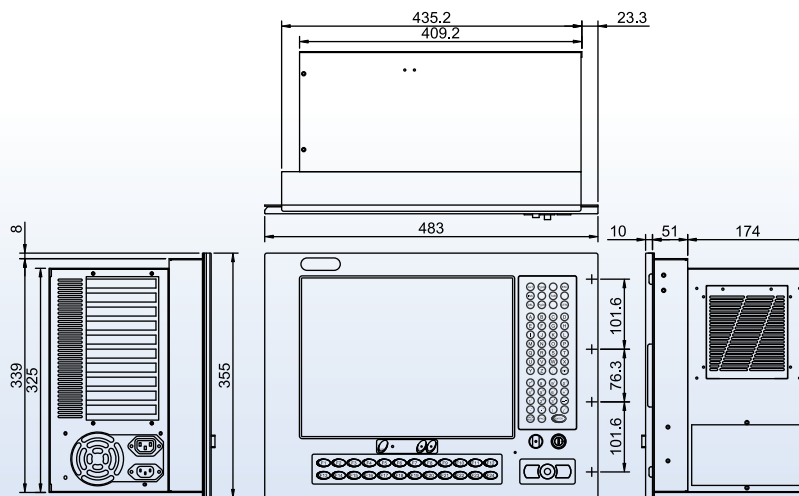
- **Input Voltage** : 19 ~ 32V DC

## Touchscreen (optional)

**Type** : 8-wire, analog resistive  
**Resolution** : 1024 x 1024  
**Light transmission** : 75%  
**Lifetime** : 1 million activations  
**Controller** : RS-232 interface

## Dimension

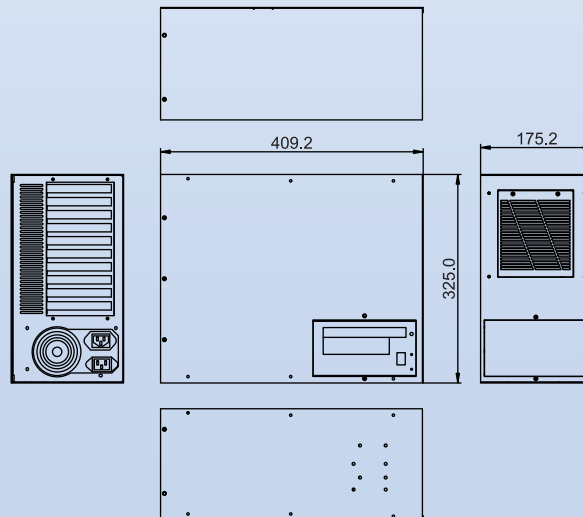
**AMB-2450**



Unit:mm

Cutout Size : 439\*342mm

**ACS-2310**



Unit:mm