

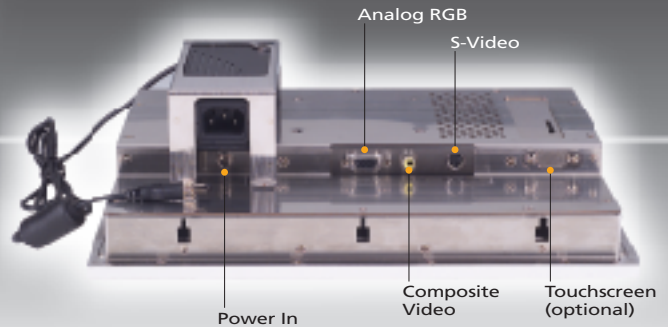
10.4" Industrial Display Monitor

IP65 certified



▲ AMB-232A

On Screen Display



Analog RGB

S-Video

Power In

Composite Video

Touchscreen (optional)

Features

- 10.4" VGA color TFT LCD display
- Heavy-duty stainless steel chassis
- Aluminum alloy front panel is IP65 certified
- OSD (On Screen Display) on the front panel for user friendly operation
- Strengthened glass protects the screen from shock damage
- Analog RGB signal direct input offering multi-scan function
- RGB, Composite video, S-Video signal selectable
- VESA 75mm standard screw holes
- Resistive touchscreen (optional)

Specifications

- **Construction** : Heavy-duty stainless steel chassis & Aluminum alloy front panel
- **Front panel color** : RAL-7035 (white)
- **Mounting** : Panel mount
Optional : Swivel arm, Desk stand
- **Input signal** : RGB, Composite video, S-Video
- **Control** : OSD (On Screen Display) on front panel
- **Power Supply** : External power adapter
- **OS support** : MS DOS, Windows 98/SE, Windows NT4.0, Windows 2000
- **Dimension (W x H x D)** :
309 x 216 x 46.8mm (12.2" x 8.5" x 1.8")
- **Carton dimension (W x H x D)** :
373 x 359 x 330mm (14.7" x 14.1" x 13")
- **Gross Weight** : 5.6Kg (12.4 lbs)

LCD Specifications

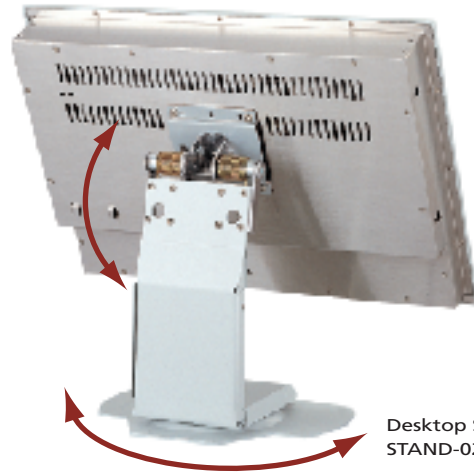
Model	AMB-232A
Display type	10.4" color TFT LCD
Max. resolution	800 x 600
Max. colors	256K
Dot size(mm)	0.264 x 0.264
Luminance (cd/m ²)	230 (TYP)
Viewing angle	120° (H)
	100° (V)
Operating temperature	0° ~ 45°C (32 ~ 113°F)
OSD	Yes
Back Light MTBF (Hrs)	20,000

Environmental Specifications

- **Operating temperature** : 0° to 45°C (32° ~ 113°F)
- **Storage temperature** : -20° to 60°C (-4 ~ 140°F)
- **Storage humidity** : 10 to 95% @ 40°C, non-condensing, without touchscreen
- **Vibration** : 10 ~ 150Hz, 0.15mm 10 cycle 1G
- **Shock** : 30G peak acceleration (11 msec. duration)
- **EMC** : CE / FCC Class A

Touchscreen (optional)

Type : 8-Wire, analog resistive
Resolution : 1024 x 1024
Light transmission : 76% ± 2
Lifetime : 1 million activations
Controller : RS-232 interface



Desktop Stand (optional)
 STAND-025500

Dimension

AMB-232A

Unit:mm

