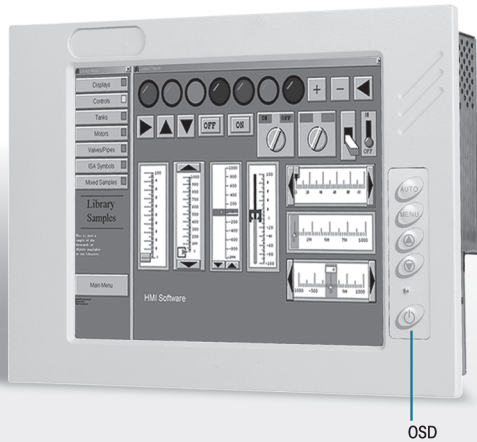


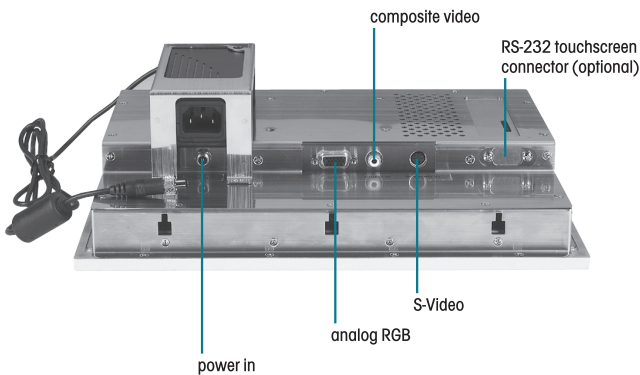
AMB-232A

The Power That Solves

10.4" TFT Industrial Display Monitor



OSD

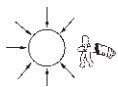


Rigorous IP65 Test

Completely, protected against dust



Protected against jets of water from all directions



Features

- 10.4" TFT SVGA LCD
- Stainless steel close-frame architecture with IP65 certified aluminum front panel
- RGB, Composite video, S-Video input signal selectable
- Picture-In-Picture function enable
- VESA 75mm standard screw holes

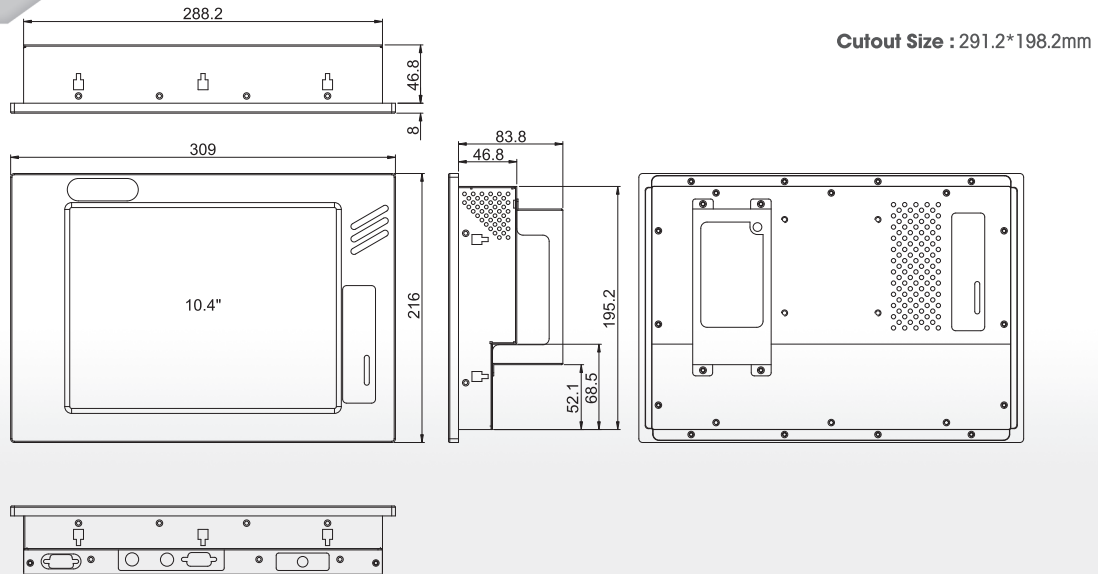


Specifications

System	
Input Signal	RGB, Composite video, S-Video
OSD Control	Brightness, Contrast, Phase, Sharpness, AutoTune, PIP, H/V-position
OS support	MS DOS, Windows 98SE, Windows 2000, Windows XP (Touchscreen model does not support Windows XP)
Mechanical	
Construction	Stainless steel chassis & aluminum alloy front panel
Front Panel Color	RAL 7035
Mounting	Panel Mount Optional : Wall mount kit, Swivel ARM, Desk stand
Dimension	12.2" (W) x 8.5" (H) x 2.2" (D) (309mm x 216mm x 54.8mm)
Carton Dimension	14.7" (W) x 14.1" (H) x 13" (D) (373mm x 359mm x 330mm)
Gross Weight	12.4lb (5.6Kg)
Environmental	
Operating Temperature	32 °F ~ 113 °F (0 °C ~ 45 °C)
Storage Temperature	-4 °F ~ 140 °F (-20 °C ~ 60 °C)
Operating Humidity	10 to 90%@35 °C, non-condensing
Vibration	1G / 5 ~ 500Hz (Random) / Operation
Shock	15G peak acceleration (11 msec. duration) / Operation
EMC	CE/FCC Class A
Power Supply	
External Power Adaptor 60W	Input : 100 to 240 ± 10%Vac, Full Range Output : +12Vdc@5A

Dimension

Unit : mm



LCD	
Display Type	10.4" color TFT LCD
Max. Resolution	800 x 600
Max. Colors	262K
Dot Size	0.264mm x 0.264mm
Luminance	230 cd/m ² (TYP)
Viewing Angle	120° (H) 100° (V)
Brightness Control	Yes
Back Light MTBF	20,000 hrs
Touchscreen (optional)	
Type	8-wire, analog resistive
Resolution	1024 x 1024
Light Transmission	76% ± 2
Lifetime	1 million activations
OS Support	MS DOS, Windows 98SE, Windows 2000

Ordering Information

- **AMB-232A-D**
10.4" SVGA TFT Display Monitor
- **AMB-232AT-D**
AMB-232A-D with resistive touchscreen

Accessory Options

- **ARM-LA0115**
Swivel arm with VESA 75/100mm standards
- **ARM-WK075-0**
Wall mount kit with VESA 75/100mm standards
- **STAND-158D00**
Desktop stand with VESA 75mm standards

1

Operator Panel

2

Panel PC

3

LCD PC

4

Embedded Control PC

5

Workstation

6

Display Monitor

7

IPC Solution

8

Full-Size CPU Card

9

Half-Size CPU Card

10

Accessory