

AMB-2023

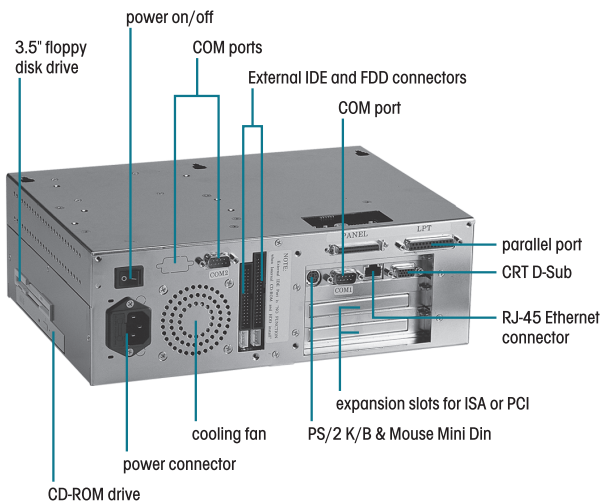
The Power That Solves

Intel® Pentium® III and Celeron® Processor based Industrial Panel PC with 12.1" TFT LCD & 2 expansion slots



Features

- 12.1" TFT SVGA (800 x 600) LCD
- Socket 370 based Intel® Pentium® III and Celeron® processors up to 850MHz
- System memory up to 256MB SDRAM
- Disk Drive bay for CD-ROM, FDD and HDD
- Two free expansion slots for ISA or PCI

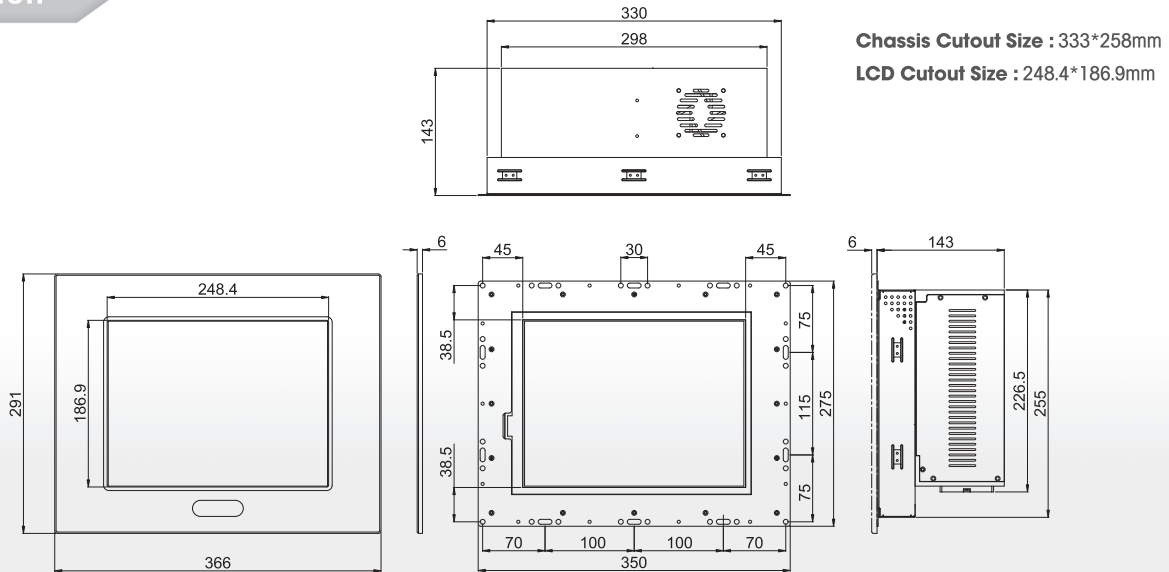


Specifications

System	
CPU	Socket 370 based Intel® Pentium® III and Celeron® processor up to 850MHz with FSB 66/100MHz
Memory	Supports up to 256MB SDRAM
LCD/CRT Controller	C&T 69000 controller with 2MB SDRAM. CRT & LCD panel support.
Ethernet	Intel® 82559ER, 10/100 Base-Tx RJ-45 connector x 1
I/O Port	2 serial ports : 1 x RS-232, 1 x RS-232/422/485 (COM 2 is reserved for touchscreen) 1 parallel port (supports ECP/EPP) 1 PS/2 mouse and keyboard port
Storage Disk Drive	3.5" HDD or 2.5" HDD, Slim FDD and Slim CD-ROM (2 types of housing both are not compatible)
USB Connector	Pin header for Dual USB with USB bracket cable
Expansion Slot	2 x PCI or 1 x ISA and 1 x PCI slot
Power Supply	Universal 70W switching power supply
OS Support	MS DOS, Windows 98SE, Windows 2000, Windows XP
Mechanical	
Construction	Heavy-duty steel chassis IP-65 certified aluminum front panel (optional)
Front Panel Color	RAL 7035
Mounting	Panel Mount, Rear Mount Optional : Rotatable mounting mechanism
Dimension	13.8" (W) x 10.8" (H) x 5.6" (D) (350mm x 275mm x 143mm) with bezel : 14.4" (W) x 11.5" (H) x 5.9" (D) (366mm x 291mm x 149mm)
Carton Dimension	18.8" (W) x 17" (H) x 14.9" (D) (479mm x 431mm x 378mm)
Gross Weight	28 lb (12.7 Kg) with bezel : 30 lb (13.6 Kg)

Dimension

Unit : mm



Environmental	
Operating Temperature	32 °F ~ 113 °F (0 °C ~ 45 °C)
Storage Temperature	-4 °F ~ 140 °F (-20 °C ~ 60 °C)
Operating Humidity	10 to 90% @ 35 °C, non-condensing
Vibration	Random Non-operation 2G, 5 ~ 500Hz
Shock	15G peak acceleration (11 msec. duration)
EMC	CE/FCC Class A
Safety	UL60950 (for AC power supply series only)
Power Supply	
AC Input 70W (standard offer)	Input : 85V _{AC} ~ 270V _{AC} @ 47 ~ 63Hz Output : +5V@10A, +12V@1.5A, -12V@0.3A
24V DC Input 72W	Input : 10V _{DC} ~ 30V _{DC} @ 13A max Output : +5V@10A, +12V@1.5A, -12V@0.3A
LCD	
Display Type	12.1" color TFT LCD
Max. Resolution	800 x 600
Max. Colors	256K
Dot Size	0.3075mm x 0.3075mm
Luminance	250 cd/m ² (TYP.)
Viewing Angle	120° (H) 90° (V)
Back Light MTBF	50,000 hrs
Touchscreen (optional)	
Type	8-wire, analog resistive
Resolution	2048 x 2048
Light Transmission	75%
Lifetime	1 million activations
OS Support	MS DOS, Windows 98SE, Windows 2000, Windows XP

Ordering Information

- **AMB-2023HT-E5**
Panel PC with 12.1" TFT, Socket 370 SBC, AC power supply
- **AMB-2023HT-E6**
Panel PC with 12.1" TFT, Socket 370 SBC, AC power supply, FDD, CD-ROM
- **AMB-2023HT-E7**
Panel PC with 12.1" TFT, Socket 370 SBC, 24V DC power supply
- **AMB-2023HT-E8**
Panel PC with 12.1" TFT, Socket 370 SBC, 24V DC power supply, FDD, CD-ROM
- **AMB-2023HTT-E5**
AMB-2023HT-E5 with resistive touchscreen
- **AMB-2023HTT-E6**
AMB-2023HT-E6 with resistive touchscreen
- **AMB-2023HTT-E7**
AMB-2023HT-E7 with resistive touchscreen
- **AMB-2023HTT-E8**
AMB-2023HT-E8 with resistive touchscreen

Accessory Options

- **M14PD2A002**
Aluminum front bezel for AMB-2020/2021/2023 series
- **ARM-MK12-0**
Rotatable mounting mechanism for AMB-2020/2021/2023 series

1
Operator Panel

2
Panel PC

3
LCD PC

4
Embedded Control PC

5
Workstation

6
Display Monitor

7
IPC Solution

8
Full-Size CPU Card

9
Half-Size CPU Card

10
Accessory