

AMB-2021 / AMB-2051 (Open Frame Series)



IP65 certified

- ▲ **AMB-2021**
Open Frame 12.1" Front Panel
+ ACS-2301 Control Box



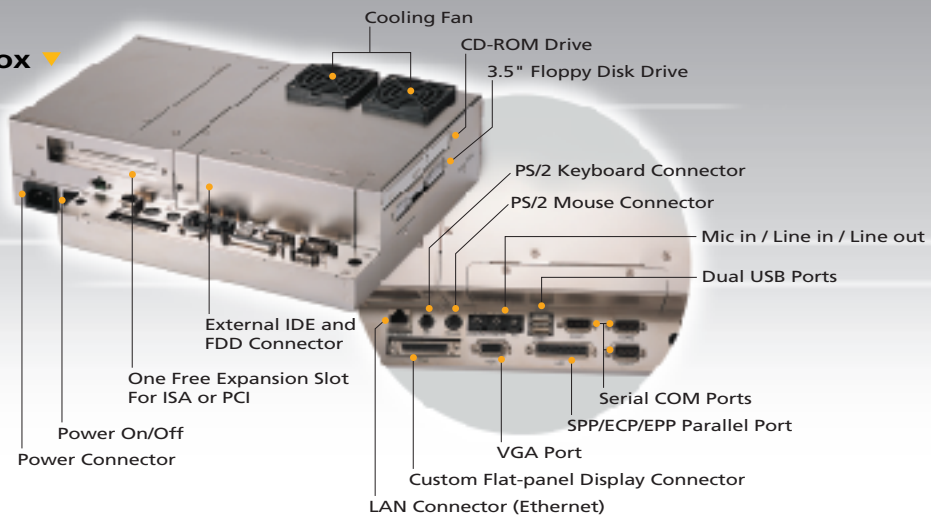
IP65 Certified

- ▲ **AMB-2051**
Open Frame 15" Front Panel
+ ACS-2301 Control Box



- ▲ **Optional Aluminum Frame**

ACS-2301 Control Box ▼



AMB-2021/2051 series

Features

AMB-2021 series

- 12.1" SVGA color TFT LCD display
- Heavy-duty steel chassis
- Front panel with frame is IP65 certified
- Supports Socket 370 CPU up to Pentium III 1.0GHz
- 16-bit stereo digital audio
- Disk Drive bay for CD-ROM, FDD and HDD
- Supports DiskOnChip and DiskOnMoudle
- One free expansion slot for ISA or PCI
- Adjustment-panel on the rear panel
- Aluminum front bezel (optional)
- Resistive touchscreen (optional)
- Rotatable mount mechanism (optional)

Specifications

AMB-2021 series

- **Construction** : Heavy-duty steel chassis
- **CPU** : Supports Socket 370 based Intel® Pentium® III and Celeron® CPU, up to Pentium® III 1.0GHz (FSB 66/100MHz)
- **Memory** : Supports up to 256MB
- **Display** : 12.1" SVGA (800 x 600) color TFT LCD
- **LCD/CRT controller** :
C&T 69000 on board VGA controller with 2MB SDRAM.
CRT & LCD panel support.
- **Network (LAN)** : Realtek RTL8139B 10/100 Base-T Ethernet controller
- **I/O ports** :
4 serial ports: 3 x RS-232, 1 x RS-232/422/485
(One is reserved for touchscreen)
1 parallel port (supports ECP/EPP)
1 PS/2 keyboard interface
1 PS/2 mouse interface
- **Disk Drive Housing** :
3.5" HDD & Slim CD-ROM or
2.5" HDD, Slim CD-ROM and Slim FDD
(2 types of housing which are not compatible)
- **USB connector** : Dual USB ports
- **Mounting** : Panel, Handle and Rear mount
- **Expansion slots** : 1 ISA or 1 PCI slot
- **Power supply** : Universal 70W switching power supply
- **OS support** : MS DOS, Windows 98/SE, Windows NT4.0, Windows 2000, Windows XP
- **Dimension (W x H x D)** :
350 x 275 x 128mm (13.8" x 10.8" x 5")
- **Carton Dimension (W x H x D)** :
479 x 384 x 254mm (18.8" x 15.1" x 10")
- **Gross Weight** : 12Kg (26.5 lbs)

Features

AMB-2051 series

- 15" XGA color TFT LCD display
- Heavy-duty steel chassis
- Front panel with frame is IP65 certified
- Supports Socket 370 CPU up to Pentium III 1.0GHz
- 16-bit stereo digital audio
- Disk Drive bay for CD-ROM, FDD and HDD
- Supports DiskOnChip and DiskOnMoudle
- One free expansion slot for ISA or PCI
- Adjustment-panel on the rear panel
- Aluminum front bezel (optional)
- Resistive touchscreen (optional)

Specifications

AMB-2051 series

- **Construction** : Heavy-duty steel chassis
- **CPU** : Supports Socket 370 based Intel® Pentium® III and Celeron® CPU, up to Pentium® III 1.0GHz (FSB 66/100MHz)
- **Memory** : Supports up to 256MB
- **Display** : 15" XGA (1024 x 768) color TFT LCD
- **LCD/CRT controller** :
C&T 69000 on board VGA controller with 2MB SDRAM.
CRT & LCD panel support.
- **Network (LAN)** : Realtek RTL 8139B 10/100 Base-T Ethernet controller
- **I/O ports** :
4 serial ports : 3 x RS-232, 1 x RS-232/422/485
(One is reserved for touchscreen)
1 parallel port (supports ECP/EPP)
1 PS/2 keyboard interface
1 PS/2 mouse interface
- **Disk Drive Housing** :
3.5" HDD & Slim CD-ROM or
2.5" HDD, Slim CD-ROM and Slim FDD
(2 types of housing which are not compatible)
- **USB connector** : Dual USB ports
- **Mounting** : Panel and Rear mount
- **Expansion slots** : 1 ISA or 1 PCI slot
- **Power supply** : Universal 70W switching power supply
- **OS support** : MS DOS, Windows 98/SE, Windows NT4.0, Windows 2000
- **Dimension (W x H x D)** :
428 x 320 x 129mm (16.9" x 12.6" x 5.1")
- **Carton Dimension (W x H x D)** :
531 x 397 x 275mm (20.9" x 15.6" x 10.8")
- **Gross Weight** : 12.5Kg (27.5 lbs)

Environmental Specifications

- **Operating temperature** : 0° to 45°C (32 ~ 113°F)
- **Operating humidity** : 5 to 90%, non-condensing
- **Vibration** : Random Non-operation 2G 5 ~ 500Hz
- **Shock** : 15G peak acceleration (11 msec. duration)
- **EMC** : CE / FCC Class A

Touchscreen (optional)

- Type** : 8-wire, analog resistive
- Resolution** : 1024 x 1024
- Light transmission** : 75%
- Lifetime** : 1 million activations
- Controller** : RS-232 interface

Power supply

- **Input Voltage** : 85 ~ 270V AC

24V DC Input 70W (optional)

- **Input Voltage** : 10 ~ 30V DC

LCD Specifications

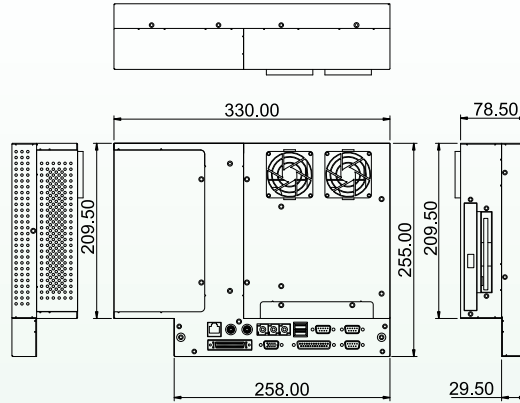
Model	AMB-2021	AMB-2051
Display type	12.1" color TFT LCD	15" color TFT LCD
Max. resolution	800 x 600	1024 x 768
Max. colors	256K	256K
Dot size (mm)	0.3075 x 0.3075	0.313 x 0.329
Luminance (cd/m²)	250 (TYP)	250 (TYP)
Viewing angle	120° (H)	160° (H)
	90° (V)	160° (V)
Operating temperature	0° ~ 45°C (32 ~ 113°F)	0° ~ 45°C (32 ~ 113°F)
Brightness control	Yes	Yes
Back Light MTBF(Hrs)	50,000	50,000

AMB-2021/2051 series

Dimension

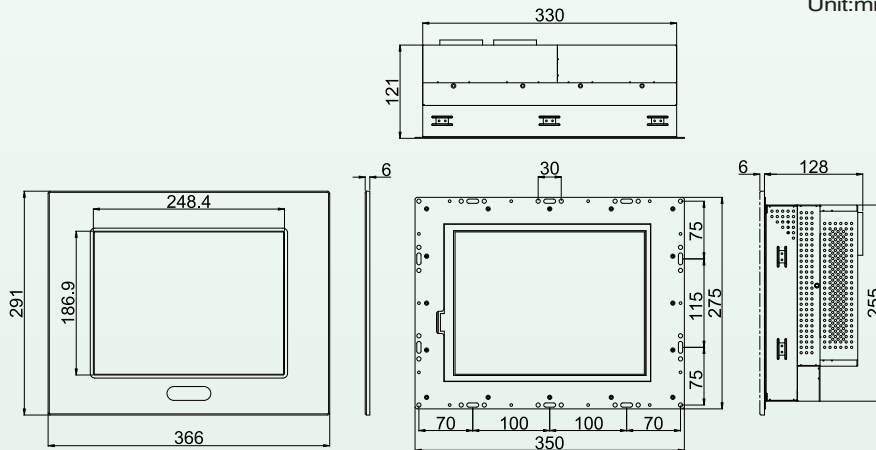
ACS-2301

Unit:mm



AMB-2021

Unit:mm

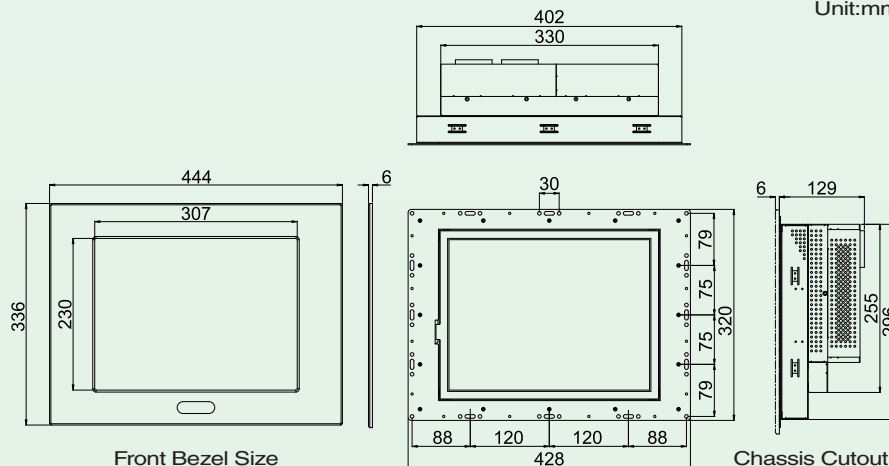


Front Bezel Size

Chassis Cutout Size : 333*258mm
LCD Cutout Size : 248.4*186.9mm

AMB-2051

Unit:mm



Front Bezel Size

Chassis Cutout Size : 405*299mm
LCD Cutout Size : 307*230mm