

Modular System Industrial Panel PCs

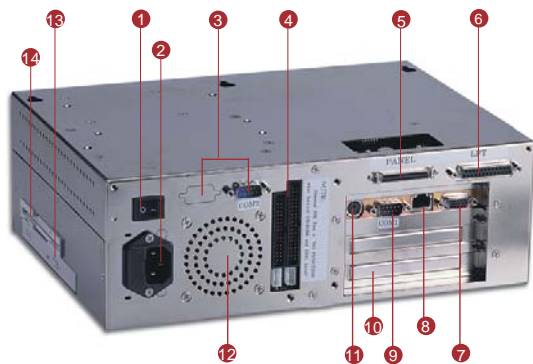
AMB-2003HT/AMB-2023HT/AMB-2053HT



▲ AMB-2003HT
10.4" LCD + ACS-2303
Control Box



▲ AMB-2023HT
12.1" LCD + ACS-2303
Control Box



▲ ACS-2303

1. Power On/Off	8. 10/100 Base-T Ethernet Connector
2. Power Outlet	9. RS-232 COM ports
3. RS-232 COM ports	10. 2 Free Expansion Slots for ISA or PCI
4. External IDE and FDD Connectors	11. Mouse and Keyboard Connector
5. Custom Flat-Panel Display Connector	12. Cooling Fan
6. EPP/ECP parallel port	13. CD-ROM Driver
7. VGA port	14. 3.5" 1.44 MB Floppy disk driver



▲ AMB-2053HT
15" LCD + ACS-2303
Control Box

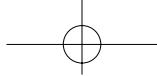
USB Bracket Cable



▲ Y Cable for PS/2
Mouse & Keyboard



▲ ARM-MK10-0 (Handle mount)
Rotatable mounting mechanism for
AMB-2003 series, Black color.



AMB-2003HT/2023HT/2053HT

Features for AMB-2003HT series

(10.4" LCD + ACS-2303 Control Box)

- 10.4" VGA color TFT LCD display
- Plastic front panel and heavy-duty steel chassis
- Water-proof front panel with NEMA 4/12 & IP65
- All-in-one FC-PGA Socket 370 SBC (Up to Pentium III 850MHz)
- Two 16C550 RS-232C ports
- Disk drive space for CD-ROM, FDD and HDD
- DiskOnChip flash disk socket
- Two free expansion slots for ISA or PCI
- Resistive touchscreen (optional)
- Rotatable mounting mechanism (optional)

Specifications for AMB-2003HT series

(10.4" LCD + ACS-2303 Control Box)

- **Construction:** Heavy-duty steel chassis & NEMA 4/12 plastic front panel.
- **CPU:** Supports Socket 370 based Intel Pentium III and Celeron CPU, up to PIII 850MHz (FSB 66/100 MHz)
- **Memory:** Supports up to 256MB
- **Display:**
10.4" VGA (640 x 480) color TFT LCD
- **LCD/CRT controller:**
C&T 69000 VGA controller with 2MB SDRAM. CRT & LCD panel support.
- **Network (LAN):**
Intel 82559ER 10/100 Base-T Ethernet controller
- **I/O ports:**
2 serial ports: 2 x RS-232
1 parallel port (supports ECP/EPP)
1 PS/2 keyboard port
1 PS/2 mouse interface
- **Disk Drive Housing:**
3.5" HDD or
2.5" HDD , Slim FDD, and Slim CD-ROM
(2 types of housing both are not compatible)
- **USB connector:** Pin header for Dual USB with USB bracket cable
- **Front panel color:** RAL-7035
- **Mounting:** Panel mount, Handle mount, or Wall mount (ACS-2303 control box only, optional)
- **Expansion slots:** 2 PCI or 1 ISA and 1 PCI slot
- **Power supply:**
Universal 70W switching power supply
- **Dimension (W x H x D):**
330 x 252 x 128mm (13" x 9.9" x 5")
- **Carton Dimension (W x H x D):**
419 x 384 x 264mm(16.4" x 15.1" x 10.3")
- **Gross Weight:** 9.6 Kg (21.2 lbs)

Features for AMB-2023HT series

(12.1" LCD + ACS-2303 Control Box)

- 12.1" SVGA color TFT LCD display
- Plastic front panel and heavy-duty steel chassis
- Water-proof front panel with NEMA 4/12 & IP65
- All-in-one FC-PGA Socket 370 SBC (Up to Pentium III 850MHz)
- Two 16C550 RS-232C ports
- Disk drive space for CD-ROM, FDD and HDD
- DiskOnChip flash disk socket
- Two free expansion slots for ISA or PCI
- Resistive touchscreen (optional)
- Rotatable mounting mechanism (optional)

Specifications for AMB-2023HT series

(12.1" LCD + ACS-2303 Control Box)

- **Construction:** Heavy-duty steel chassis & NEMA 4/12 plastic front panel.
- **CPU:** Supports Socket 370 based Intel Pentium III and Celeron CPU, up to PIII 850MHz (FSB 66/100 MHz)
- **Memory:** Supports up to 256MB
- **Display:**
12.1" SVGA (800 x 600) color TFT LCD
- **LCD/CRT controller:**
C&T 69000 VGA controller with 2MB SDRAM. CRT & LCD panel support.
- **Network (LAN):**
Intel 82559ER 10/100 Base-T Ethernet controller
- **I/O ports:**
2 serial ports: 2 x RS-232
1 parallel port (supports ECP/EPP)
1 PS/2 keyboard port
1 PS/2 mouse interface
- **Disk Drive Housing:**
3.5" HDD or
2.5" HDD , Slim FDD, and Slim CD-ROM
(2 types of housing both are not compatible)
- **USB connector:** Pin header for Dual USB with USB bracket cable
- **Front panel color:** PMS cool gray 4C
- **Mounting:** Panel mount, Handle mount or Wall mount (ACS-2303 control box only, optional)
- **Expansion slots:** 2 PCI or 1 ISA and 1 PCI slot
- **Power supply:**
Universal 70W switching power supply
- **Dimension (W x H x D):**
346 x 271 x 126mm(13.6" x 10.7" x 5")
- **Carton Dimension (W x H x D):**
479 x 384 x 254mm (18.8" x 15.1" x 10")
- **Gross Weight:** 10 Kg (22.1 lbs)

Features for AMB-2053HT series (15" LCD + ACS-2303 Control Box)

- 15" XGA color TFT LCD display
- Aluminum front panel and heavy-duty steel chassis
- Water-proof front panel with NEMA 4/12 & IP65
- All-in-one FC-PGA Socket 370 SBC (Up to Pentium III 850MHz)
- Two 16C550 RS-232C ports
- Disk drive space for CD-ROM, FDD and HDD
- DiskOnChip flash disk socket
- Two free expansion slots for ISA or PCI
- Resistive touchscreen (optional)

Specifications for AMB-2053HT series (15" LCD + ACS-2303 Control Box)

- **Construction:** Heavy-duty steel chassis & NEMA 4/12 aluminum front panel.
- **CPU:** Supports Socket 370 based Intel Pentium III and Celeron CPU, up to PIII 850MHz (FSB 66/100 MHz)
- **Memory:** Supports up to 256MB
- **Display:**
15" XGA (1024 x 768) color TFT LCD
- **LCD/CRT controller:**
C&T 69000 VGA controller with 2MB SDRAM. CRT & LCD panel support.
- **Network (LAN):**
Intel 82559ER 10/100 Base-T Ethernet controller
- **I/O ports:**
2 serial ports: 2 x RS-232
1 parallel port (supports ECP/EPP)
1 PS/2 keyboard port
1 PS/2 mouse interface
- **Disk Drive Housing:**
3.5" HDD or
2.5" HDD , Slim FDD, and Slim CD-ROM
(2 types of housing both are not compatible)
- **USB connector:** Pin header for Dual USB with USB bracket cable
- **Front panel color:** RAL-7035 (white)
- **Mounting:** Panel mount or Wall mount (ACS-2303

control box only, optional)

- **Expansion slots:** 2 PCI or 1 ISA and 1 PCI slot
- **Power supply:**
Universal 70W switching power supply
- **Dimension (W x H x D):**
420 x 300 x 139.2mm (16.5" x 11.8" x 5.5")
- **Carton Dimension (W x H x D):**
531 x 397 x 275mm (20.9" x 15.6" x 10.8")
- **Gross Weight:** 13.6 Kg (30 lbs)

Power Supply

- **Input Voltage:** 85 ~ 264V AC
- **Output Voltage:**
+5V@10A, +12V@1.5A, -12V@0.3A
- **MTBF>** 200,000 Hrs per MIL — Handbook 217F
- **Safety:** UL, CUL, TUV approved
- **EMI:** FCC Class B, CISPR22B

Environmental Specifications

- **Operating temperature:** 0° to 45°C (32~113°F)
- **Storage temperature:** -20° to 60°C (-4~140°F)
- **Storage humidity:**
10 to 95%@40°C, non-condensing
- **Vibration:**
1G / 5 ~ 500Hz / operation
- **Shock:** 10G peak acceleration (11 msec. duration)
- **EMI:** CE/FCC Class A

Touchscreen (optional)

Type: 4-wire, analog resistive

Resolution: 1024 x 1024

Light transmission:

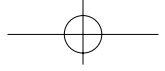
>68%(AMB-2003/2053), >75%(AMB-2023)

Lifetime: 1 million activations

Operating pressure: 90g average for finger, 70g average with non-metal stylus (AMB-2003/2053), 50g average for finger, 25g average with non-metal stylus (AMB-2023)

Controller: RS-232 interface

OS support: MS DOS, Windows 95, Windows 98, Windows ME, Windows NT, Windows 2000



AMB-2003HT/2023HT/2053HT

Ordering Information

- **AMB-2003HT**
Modular system Panel PC, ACS-2303 with 10.4" color TFT LCD display
- **AMB-2003HTT**
AMB-2003HT + touchscreen (RS-232 interface)
- **AMB-2023HT**
Modular system Panel PC, ACS-2303 with 12.1" color TFT LCD display
- **AMB-2023HTT**
AMB-2023HT + touchscreen (RS-232 interface)
- **AMB-2053HT**
Modular system Panel PC, ACS-2303 with 15" color TFT LCD display
- **AMB-2053HTT**
AMB-2053HT + touchscreen (RS-232 interface)
- **ACS-2303**
FC-PGA Socket 370 SBC, 70W AC power supply

- **Optional**
 - CPU
 - HDD
 - RAM
 - Slim CD-ROM
 - Slim FDD
 - 70W DC10~30V power supply
 - AKB-106 (refer to p.80)
20 function-key membrane keyboard
 - AKB-107 (refer to p.80)
56 data-entry membrane keyboard
 - M012303080
ACS-2303 wall mount kit
 - ARM-MK10-0 (refer to p.81)
Rotatable mounting mechanism for AMB-2003 series, Black color.
 - ARM-MK12-0 (refer to p.81)
Rotatable mounting mechanism for AMB-2023 series.

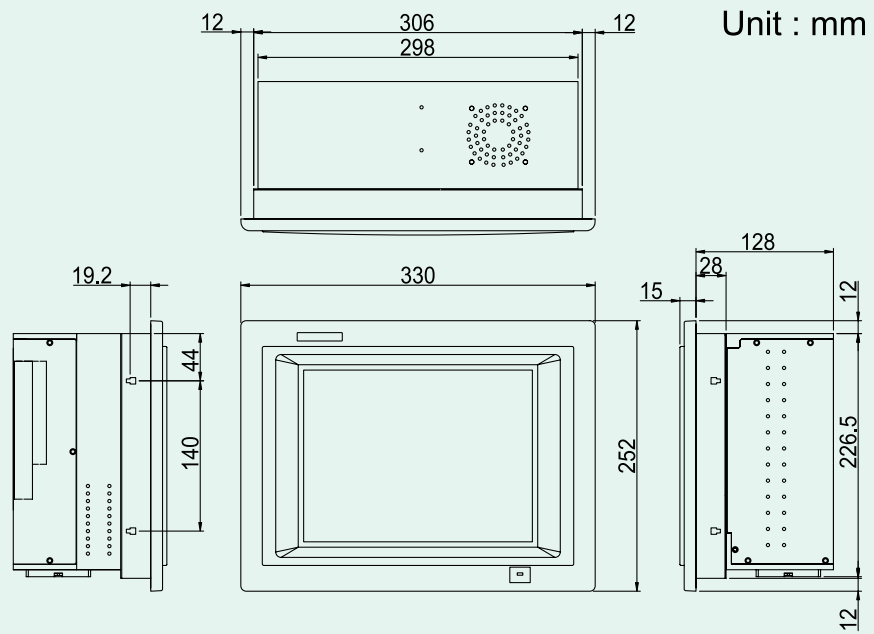
LCD Specification

Model	AMB-2003HT	AMB -2023HT	AMB -2053HT
Display type	10.4" color TFT LCD	12.1" color TFT LCD	15" color TFT LCD
Max. Resolution	640 x 480	800 x 600	1024 x 768
Max. Colors	256K	256K	256K
Dot size (mm)	0.33 x 0.33	0.3075 x 0.3075	0.313 x 0.329
Luminance (cd/m ²)	250	250	250
Viewing angle	80° (H)	120° (H)	160° (H)
	45° (V)	90° (V)	160° (V)
Temperature	0° ~ 50°C (32~122°F)	0° ~ 50 °C (32~122 °F)	0° ~ 50 °C (32~122 °F)
Brightness Control	Yes	Yes	Yes
LCD MTBF (Hrs)	50,000	50,000	50,000
Back Light MTBF (Hrs)	30,000	25,000	50,000

Control Box Wall Mount

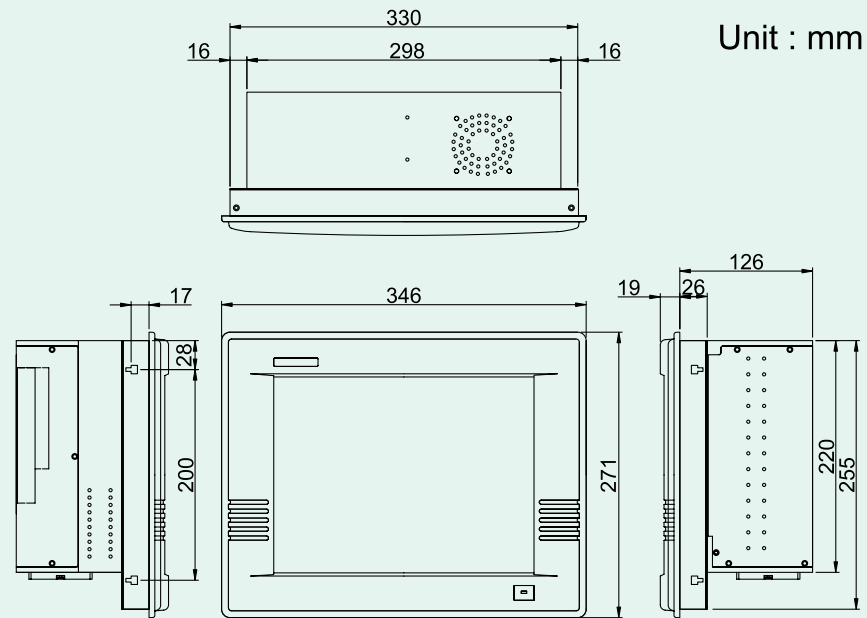


Dimension



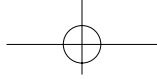
AMB-2003HT

Cutout size :
309 x 231 mm



AMB-2023HT

Cutout size :
333 x 258 mm



AMB-2003HT/2023HT/2053HT

