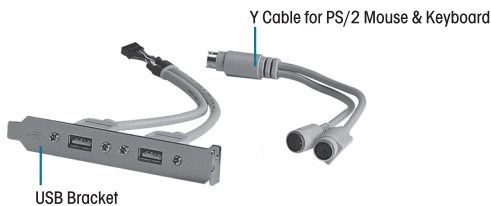
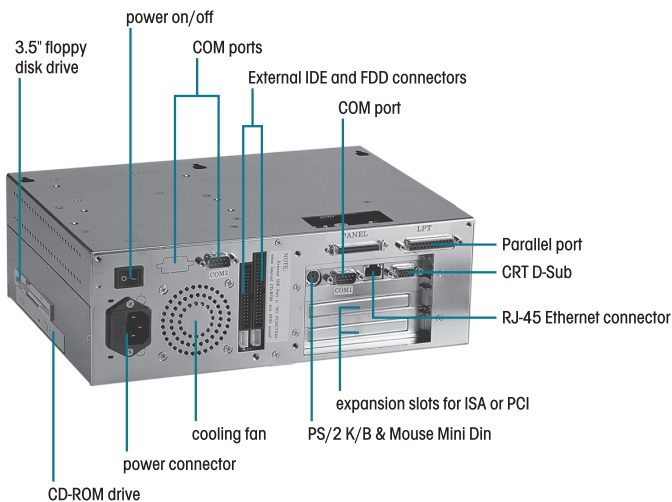


AMB-2003

The Power That Solves

Intel® Pentium® III and Celeron® Processor based Industrial Panel PC with 10.4" TFT LCD & 2 expansion slots



Features

- 10.4" TFT VGA (640 x 480) LCD
- Socket 370 based Intel® Pentium® III and Celeron® processors up to 850MHz
- System memory up to 256MB SDRAM
- Disk Drive bay for CD-ROM, FDD and HDD
- Two free expansion slots for ISA or PCI

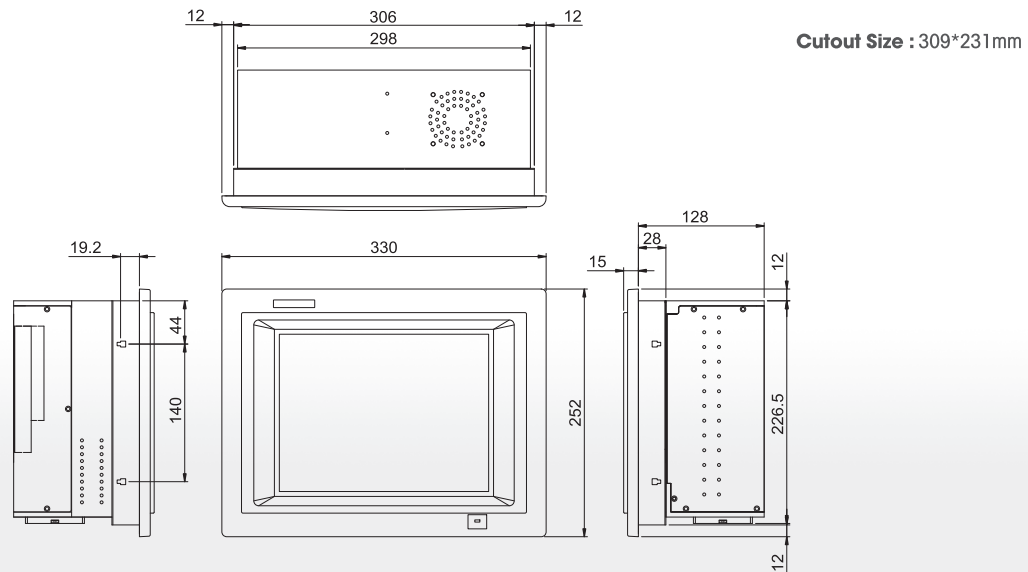


Specifications

System	
CPU	Socket 370 based Intel® Pentium® III and Celeron® processor up to 850MHz with FSB 66/100MHz
Memory	Supports up to 256MB SDRAM
LCD/CRT Controller	C&T 69000 controller with 2MB SDRAM CRT & LCD panel support
Ethernet	Intel 82559ER, 10/100 Base-Tx RJ-45 connector x 1
I/O Port	2 serial ports : 1 x RS-232, 1 x RS-232/422/485 (COM 2 is reserved for touchscreen) 1 parallel port (supports ECP/EPP) 1 PS/2 mouse and keyboard port
Storage Disk Drive	3.5" HDD or 2.5" HDD, Slim FDD and Slim CD-ROM (2 types of housing both are not compatible)
USB Connector	Pin header for Dual USB with USB bracket cable
Expansion Slot	2 x PCI or 1 x ISA and 1 x PCI slot
Power Supply	Universal 70W switching power supply
OS Support	MS DOS, Windows 98SE, Windows 2000, Windows XP* (Touchscreen model does not support Windows XP.)
Mechanical	
Construction	Heavy-duty steel chassis & plastic front panel
Front Panel Color	PMC cool gray 4C
Mounting	Panel Mount Optional : Rotatable mounting mechanism
Dimension	13" (W) x 9.9" (H) x 5.6" (D) (330mm x 252mm x 143mm)
Carton Dimension	18.6" (W) x 16.3" (H) x 14.2" (D) (471mm x 413mm x 360mm)
Gross Weight	24.3 lb (11Kg)

Dimension

Unit : mm



Environmental	
Operating Temperature	32 °F ~ 113 °F (0 °C ~ 45 °C)
Storage Temperature	-4 °F ~ 140 °F (-20 °C ~ 60 °C)
Operating Humidity	10 to 90% @ 35 °C, non-condensing
Vibration	Random Non-operation 2G, 5 ~ 500Hz
Shock	15G peak acceleration (11 msec. duration)
EMC	CE/FCC Class A
Power Supply	
AC Input 70W (standard offer)	Input : 85Vac ~ 270Vac @ 47 ~ 63Hz Output : +5V@10A, +12V@1.5A, -12V@0.3A
24V DC Input 72W	Input : 10Vdc ~ 30Vdc @ 13A max Output : +5V@10A, +12V@1.5A, -12V@0.3A
LCD	
Display Type	10.4" color TFT LCD
Max. Resolution	640 x 480
Max. Colors	256K
Dot Size	0.33mm x 0.33mm
Luminance	250 cd/m ² (TYP.)
Viewing Angle	80° (H) 45° (V)
Back Light MTBF	30,000 hrs
Touchscreen (optional)	
Type	8-wire, analog resistive
Resolution	1024 x 1024
Light Transmission	76% ± 2
Lifetime	1 million activations
OS Support	MS DOS, Windows 98SE, Windows 2000

Ordering Information

- **AMB-2003HT-D1**
Panel PC with 10.4" TFT, Socket 370 SBC, AC power supply
- **AMB-2003HT-D2**
Panel PC with 10.4" TFT, Socket 370 SBC, AC power supply, FDD, CD-ROM
- **AMB-2003HT-D3**
Panel PC with 10.4" TFT, Socket 370 SBC, 24V DC power supply
- **AMB-2003HT-D4**
Panel PC with 10.4" TFT, Socket 370 SBC, 24V DC power supply, FDD, CD-ROM
- **AMB-2003HTT-D1**
AMB-2003HT-D1 with resistive touchscreen
- **AMB-2003HTT-D2**
AMB-2003HT-D2 with resistive touchscreen
- **AMB-2003HTT-D3**
AMB-2003HT-D3 with resistive touchscreen
- **AMB-2003HTT-D4**
AMB-2003HT-D4 with resistive touchscreen

Accessory Option

- **ARM-MK10-0**
Rotatable mounting mechanism for AMB-2003 & AMB-2000 series

1

Operator Panel

2

Panel PC

3

LCD PC

4

Embedded Control PC

5

Workstation

6

Display Monitor

7

IPC Solution

8

Full-Size CPU Card

9

Half-Size CPU Card

10

Accessory