

AMB-2023 / AMB-2053 (Open Frame Series)



IP65 certified



▲ **AMB-2023**
Open Frame 12.1" Front Panel
+ ACS-2303 Control Box

▲ **AMB-2053**
Open Frame 15" Front Panel
+ ACS-2303 Control Box

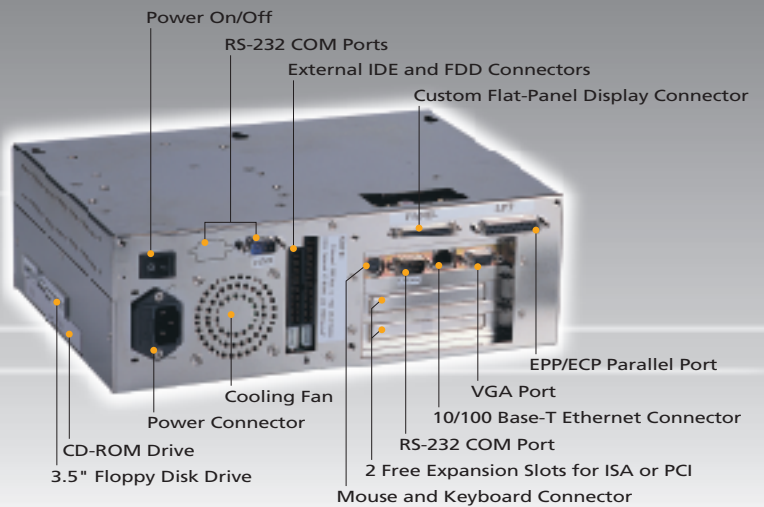


▲ **Optional Aluminum Frame**

AMB-2003 (Close Frame Series)



▲ **AMB-2003**
10.4" LCD + ACS-2303 Control Box



▲ **ACS-2303 Control Box**

▲ **USB Bracket Cable**



▲ **Y Cable for PS/2 Mouse & Keyboard**

AMB-2003/2023/2053 series

Features

AMB-2003 series

- 10.4" VGA color TFT LCD display
- Plastic front panel and heavy-duty steel chassis
- Supports Socket 370 CPU up to Pentium® III 850MHz
- Disk Drive bay for CD-ROM, FDD and HDD
- Supports DiskOnChip and DiskOnModule
- Two free expansion slots for ISA or PCI
- Resistive touchscreen (optional)
- Rotatable mounting mechanism (optional)

Specifications

AMB-2003 series

- **Construction** : Heavy-duty steel chassis & plastic front panel
- **CPU** : Supports Socket 370 based Intel® Pentium® III and Celeron® CPU, up to Pentium® III 850MHz (FSB 66/100MHz)
- **Memory** : Supports up to 256MB
- **Display** : 10.4" VGA (640 x 480) color TFT LCD
- **LCD/CRT controller** : C&T 69000 VGA controller with 2MB SDRAM. CRT & LCD panel support.
- **Network (LAN)** : Intel 82559ER 10/100 Base-T Ethernet controller
- **I/O ports** :
2 serial ports : 1 x RS-232, 1 x RS-232/422/485
(One is reserved for touchscreen)
1 parallel port (supports ECP/EPP)
1 PS/2 mouse and keyboard port
- **Disk Drive Housing** :
3.5" HDD or
2.5" HDD , Slim FDD, and Slim CD-ROM
(2 types of housing both are not compatible)
- **USB connector** :
Pin header for Dual USB with USB bracket cable
- **Front panel color** : RAL-7035
- **Mounting** : Panel and Handle mount
- **Expansion slots** :
2 PCI or
1 ISA and 1 PCI slot
- **Power supply** :
Universal 70W switching power supply
- **OS support** : MS DOS, Windows 98/SE, Windows NT4.0, Windows 2000
- **Dimension (W x H x D)** :
330 x 252 x 128mm (13" x 9.9" x 5")
- **Carton Dimension (W x H x D)** :
419 x 384 x 264mm (16.4" x 15.1" x 10.3")
- **Gross Weight** : 9.6 Kg (21.2 lbs)

Features

AMB-2023 series

- 12.1" SVGA color TFT LCD display
- Heavy-duty steel chassis
- Front panel with frame is IP65 certified
- Supports Socket 370 CPU up to Pentium® III 850MHz
- Disk Drive bay for CD-ROM, FDD and HDD
- Supports DiskOnChip and DiskOnModule
- Two free expansion slots for ISA or PCI
- Adjustment-panel on the rear panel
- Aluminum front bezel (optional)
- Resistive touchscreen (optional)
- Rotatable mounting mechanism (optional)

Specifications

AMB-2023 series

- **Construction** : Heavy-duty steel chassis
- **CPU** : Supports Socket 370 based Intel® Pentium® III and Celeron® CPU, up to Pentium® III 850MHz (FSB 66/100 MHz)
- **Memory** : Supports up to 256MB
- **Display** : 12.1" SVGA (800 x 600) color TFT LCD
- **LCD/CRT controller** : C&T 69000 VGA controller with 2MB SDRAM. CRT & LCD panel support.
- **Network (LAN)** : Intel 82559ER 10/100 Base-T Ethernet controller
- **I/O ports** :
2 serial ports : 1 x RS-232, 1 x RS-232/422/485
(One is reserved for touchscreen)
1 parallel port (supports ECP/EPP)
1 PS/2 mouse and keyboard port
- **Disk Drive Housing** :
3.5" HDD or
2.5" HDD & Slim FDD and Slim CD-ROM
(2 types of housing both are not compatible)
- **USB connector** :
Pin header for Dual USB with USB bracket cable
- **Mounting** : Panel, Rear and Handle mount
- **Expansion slots** :
2 PCI or
1 ISA and 1 PCI slot
- **Power supply** :
Universal 70W switching power supply
- **OS support** : MS DOS, Windows 98/SE, Windows NT4.0, Windows 2000, Windows XP
- **Dimension (W x H x D)** :
350 x 275 x 143mm (13.7" x 10.8" x 5.6")
- **Carton Dimension (W x H x D)** :
460 x 415 x 346mm (18.1" x 16.3" x 13.6")
- **Gross Weight** : 10 Kg (22.1 lbs)

Features

AMB-2053 series

- 15" XGA color TFT LCD display
- Heavy-duty steel chassis
- Front panel with frame is IP65 certified
- Supports Socket 370 CPU up to Pentium® III 850MHz
- Disk Drive bay for CD-ROM, FDD and HDD
- Supports DiskOnChip and DiskOnModule
- Two free expansion slots for ISA or PCI
- Adjustment-panel on the rear panel
- Aluminum front bezel (optional)
- Resistive touchscreen (optional)

Specifications

AMB-2053 series

- **Construction** : Heavy-duty steel chassis
- **CPU** : Supports Socket 370 based Intel® Pentium® III and Celeron® CPU, up to Pentium® III 850MHz (FSB 66/100 MHz)
- **Memory** : Supports up to 256MB
- **Display** : 15" XGA (1024 x 768) color TFT LCD
- **LCD/CRT controller** : C&T 69000 VGA controller with 2MB SDRAM. CRT & LCD panel support.
- **Network (LAN)** : Intel 82559ER 10/100 Base-T Ethernet controller
- **I/O ports** : 2 serial ports : 1 x RS-232, 1 x RS-232/422/485 (One is reserved for touchscreen)
1 parallel port (supports ECP/EPP)
1 PS/2 mouse and keyboard port
- **Disk Drive Housing** : 3.5" HDD or 2.5" HDD , Slim FDD, and Slim CD-ROM (2 types of housing both are not compatible)
- **USB connector** : Pin header for Dual USB with USB bracket cable
- **Mounting** : Panel and Rear mount
- **Expansion slots** : 2 PCI or 1 ISA and 1 PCI slot
- **Power supply** : Universal 70W switching power supply
- **OS support** : MS DOS, Windows 98/SE, Windows NT4.0, Windows 2000
- **Dimension (W x H x D)** : 428 x 320 x 144mm (16.8" x 12.5" x 5.6")
- **Carton Dimension (W x H x D)** : 625 x 465 x 356mm (24.6" x 18.3" x 14")
- **Gross Weight** : 15.58 Kg (34.3 lbs)

Environmental Specifications

- **Operating temperature** : 0° to 45°C (32 ~ 113°F)
- **Operating humidity** : 5 to 90%, non-condensing
- **Vibration** : Random Non-operation 2G 5 ~ 500Hz
- **Shock** : 15G peak acceleration (11 msec. duration)
- **EMC** : CE / FCC Class A
- **Safety** : UL (For AMB-2023/2053 series only)

Power supply

- **Input Voltage** : 85 ~ 270V AC
- 24V DC Input 70W (optional)**
- **Input Voltage** : 10 ~ 30V DC

Touchscreen (optional)

- Type** : 8-wire, analog resistive
- Resolution** : 1024 x 1024
- Light transmission** : 76% ± 2 (AMB-2003), 75% (AMB-2023/2053)
- Lifetime** : 1 million activations
- Controller** : RS-232 interface

AMB-2003/2023/2053 series

LCD Specifications

Model	AMB-2003	AMB-2023	AMB-2053
Display type	10.4" color TFT LCD	12.1" color TFT LCD	15" color TFT LCD
Max. resolution	640 x 480	800 x 600	1024 x 768
Max. colors	256K	256K	256K
Dot size (mm)	0.33 x 0.33	0.3075 x 0.3075	0.297 x 0.297
Luminance (cd/m ²)	250 (TYP)	250 (TYP)	250 (TYP)
Viewing angle	80° (H)	120° (H)	160° (H)
	45° (V)	90° (V)	160° (V)
Operating temperature	0° ~ 45°C (32 ~ 113°F)	0° ~ 45°C (32 ~ 113°F)	0° ~ 45°C (32 ~ 113°F)
Brightness control	Yes	Yes	Yes
Back Light MTBF (Hrs)	30,000	50,000	50,000

Optional Accessories



◀ **AS-25**
3.5" Rugged Anti-vibration Drive Chassis

**AS-25 support 2.5" HDD.*



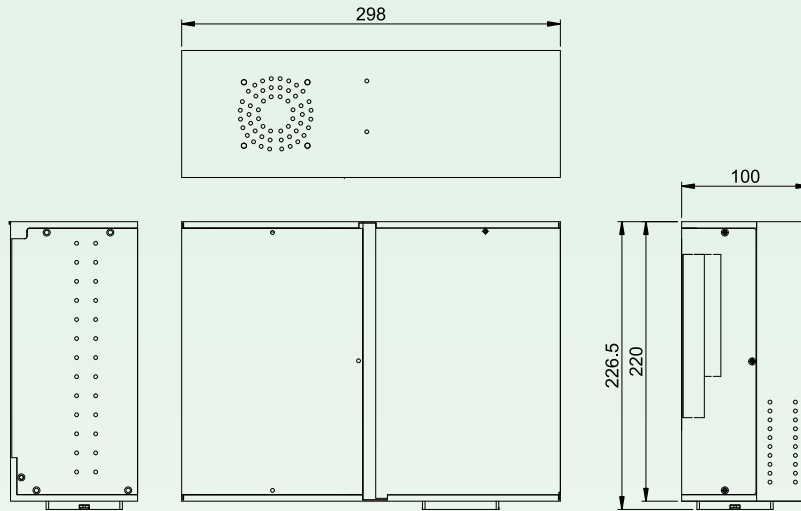
◀ **ARM-MK12-0**
Rotatable Mounting Kit

**Only for AMB-2023 series.*

Dimension

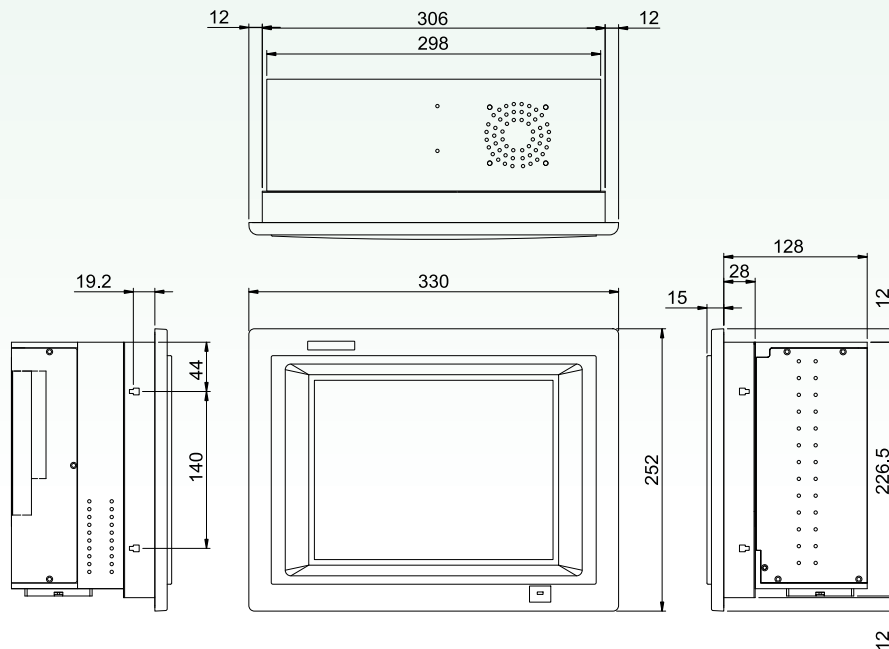
ACS-2303

Unit:mm



AMB-2003

Unit:mm

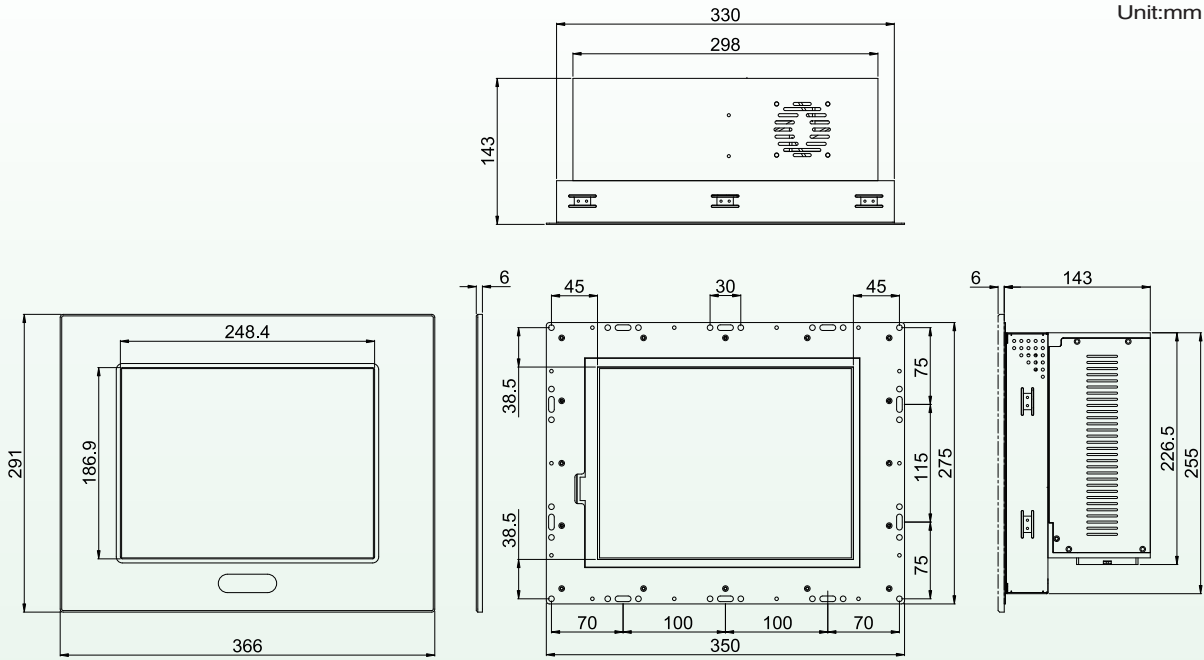


Cutout Size : 309*231mm

AMB-2003/2023/2053 series

AMB-2023

Unit:mm

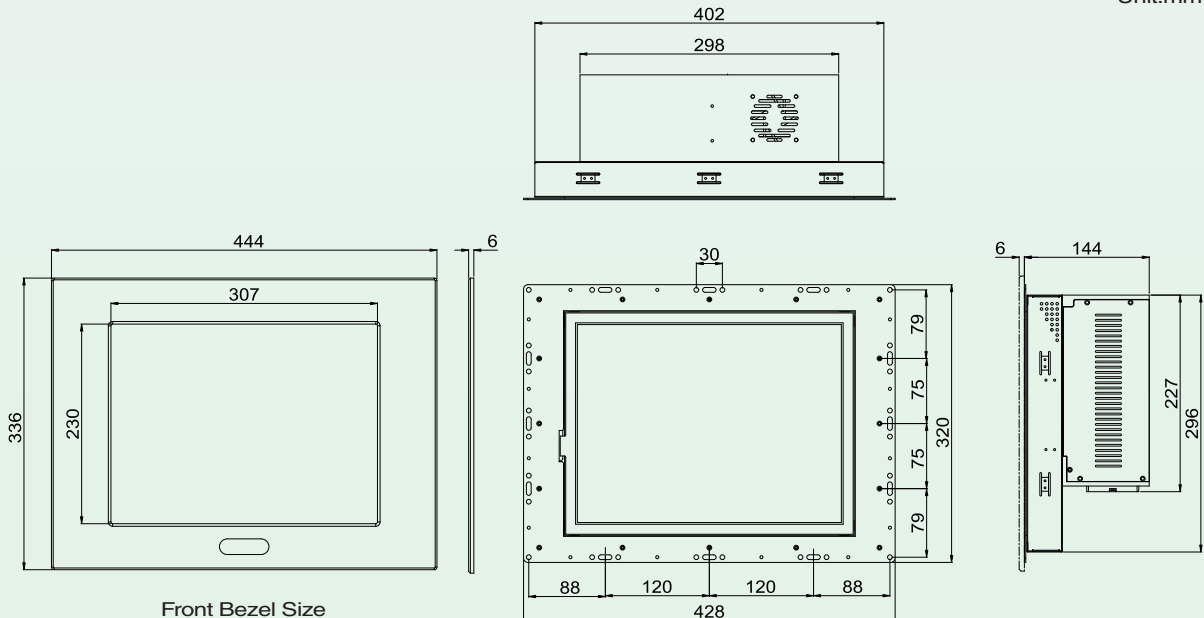


Front Bezel Size

Chassis Cutout Size : 333*258mm
LCD Cutout Size : 248.4*186.9mm

AMB-2053

Unit:mm



Front Bezel Size

Chassis Cutout Size : 405*299mm
LCD Cutout Size : 307*230mm