



◀ **AKB-106**
20 Function-key
Membrane Keyboard



AKB-107 ▶
56 Data-entry Key
Membrane Keyboard

Features

AKB-106

- 20 keys, compatible to IBM PC/AT keyboard
- Membrane key-switch for dust-protected and surface water-proof
- Support all Panel PCs

Features

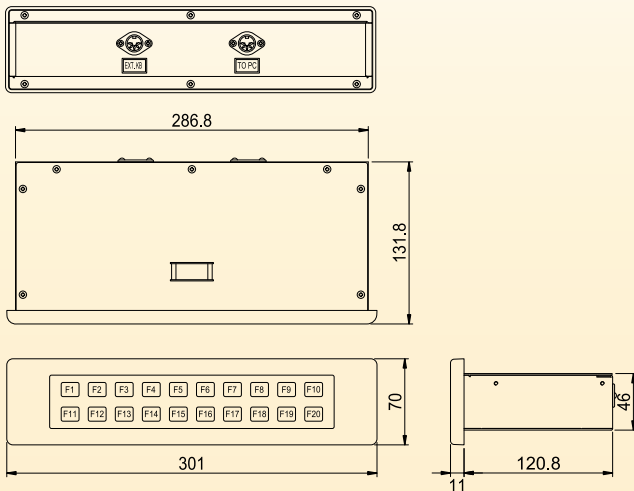
AKB-107

- 56 keys, compatible to IBM PC/AT keyboard, PS/2 keyboard, supports Windows function keys
- Membrane key-switch for dust-protected and surface water-proof
- Support all Panel PCs

Dimension

AKB-106

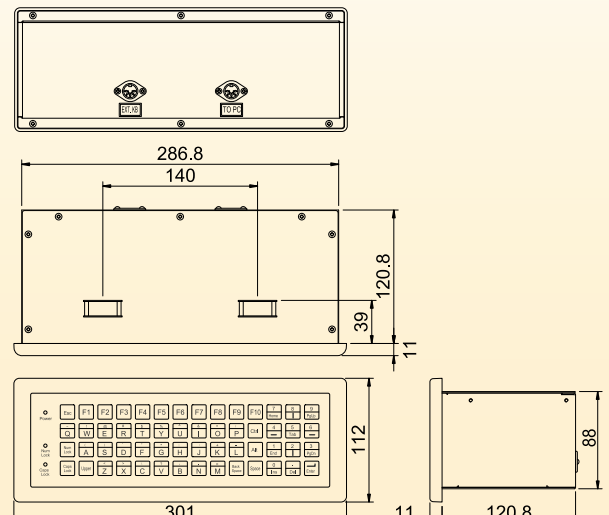
Unit:mm



Cutout Size : 290*49mm

AKB-107

Unit:mm



Cutout Size : 290*91mm