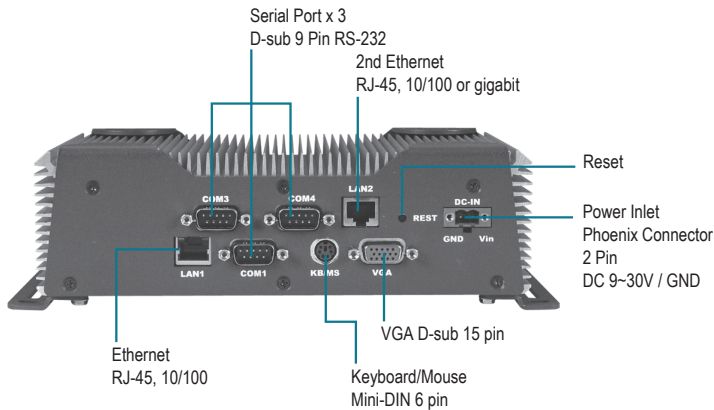
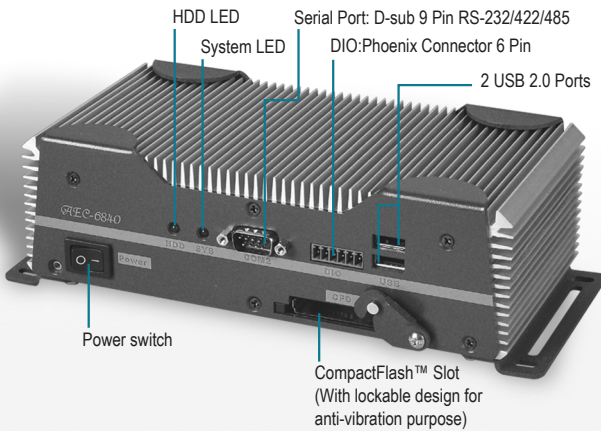


AEC-6840

Industrial Computing Platform Partner

Fanless Embedded Control PC with Intel® ULV Celeron® 400/650MHz, 4 COM, Dual LAN



Features

- Onboard Intel® ULV Celeron® 650MHz CPU
- Optional Dual LAN (Gigabit LAN)
- 4 COM / Digital IO / USB 2.0
- Optional TV Tuner / MPEG 4 Capture Function
- Anti-vibration up to 5 g rms / Anti-shock up to 100g

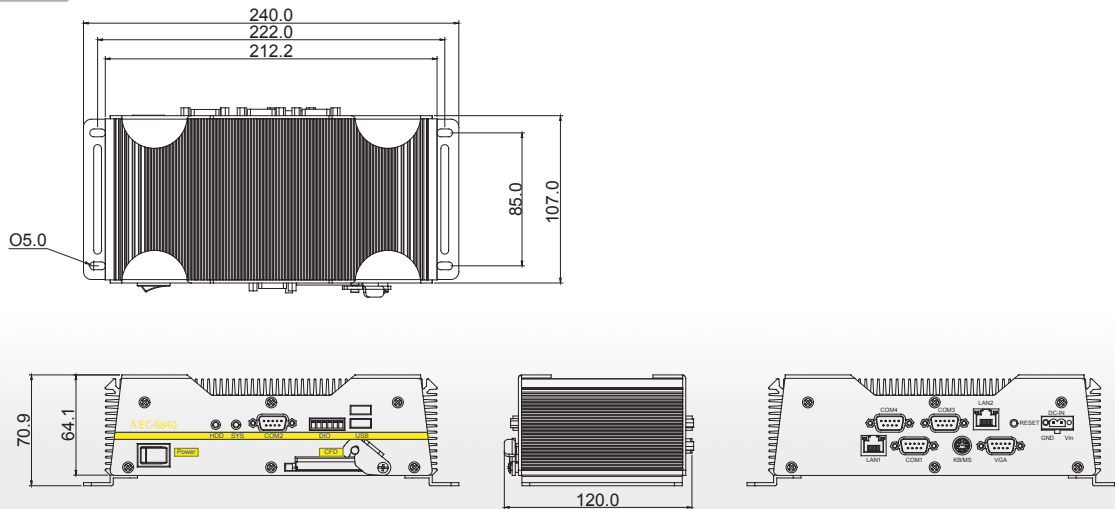


Specifications

System	
CPU	Intel® ULV Celeron® 400/650MHz Processor
System Memory	DDR SDRAM SODIMM x 1, Max. 512MB
VGA / Keyboard / Mouse	DB-15 VGA Connector x 1, PS/2 Keyboard & Mouse
Ethernet	10/100Base-TX RJ-45 connector x 1, Optional second LAN(10/100 or gigabit)
SSD	Type II CompactFlash™ slot x 1
Drive Bay	Optional 2.5" Slim HDD Module
Serial Port	RS-232 x 3, RS-232/422/485 x 1
Digital I/O	Supports 3 in & 3 out, up to 6 in or 6 out
USB	2 USB 2.0 ports
System Control	Power on / off switch x 1, Reset button x 1
Watchdog Timer	Generate a time-out system reset, setting via software
Power Supply	1.DC Input – Internal DC-DC Converter(Standard) Input voltage : 9V DC ~ 30V DC Output voltage : +5V@6A 2.AC Input – External Power Adaptor (Optional) Output rating : 36W Input voltage : 100V AC ~ 240V AC @ 50 ~ 60Hz
OS Support	Windows® CE .NET 4.2, Windows® XP Embedded, Windows® XP, Windows®2000
Mechanical and Environmental	
Construction	Rugged Aluminum Alloy chassis
Color	Dark Blue
Mounting	Din Rail, Wall-mount
Dimension	8.35" (W) x 2.53" (H) x 4.21" (D) (212mm x 64mm x 107mm)
Net Weight	4.75lb (2.16kg)
Gross Weight	8.36lb (3.8kg)

Dimension

Unit : mm



Operating Temperature	5°F ~ 131°F (-15°C ~ 55°C)--- 650MHz(CFD) 5°F ~ 140°F (-15°C ~ 60°C)--- 400MHz(CFD)
Operating Humidity	5 ~ 95%@40°C, non-condensing
Vibration	5 g rms / 5 ~ 500Hz / random operation(Without HDD Module) 1 g / 5 ~ 500Hz / random operation(With HDD Module)
Shock	100 g peak acceleration (11 msec. duration)
EMC	CE/FCC Class A

Ordering Information

- **AEC-6840-A1**
Embedded control PC.Intel® ULV Celeron® 650MHz CPU.Fanless.DC 9-30V.4 COM.Single LAN
- **AEC-6840-A2**
Embedded control PC.Intel® ULV Celeron® 650MHz CPU.Fanless.DC 9-30V.4 COM.Dual LAN
- **AEC-6840-A3**
Embedded control PC.Intel® ULV Celeron® 650MHz CPU.Fanless.DC 9-30V.4 COM.100M+GbE LAN
- **AEC-6840-A4**
Embedded control PC.Intel® ULV Celeron® 400MHz CPU.Fanless.DC 9-30V.4 COM.Single LAN
- **AEC-6840-A5**
Embedded control PC.Intel® ULV Celeron® 400MHz CPU.Fanless.DC 9-30V.4 COM.Dual LAN
- **AEC-6840-A6**
Embedded control PC.Intel® ULV Celeron® 400MHz CPU.Fanless.DC 9-30V.4 COM.100M+GbE LAN

Optional Accessories

- **9741681001**
HDD Kit
- **9741681002**
AC Input Adaptor Kit
- **9741681003**
DIN Rail Kit
- **9741681004**
Ultra Cooling Kit
- **9741666643**
1.8 g rms Vibration Protection HDD Kit for Vehicle
- **9681681000**
USB to Parallel Port Adaptor Kit
- **9789666605**
USB to 4 Serial Port Converter
- **9789666606**
USB to 2 Serial Port Converter
- **9741081006**
Easy I/O Module
- **9741681007**
UPS Battery Module
- **9789666614**
GPS Module