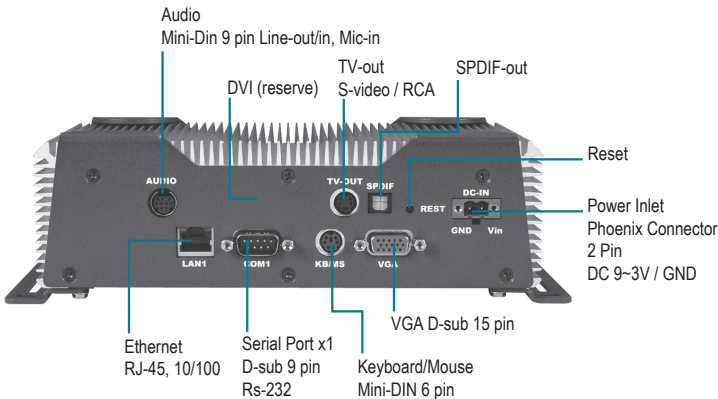
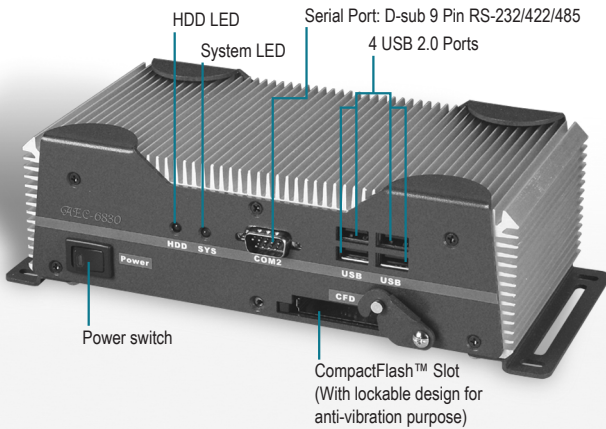


# AEC-6830

Industrial Computing Platform Partner

## Fanless Embedded Control PC with Intel® ULV Celeron® 650MHz, TV-out, DVI



### Features

- Fanless Design with Intel® ULV Celeron® 650 MHz Processor
- Optional Dual View for Multimedia Application
- MPEG2 Decoding / MPEG4 playing / TV-out / 6CH Audio / SPDIF / 4 USB 2.0 / Ethernet
- Supports CompactFlash™ Memory and optional HDD module

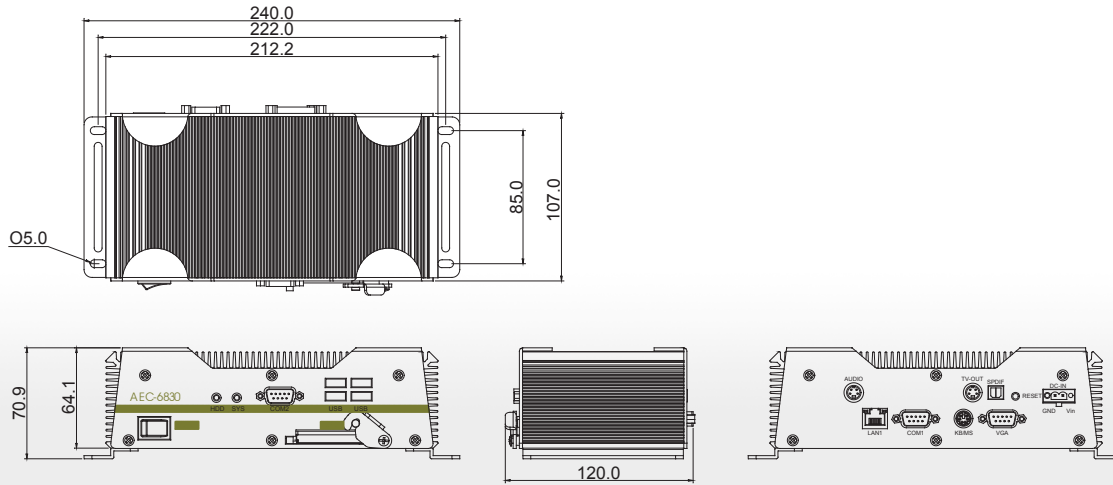


### Specifications

System	
CPU	Intel® ULV Celeron® 650MHz Processor
System Memory	DDR SDRAM SODIMM x 1, Max. 512MB
VGA / Keyboard / Mouse	DB-15 VGA Connector x 1, PS/2 Keyboard & Mouse
Ethernet	10/100Base-TX RJ-45 connector x 1
SSD	Type II CompactFlash™ slot x 1
Hard Disk Storage	Optional 2.5" Slim HDD Module
Serial Port	RS-232 x 1, RS-232/422/485 x 1
TV-out	S-video x 1, RCA x 1
DVI	Standard DVI output x 1
Audio	S/PDIF out x1, Mic-in / Line-in / Line-out
USB	4 USB 2.0 ports
System Control	Power on / off switch x 1, Reset button x 1
LED Indicator	Power LED x 1, HDD active LED x 1
Watchdog Timer	Generate a time-out system reset, setting via software
Power Supply	1.DC Input – Internal DC-DC Converter(Standard) Input voltage : 9V DC ~ 30V DC Output voltage : +5V@6A 2.AC Input – External Power Adaptor (Optional) Output rating : 36W Input voltage : 100V AC ~ 240V AC @ 50 ~ 60Hz
OS Support	Windows® CE .NET 4.2, Windows® XP Embedded, Windows® XP, Windows® 2000
Mechanical and Environmental	
Construction	Rugged Aluminum Alloy chassis
Color	Dark Blue
Mounting	Wall-mount (Default), Din Rail
Dimension	8.35" (W) x 2.53" (H) x 4.21" (D) (212 mm x 64.2 mm x 107 mm)
Net Weight	4.75lb (2.16kg)
Gross Weight	8.36lb (3.8kg)

## Dimension

Unit : mm



Operating Temperature	5°F ~ 131°F (-15°C ~ 55°C) (CFD), 32°F~122°F(0°C~50°C) (HDD)
Operating Humidity	5 ~ 95%@40°C, non-condensing
Vibration	5 g rms / 5 ~ 500Hz / random operation(Without HDD Module) 1 g / 5 ~ 500Hz / random operation(With HDD Module)
Shock	100 g peak acceleration (11 msec. duration)
EMC	CE/FCC Class A

## Ordering Information

- **AEC-6830-A1**  
Embedded control PC. Intel® ULV Celeron® 650MHz CPU. Fanless. DC 9-30V.  
TV-out, DVI

## Optional Accessories

- **9741681001**  
Slim HDD Kit for AEC-68X0
- **9741681002**  
AC Input Adaptor Kit for AEC-68X0
- **9741681003**  
DIN Rail Kit for AEC-68X0
- **9741681004**  
Ultra Cooling Kit
- **9741666643**  
1.8 g rms Vibration Protection HDD Kit for Vehicle (for AEC-68X0)
- **9681681000**  
USB to Parallel Port Adaptor Kit
- **9789666605**  
USB to 4 Serial Port Converter
- **9789666606**  
USB to 2 Serial Port Converter
- **9741081006**  
Easy I/O Module
- **9741681007**  
UPS Battery Module
- **9789666614**  
GPS Module (USB/RS-232 Interface)

7

Medical Station  
Solutions -  
ONYX

2

Fanless Operator  
Panel Solutions -  
OMNI

3

Robust Panel  
PC Solutions

4

Industrial  
Workstation  
Solutions

5

Industrial  
Monitor  
Solutions

6

Embedded  
Control PC  
(BOXER series)

7

Accessory  
Sunreadable  
LCD Monitors

8

Accessories  
and options