



## Features

- 7" WXGA (1280 x 800) TFT LCD Display, 400 nits, Sunlight Readable (Optional)
- Rockchip RK3288 1.6 GHz Quad Core Processor
- DDR3L 2GB SDRAM
- Projected Capacitive Multi-Touch Panel, Gorilla Glass
- Extended Battery Swappable, MIL-STD 810G, IP65 Compliant
- GPS/GLONASS Simultaneously
- WiFi b/g/n, Bluetooth V4.0
- Supports NFC/RFID, Ethernet + COM Port (Optional)
- 1D/2D Barcode Scanner with Trigger Button (Optional)
- MSR (Optional)/SCR (Optional)
- G-Sensor, Light Sensor, E-Compass
- Android 6.0



Sensor	S-sensor, E-compass, Gyroscope, Light-sensor
Expansion Slot	Docking
Barcode Scanner (Optional)	1D Scanner support CMOS engine (Optional), 2D Scanner support LED engine
HF RFID (Optional)	ISO 15693 (R/W) ISO 18092 (R/W) ISO 14443-A (R/W) ISO 14443-B (Only Read UID) Depend on card type
Physical Key	—
<b>Mechanical</b>	
Color	Black
Dimension (W x H x D)	5.38" x 8.58" x 0.83" (136.6mm x 219mm x 21mm)
Gross Weight	1.27lb (0.57kg)
<b>Environmental</b>	
Operating Temperature	-4°F ~ 140°F (-20°C ~ 60°C)
Storage Temperature	-67°F ~ 158°F (-55°C ~ 70°C)
Humidity	50°C; 5% ~ 90% R/H; 120 hours, non-condensing
Environmental Sealing	IP65
Vibration	MIL-STD-810G Method 514.6 Procedure I, Cat. 24, Fig. 514.6E-1 & E-2
Drop	MIL-STD-810G Method 516.6 Procedure IV - Height of Drop: 122cm (48 inch; 4ft) - Number of Drop: 26 times - Floor: Two inch plywood backed by concrete - For all surfaces, edges and corners
ESD	Air charge: +/- 8KV, Contact charge: +/- 4KV
Certifications and Standards	UL: UL60950-1, CE/LVD: EN60950-1, FCC, CE
<b>Power Supply</b>	
AC / DC Adapter	AC 100~240V, 50~60Hz; DC 12V/3A (36W)
Battery Life	Li-polymer high capacity battery, up to 5.5 hours battery life
Master Battery	External battery: 7.4V 1530mah
Slave Battery	Removable battery: 7.4V 1530mah
<b>Display</b>	
LCD	7" TFT-LCD / 16:10, with LED backlight
Resolution	1280 x 800 pixel
Maximum Color	16.7M
Dot Size	0.117(W) x 0.117(H)
Brightness	400 nits; Sunlight Readable (Optional)**
Viewing Angle	Horizontal: 178° (Typ.), Vertical: 178° (Typ.)
<b>Touch Screen</b>	
Touch Type	Projected capacitive multi-touch screen (PCT)
Light Transmission	Min 87% (ASTM D1003; Wavelength = 550nm)

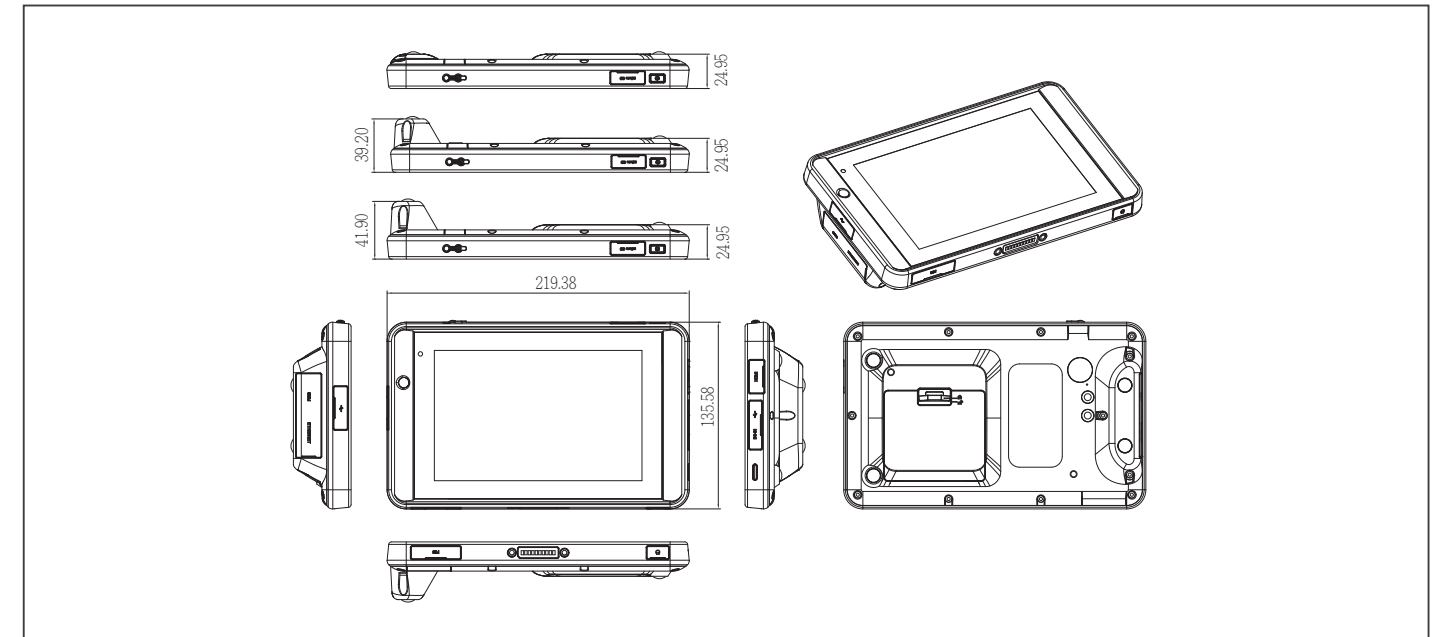
\* LTE: the module adder need customization depends on different countries, please contact Sales Rep.  
\*\* Sunlight readable by optional Anti-Reflective bonding and optional anti-glare film.  
\*\*\* 8MP camera might requires MOQ, please contact local Sales Rep.

## Specifications

System Architecture	
Processor	Rockchip RK3288 1.6 GHz Quad Core Processor
Operating System	Android™ 6.0
Memory	Onboard DDR3L 2 GB
Storage	Onboard 16GB eMMC
Display	7" TFT-LCD/ 16:10, with Projected Capacitive Multi-Touch screen
I/O Port	DC-in jack x 1, MicroSD Card x 1, SIM card slot x 1, Mini USB x 1, MiniHDMI x 1, USB type A x 1, Built-in Speaker & Microphone x 1, 3.5mm stereo headphone jack x 1, 1D/2D Barcode scanner x 1 (optional), Magnetic Stripe Reader x 1 (optional), COM port x 1 + Ethernet x 1 (optional)
Communication	Bluetooth v4.0, Wi-Fi (802.11 b/g/n), NFC / RFID (13.56MHz), 3G (Optional)
Navigation	GPS, Glonass
WWAN(optional)	LTE*
Camera	8 MP auto-focus rear camera with flash***

## Dimension

Unit: mm



## Packing List

- 1255300367 Power Adapter
- 9789600A00 Battery
- RTC-700RK

\*Power cord must be purchased separately.

## Optional Accessories

- 1255900361 Car Adapter, Flying Type
- 1255900360 Car Adapter, Barrel Type
- 1700050156 USB OTG Cable (Host to Device)
- 1702031830 Power Cord Cable for USA
- 1700051000 USB Cable (Client to PC)
- 1702031831 Power Cable for Europe
- PER-A151 USB, COM and RJ45 Module
- PER-A155 MSR Module
- PER-A156 MSR and SCR Module
- TF-RDS-0310-0000 Docking Station(with Stand)
- TF-RDS-0310-0002 Docking Station(without Stand)
- PER-A152 COM and Ethernet + Module
- PER-A153 BCR Module
- RDS-0040-0000 4-Bay Battery Charger
- 9759700B00 Hand Strap
- 9789700A04 Leather Strap for RTC-700X w/ BCR or LAN
- 9741600R04 Battery 2 Pcs in a Pack

\* Small quantity MOQ may apply for optional/customized services.

## Ordering Information

Part Number	CPU	LCD Display	Touch Screen	System Memory	Storage	OS	WiFi/Bluetooth	4G Bands (MHz)	Navigation	Sensor	Battery	Expansion I/O	Size & Weight	Operation Temp	Durable	NFC (HF RFID)	2D Barcode Scanner	Com + Ethernet	Docking
RTC-700RK-TAD-WBGRLE-7101		7" TFT LCD	Pcap 10-point	DDR3L 2GB	16GB eMMC Flash	Android 6.0	802.11 b/g/n + BT4.0+ EDR	FDD LTE: B1/B3/B5/B7/B8/B20 TDD LTE: B38/B40/B41 WCDMA: B1/B5/B8	GPS/ Glonass/ AGPS	Light Sensor x 1, G Sensor x 1, 3-axis digital gscopex 1, Vibrator x 1	Dual-Battery, Internal: 7.4V, 1530mAh, External: 7.4V, 1530mAh	MiniHDMI x 1, MiniUSB x 1, micro SD x 1, SIM Card x 1	L 219.4 x W 135.58 x H 39.20 mm, 640g	-4°F ~ 140°F (-20°C ~ 60°C)	Meet IEC 60529 IP-65 standard, Mil Std 810G-516.6, Procedure IV, 26 drops of 48" height to 2" plywood over concrete with bumpers & uNits off, 2 units to pass	Yes	Yes	—	Yes
RTC-700RK-TAD-WBGRLE-7102	Rockchip RK3288 1.6 GHz Quad Core Processor	7" TFT LCD	Pcap 10-point	DDR3L 2GB	16GB eMMC Flash	Android 6.0	802.11 b/g/n + BT4.0+ EDR	GSM: B3/B8	GPS/ Glonass/ AGPS		Dual-Battery, Internal: 7.4V, 1530mAh, External: 7.4V, 1530mAh	MiniHDMI x 1, MiniUSB x 1, micro SD x 1, SIM Card x 1	L 219.4 x W 135.58 x H 41.90 mm, 640g	-4°F ~ 140°F (-20°C ~ 60°C)		Yes	—	Yes	Yes
RTC-700RK-TAD-WBG-7100		7" TFT LCD	Pcap 10-point	DDR3L 2GB	16GB eMMC Flash	Android 6.0	802.11 b/g/n + BT4.0+ EDR	—	GPS/ Glonass/ AGPS		Dual-Battery, Internal: 7.4V, 1530mAh, External: 7.4V, 1530mAh	MiniHDMI x 1, MiniUSB x 1, micro SD x 1, SIM Card x 1	L 219.4 x W 135.58 x H 21.2 mm, 600g	-4°F ~ 140°F (-20°C ~ 60°C)		—	—	—	Yes



## Features

- 7" WXGA (1280 x 800) TFT LCD Display, 400 nits, Sunlight Readable (Optional)
- Intel® Atom™ x5-Z8350 CHT-T3 Quad Core 1.92 GHz Processor
- DDR3L - RS 1600 2GB/4GB (Optional)
- Projected Capacitive Multi-Touch Panel, Gorilla Glass
- Extended Battery Swappable, MIL-STD 810G, IP65 Compliant
- GPS/GLONASS Simultaneously
- WiFi b/g/n, BT4.0
- Supports NFC/RFID (Optional), Ethernet + COM Port (Optional)
- 1D/2D Barcode Scanner with Trigger Button
- MSR (Optional)/ SCR (Optional)
- G-Sensor, Light Sensor, E-Compass
- Windows® 10



Sensor	G-sensor, E-Compass, Gyroscope, Light-sensor
Expansion Slot	Docking
Barcode Scanner (Optional)	1D Scanner support CMOS engine (Optional), 2D Scanner support LED engine
HF RFID (Optional)	ISO 15693 (R/W) ISO 18092 (R/W) ISO 14443-A (R/W) ISO 14443-B (Only Read UID) Depend on card type
Physical Key	—
<b>Mechanical</b>	
Color	Black
Dimension (W x H x D)	5.38" x 8.58" x 0.83" (136.6mm x 219mm x 21mm)
Gross Weight	1.254 lb (0.57 kg)
<b>Environmental</b>	
Operating Temperature	-4 °F ~ 122°F (-20°C ~ 50°C)
Storage Temperature	-67°F ~ 158°F (-55 °C ~ 70 °C)
Humidity	50°C; 5% ~ 90% R/H; 120 hours, non-condensing
Environmental Sealing	IP65
Vibration	MIL-STD-810G Method 514.6 Procedure I, Cat. 24, Fig. 514.6E-1 & E-2
Drop	MIL-STD-810G Method 516.6 Procedure IV - Height of Drop: 122cm (48 inch; 4ft), - Number of Drop: 26 times, - Floor: Two inch plywood backed by concrete, - For all surfaces, edges and corners
ESD	Up to Air charge: +/- 15KV, Contact charge: +/- 8KV
Certifications and Standards	UL: UL60950-1, CE/LVD: EN60950-1, FCC, CE
<b>Power Supply</b>	
AC / DC Adapter	AC 100~240V, 50~60Hz ; DC 12V/3A (36W)
Battery Life	Dual li-polymer high capacity batteries, up to 5 hours battery life
Master Battery	External battery: 7.4V 1530mah
Slave Battery	Removable battery: 7.4V 1530mah
<b>Display</b>	
LCD	7" TFT-LCD / 16:10, with LED backlight
Resolution	1280 x 800 pixel
Maximum Color	16.7M
Dot Size	0.117 x 0.117(H)
Brightness	400 nits; Sunlight Readable (Optional)**
Viewing Angle	Horizontal: 178° (Typ.), Vertical: 178° (Typ.)
<b>Touch Screen</b>	
Touch Type	Projected capacitive multi-touch screen (PCT)
Light Transmission	Min 87% (ASTM D1003; Wavelength = 550nm)

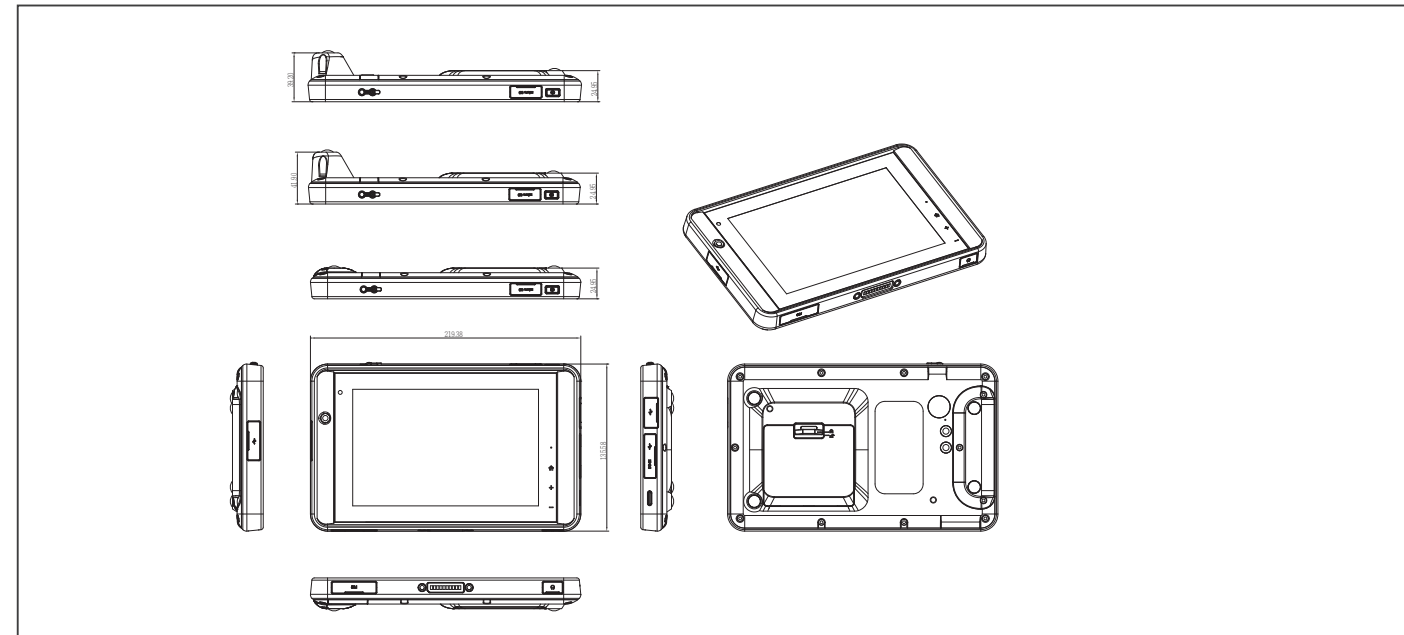
\* LTE: the module adder need customization depends on different countries, please contact Sales Rep.  
\*\* Sunlight readable by optional Anti-Reflective bonding and optional anti-glare film.

## Specifications

System Architecture	
Processor	Intel® Atom™ X5-Z8350 CHT-T3 Quad Core 1.92 GHz Processor
Operating System	Windows® 10
Memory	Onboard 2GB DDR3L (4G Optional)
Storage	Onboard 64GB eMMC
Display	7" TFT-LCD/ 16:10, with Projected Capacitive Multi-Touch screen
I/O Port	DC-in jack x 1, MicroSD Card x 1, SIM card slot x 1, USB 2.0 x 2 (A Type x 1, Mini USB x 1), USB 3.2 Gen 1 x 1 (Type C), Built-in Speaker & Microphone x 1, 3.5mm stereo headphone jack x 1, 1D/2D Barcode scanner x 1 (Optional), Magnetic Stripe Reader x 1 (Optional), COM port x 1 + Ethernet x 1 (Optional)
Communication	Bluetooth v4.0, Wi-Fi (802.11 b/g/n), NFC / RFID (13.56MHz), 3G (Optional)
Navigation	GPS, Glonass
WWAN(optional)	LTE*
Camera	2 MP front camera, 8 MP auto-focus rear camera with flash

## Dimension

Unit: mm



## Packing List

- 1255300367 AC Power Adapter
- 9789600A00 Battery
- RTC-700B

\*Power cord must be purchased separately.

## Optional Accessories

- 9759700B00 Hand strap
- 9789700A04 Leather Strap for RTC-700x w/ Barcode, or LAN used
- 1700051000 USB Cable (Client to PC)
- 1700240150 USB Dongle Type C to HDMI
- 1702031831 Power Cable for Europe
- 1702031830 Power Cord Cable for USA
- PER-A151 USB, COM and RJ-45 Module
- PER-A152 COM and Ethernet Module
- PER-A153 Barcode Module
- PER-A155 MSR Module
- PER-A156 MSR and SCR Module
- TF-RDS-0310-0000 Docking Station (with Stand)
- TF-RDS-0310-0002 Docking Station (without Stand)
- 9741600R04 Battery 2 PCS in a pack
- RDS-0040-0000 4-Bay Battery Charger
- 1255900360 Car Adapter, Barrel Type
- 1255900361 Car Adapter, Flying Type

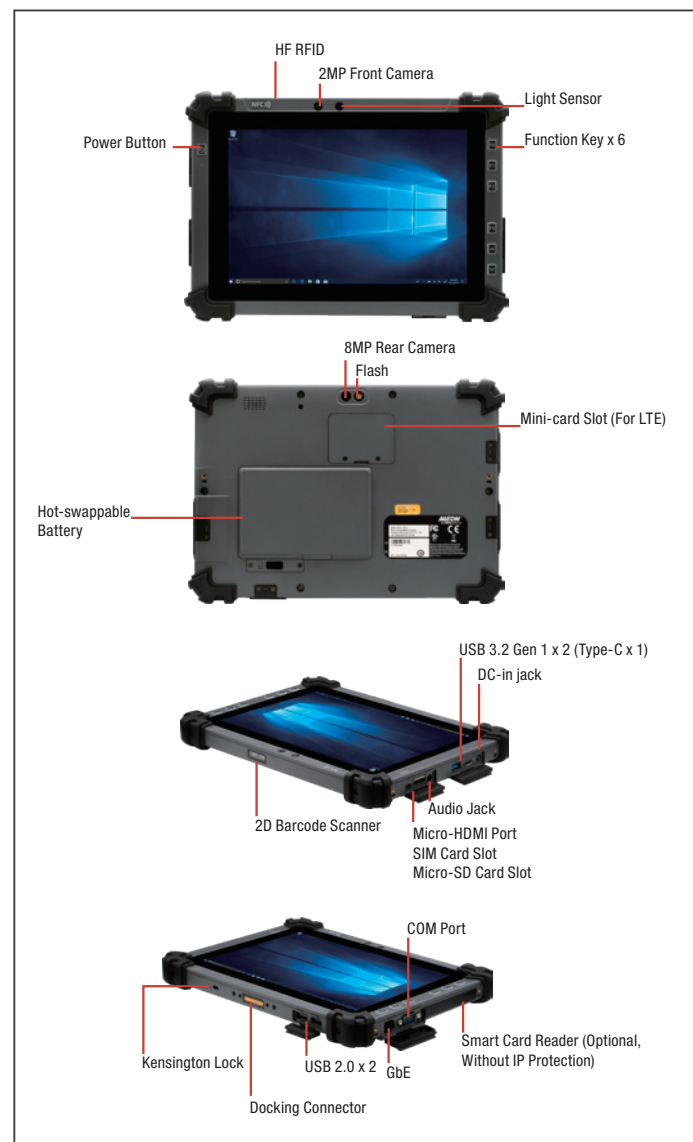
\* Small quantity MOQ may apply for optional/customized services.

## Ordering Information

Part Number	CPU	LCD Display	Touch Screen	System Memory	Storage	OS	WiFi/Bluetooth	4G Bands (MHz)	Navigation	Sensor	Camera	Battery	Expansion I/O	Size & Weight	Operation Temp	Durable	2D Barcode Scanner	Com + Ethernet	Docking
RTC-700B-TAD-WBGL-11A1	Intel® Atom™ x5-Z8350 CHT-T3 Quad Core 1.92 GHz Processor	7" TFT LCD	Pcap 10-point	DDR3L-RS 1600 2GB	64GB Flash eMMC	Windows® 10	802.11b/g/n +BT4.0+EDR		GPS/ Glonass/ AGPS*	Light Sensor x 1, G Sensor x 1, 3-axis digital gyroscope x 1, Vibrator x 1	Front: 2MP, Back: 8MP	Dual-Battery, Internal: 7.4V,1530mAh, External: 7.4V, 1530mAh		L219.4 x W135.58 x H 21.2mm, 640g	-4°F ~ 122°F (-20°C ~ 50°C)	Meet IEC 60529 IP-65 standard, Mil Std 810G-516.6, Procedure IV, 26 drops of 48" height to 2" plywood over concrete with bumpers & units off, 2 units to pass	Yes	—	Yes
RTC-700B-TAD-WBGL-11A2	Intel® Atom™ x5-Z8350 CHT-T3 Quad Core 1.92 GHz Processor	7" TFT LCD	Pcap 10-point	DDR3L-RS 1600 2GB	64GB Flash eMMC	Windows® 10	802.11b/g/n +BT4.0+EDR	FDD LTE: B1/B3/B5/B7/B8/B20 TDD LTE: B38/B40/B41 WCDMA: B1/B5/B8 GSM: B3/B8	GPS/ Glonass/ AGPS*	Light Sensor x 1, G Sensor x 1, 3-axis digital gyroscope x 1, Vibrator x 1	Front: 2MP, Back: 8MP	Dual-Battery, Internal: 7.4V,1530mAh, External: 7.4V, 1530mAh	USB A x 1, MiniUSB x 1, USB 3.2 Gen 1 x 1, micro SD x 1, SIM Card x 1	L219.4 x W135.58 x H 21.2mm, 640g	-4°F ~ 122°F (-20°C ~ 50°C)	—	Yes	Yes	
RTC-700B-TAD-WBGL-11A0	Intel® Atom™ x5-Z8350 CHT-T3 Quad Core 1.92 GHz Processor	7" TFT LCD	Pcap 10-point	DDR3L-RS 1600 2GB	64GB Flash eMMC	Windows® 10	802.11b/g/n +BT4.0+EDR		GPS/ Glonass/ AGPS*	Light Sensor x 1, G Sensor x 1, 3-axis digital gyroscope x 1, Vibrator x 1	Front: 2MP, Back: 8MP	Dual-Battery, Internal: 7.4V,1530mAh, External: 7.4V, 1530mAh				—	—	Yes	

# RTC-1010

10.1" Rugged Tablet Features with Intel® N3350/N4200 Processor with Windows®



## Features

- 10.1" WXGA (1280 x 800) 800-nit / 300-nit TFT LCD
- Intel® Celeron™ N3350 1.1 GHz Dual Core Up to 2.4 GHz (N4200 Optional)
- Onboard DDR3L Memory, 4GB (Default)
- eMMC 64GB (mSATA III Up to 512GB Optional)
- WiFi 802.11b/g/n, Bluetooth 4.2, LTE (Optional)
- 2MP Front and 8MP Rear Camera
- RS-232/422/485 COM Port + 10/100/1000 Base-T RJ45
- USB 3.2 Gen 1 x 2 (USB Type-C x 1), USB 2.0 x 2
- 2D Barcode Scanner & Smart Card/ HF RFID Reader (Optional)
- Up to 3 GNSS, GPS+Galileo(Default), GLONASS or BeiDou (Optional)
- One Hot-swappable Battery + Internal Battery, Up to 44W Battery Capacity
- MIL-STD-810G, IP65 Compliant, Drop 122cm
- Programmable Function Key: F0, F1, F2, F3, Volume Up/Down, With LED Illumination
- Windows® 10 IOT



Physical Key	F0 or Windows (Windows Start Key), F1(BCR Trigger Button (When BCR is enabled)), F2(Screenprint), F3(Ctrl+Alt+Del as Soft Reboot), Volume Up, Volume Down
<b>Mechanical</b>	
Color	Black & Dark Gray
Dimension (W x H x D)	10.71" x 7.48" x 0.80" (272.0 mm x 190.0 mm x 20.4 mm)
Gross Weight	2.2 lb (1.0 Kg) based on configurations
<b>Environmental</b>	
Operating Temperature	-4°F ~ 122°F (-20°C ~ 50°C)
Storage Temperature	-67°F ~ 158°F (-55°C ~ 70°C)
Humidity	0% ~ 90% relative humidity, non-condensing
Environmental Sealing	IP65
Vibration	MIL-STD-810G-514.6 Procedure I Cat.24, Fig 514.6E-1 & 514.6E-2 (Unit is non-operating) ASTM 4169-99 Truck Assurance Level II, Schedule E (Unit is non-operating)
Drop	MIL-STD-810G-516.6, Procedure IV Drop height: 122 cm Number of Drop: 26 times, for all surfaces, edges and corners Condition: Based on 2" plywood over concrete
ESD	Air charge: +/- 8KV, Contact charge: +/- 4KV
Certifications and Standards	UL60950-1, CE, FCC
<b>Power Supply</b>	
AC / DC Adapter	AC 100 ~ 240 V, 50 ~ 60 Hz, Output: 12V/ 3A/ 36W
Battery Life	Li-ion Battery 8-hour battery life based on test configurations
Master Battery	Hot-swappable battery: 14.4V, 2270mAh, 32.7W
Slave Battery	7.4V, 1530mAh, 11.3W
<b>Display</b>	
LCD	10.1" TFT-LCD/ 16:10 with LED backlight
Resolution	1280 x 800
Maximum Color	N/A
Dot Size	0.1692 (H) x 0.1692 (V) mm
Brightness	300 nits (800 nits optional)
Viewing Angle	Horizontal: 170° (Typ.), Vertical: 170° (Typ.)
<b>Touch Screen</b>	
Touch Type	Projected capacitive multi-touch screen (PCT)
Light Transmission	Min 85%

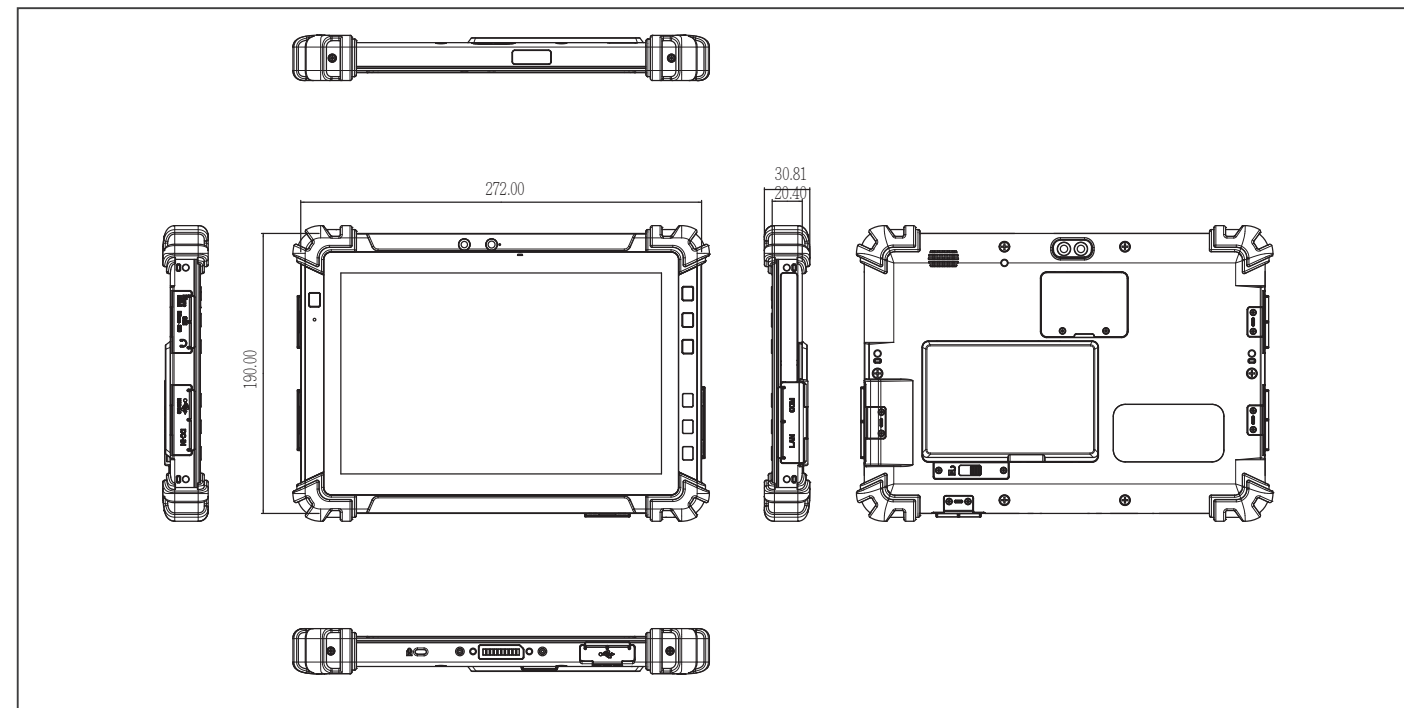
## Specifications

System Architecture	
Processor	Intel® Celeron® N3350 1.1GHz Dual core up to 2.4GHz Intel® Pentium® N4200 1.1GHz Quad core up to 2.5GHz
Operating System	Windows® 10 IOT Enterprise SAC
Memory	Onboard DDR3L 4GB (Default)
Storage	eMMC 64GB (mSATA III up to 512GB via inside mini-card slot, Optional)
Display	10.1" WXGA (1280x800) 800-nit / 300-nit TFT LCD With Projected Capacitive Multi-Touch Screen
I/O Port	Micro-HDMI port x 1, SIM card slot x 1, Micro-SD card slot x 1, Audio jack x 1, USB 3.2 Gen 1 x 2 (USB Type-C x 1), USB 2.0 x 2, DC-in jack x 1, RS-232/422/485 COM Port x 1, 10/100/1000 Base-T RJ45 x 1, Smart card reader x 1 (Optional, Without IP protection)
Communication	Wi-Fi 802.11 b/g/n, Bluetooth v4.2 (EDR+BLE)
Navigation	Up to 3 GNSS, GPS + Galileo (Default), GLONASS or BeiDou (Optional)
WWAN(optional)	LTE via mini-card slot (Optional)
Camera	2MP front camera, 8MP rear camera with flash
Sensor	G-sensor, E-compass, Gyro-sensor, Light-sensor
Expansion Slot	Inside mini-card slot x 1, Mini-card slot x 1, Docking connector: USB 2.0 x 1
Barcode Scanner (Optional)	2D Barcode scanner, OPTICON MDI-4100-USB (Optional)
HF RFID (Optional)	ISO 15693 (R/W) ISO 18092 (R/W) ISO 14443-A (R/W) ISO 14443-B (Only Read UID) Depend on card type

# RTC-1010

## Dimension

Unit: mm



## Packing List

- 12V Power Adaptor
  - RTC-1010
- \*Power cord must be purchased separately.

## Optional Accessories

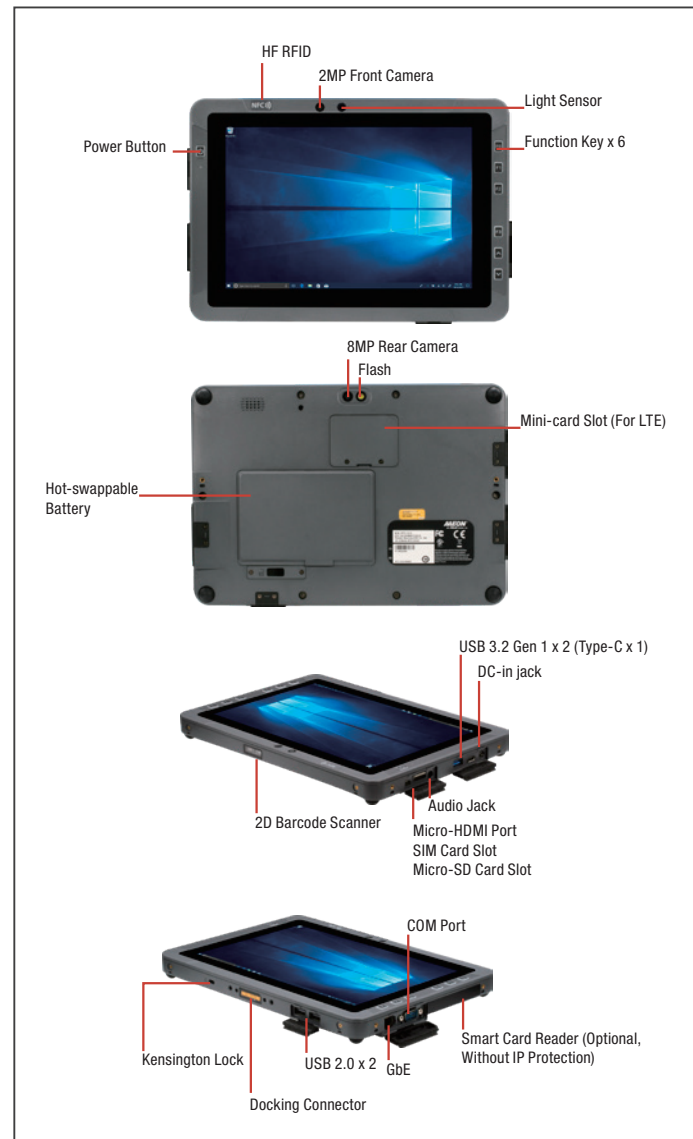
- RDS-411-000 Docking Station
- RDS-411-001 Docking Station, W/ Stand
- RBC-1200-000 4-bay Battery Charger
- RTC-1010-HS-000 Hand Strap
- RTC-1010-SB-000 Shoulder Belt, 2 Points
- RTC-1200BAT01-000 Battery Pack, 14.4V, 2270mAh, 2 pcs/Box
- 1255900363 DC-To-DC Power Adaptor, Flying Wires
- 1255900364 DC-To-DC Power Adaptor, Cigarette Plug

## Ordering Information

Part Number	CPU	OS	LCD Display	Touch Screen	System Memory	Storage	Expansion I/O	Sensor	WiFi/Bluetooth	Navigation	LTE Bands (MHz)	Camera	2D Barcode Scanner	HF RFID	Battery	Power
RTC-1010-R0004	N3350	Windows® 10 IOT	10.1" 300 nits	PCT 10 points	DDR3L 4GB	eMMC 64GB	Micro-HDMI port x 1, SIM card slot x 1, Micro-SD card slot x 1, Audio jack x 1, USB 3.2 Gen 1 x 2 (USB Type-C x 1), USB 2.0 x 2, DC-in jack x 1	G-sensor E-compass Gyro-sensor Light-sensor	802.11 b/g/n + BT4.2	—	—	Front: 2MP	—	—	32.7W	DC12V
RTC-1010-R0005	N3350	Windows® 10 IOT	10.1" 300 nits	PCT 10 points	DDR3L 4GB	eMMC 64GB	Micro-HDMI port x 1, SIM card slot x 1, Micro-SD card slot x 1, Audio jack x 1, USB 3.2 Gen 1 x 2 (USB Type-C x 1), USB 2.0 x 2, DC-in jack x 1, RS-232/422/485 COM Port x 1, 10/100/1000 Base-T RJ45 x 1	G-sensor E-compass Gyro-sensor Light-sensor	802.11 b/g/n + BT4.2	GPS / Galileo / GLONASS	—	Front: 2MP Rear: 8MP w/ Flash	—	—	32.7W + 11.3W	DC12V
RTC-1010-R0001	N3350	Windows® 10 IOT	10.1" 300 nits	PCT 10 points	DDR3L 4GB	eMMC 64GB	Micro-HDMI port x 1, SIM card slot x 1, Micro-SD card slot x 1, Audio jack x 1, USB 3.2 Gen 1 x 2 (USB Type-C x 1), USB 2.0 x 2, DC-in jack x 1, RS-232/422/485 COM Port x 1, 10/100/1000 Base-T RJ45 x 1	G-sensor E-compass Gyro-sensor Light-sensor	802.11 b/g/n + BT4.2	GPS / Galileo / GLONASS	—	Front: 2MP Rear: 8MP w/ Flash	Yes	Yes	32.7W + 11.3W	DC12V
RTC-1010-R0003	N4200	Windows® 10 IOT	10.1" 300 nits	PCT 10 points	DDR3L 4GB	eMMC 64GB	Micro-HDMI port x 1, SIM card slot x 1, Micro-SD card slot x 1, Audio jack x 1, USB 3.2 Gen 1 x 2 (USB Type-C x 1), USB 2.0 x 2, DC-in jack x 1, RS-232/422/485 COM Port x 1, 10/100/1000 Base-T RJ45 x 1	G-sensor E-compass Gyro-sensor Light-sensor	802.11 b/g/n + BT4.2	GPS / Galileo / GLONASS	—	Front: 2MP Rear: 8MP w/ Flash	Yes	Yes	32.7W + 11.3W	DC12V
RTC-1010-RH0005	N3350	Windows® 10 IOT	10.1" 800 nits	PCT 10 points	DDR3L 4GB	eMMC 64GB	Micro-HDMI port x 1, SIM card slot x 1, Micro-SD card slot x 1, Audio jack x 1, USB 3.2 Gen 1 x 2 (USB Type-C x 1), USB 2.0 x 2, DC-in jack x 1, RS-232/422/485 COM Port x 1, 10/100/1000 Base-T RJ45 x 1	G-sensor E-compass Gyro-sensor Light-sensor	802.11 b/g/n + BT4.2	GPS / Galileo / GLONASS	—	Front: 2MP Rear: 8MP w/ Flash	—	—	32.7W + 11.3W	DC12V
RTC-1010-RH0003	N4200	Windows® 10 IOT	10.1" 800 nits	PCT 10 points	DDR3L 4GB	eMMC 64GB	Micro-HDMI port x 1, SIM card slot x 1, Micro-SD card slot x 1, Audio jack x 1, USB 3.2 Gen 1 x 2 (USB Type-C x 1), USB 2.0 x 2, DC-in jack x 1, RS-232/422/485 COM Port x 1, 10/100/1000 Base-T RJ45 x 1	G-sensor E-compass Gyro-sensor Light-sensor	802.11 b/g/n + BT4.2	GPS / Galileo / GLONASS	—	Front: 2MP Rear: 8MP w/ Flash	Yes	Yes	32.7W + 11.3W	DC12V

# RTC-1010M

10.1" Semi-rugged Tablet Features With Intel® N3350 / N4200 Processor With Windows®



## Features

- 10.1" WXGA (1280 x 800) 300-nit TFT LCD (Default)
- Intel® Celeron™ N3350 1.1GHz Dual Core Up to 2.4GHz (N4200 Optional)
- Onboard DDR3L Memory, 4GB (Default)
- eMMC 64GB (mSATA III Up to 512GB Optional)
- WiFi 802.11b/g/n, Bluetooth 4.2, LTE (Optional)
- 2MP Front and 8MP Rear Camera
- RS-232/422/485 COM Port + 10/100/1000 Base-T RJ45 (Optional)
- USB 3.2 Gen 1 x 2 (USB Type-C x 1), USB 2.0 x 2
- 2D Barcode Scanner & Smart Card Reader (Optional)
- HF RFID/ MSR Reader (Optional)
- Up to 3 GNSS, GPS+Galileo(Default), GLONASS or BeiDou (Optional)
- One Hot-swappable Battery + Internal Battery, Up to 44W Battery Capacity
- IP54 Compliant, Drop 76cm
- Programmable Function Key: F0, F1, F2, F3, Volume Up/Down, With LED Illumination
- Windows® 10 IOT



HF RFID (Optional)	ISO 15693 (R/W) ISO 18092 (R/W) ISO 14443-A (R/W) ISO 14443-B (Only Read UID) Depend on card type
Physical Key	F0 or Windows (Windows Start Key), F1(BCR Trigger Button (When BCR is enabled)), F2(Screenprint), F3(Ctrl+Alt+Del as Soft Reboot), Volume Up, Volume Down
<b>Mechanical</b>	
Color	Black & Dark Gray
Dimension (W x H x D)	10.71" x 7.48" x 0.80" (272.0 mm x 190.0 mm x 20.4 mm)
Gross Weight	2.1 lb (0.95 Kg) based on configurations
<b>Environmental</b>	
Operating Temperature	-4°F ~ 122°F (-20°C ~ 50°C)
Storage Temperature	-67°F ~ 158°F (-55°C ~ 70°C)
Humidity	0% ~ 90% relative humidity, non-condensing
Environmental Sealing	IP54
Vibration	—
Drop	Drop height: 76 cm Condition: Based on 2" plywood over concrete
ESD	Air charge: +/- 8KV, Contact charge: +/- 4KV
Certifications and Standards	UL60950-1, CE, FCC
<b>Power Supply</b>	
AC / DC Adapter	AC 100 ~ 240 V, 50 ~ 60 Hz, Output: 12V/ 3A/ 36W
Battery Life	Li-ion Battery 8-hour battery life based on test configurations
Master Battery	Hot-swappable battery: 14.4V, 2270mAh, 32.7W
Slave Battery	7.4V, 1530mAh, 11.3W
<b>Display</b>	
LCD	10.1" TFT-LCD/ 16:10 with LED backlight
Resolution	1280 x 800
Maximum Color	N/A
Dot Size	0.1692 (H) x 0.1692 (V) mm
Brightness	300 nit (800 nits optional)
Viewing Angle	Horizontal: 170° (Typ.), Vertical: 170° (Typ.)
<b>Touch Screen</b>	
Touch Type	Projected capacitive multi-touch screen (PCT)
Light Transmission	Min 85%

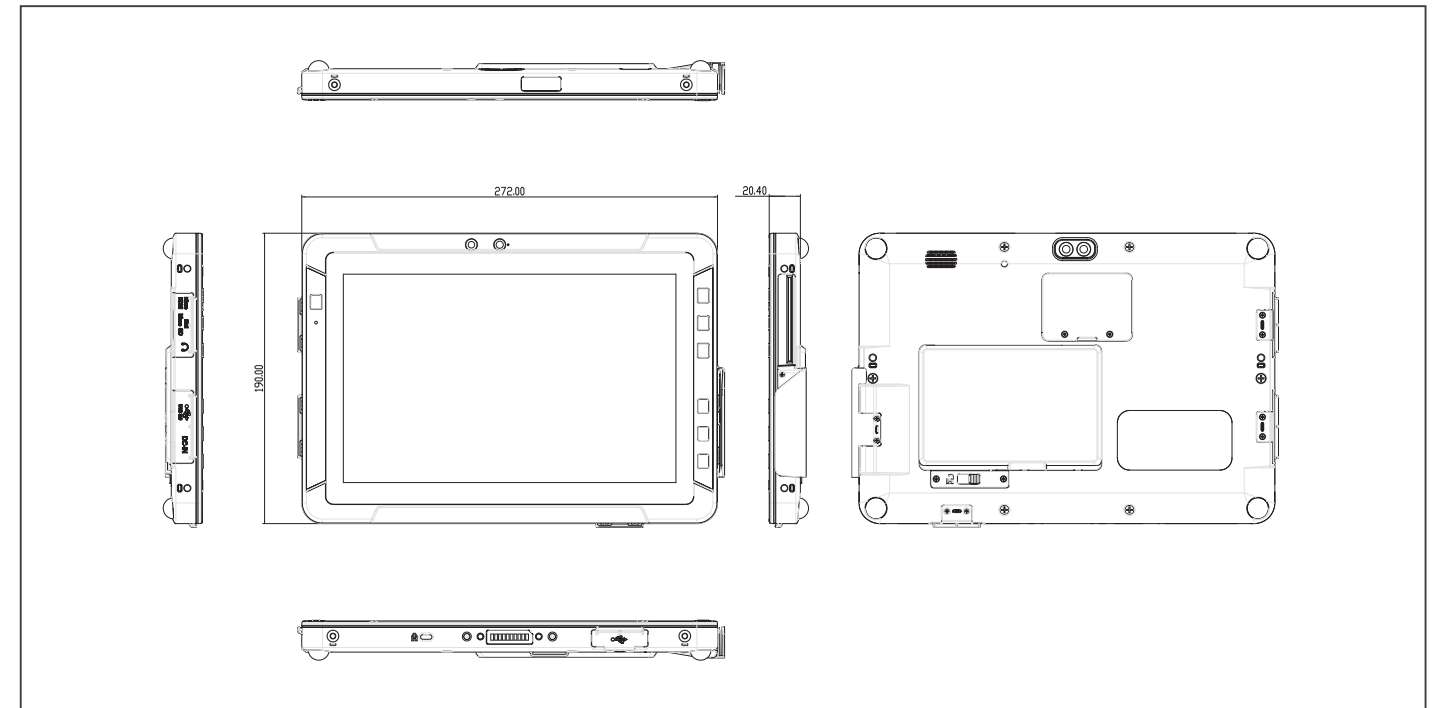
## Specifications

System Architecture	
Processor	Intel® Celeron™ N3350 1.1GHz Dual core up to 2.4GHz Intel® Pentium™ N4200 1.1GHz Quad core up to 2.5GHz
Operating System	Windows® 10 IOT Enterprise SAC
Memory	Onboard DDR3L 4GB (Default)
Storage	eMMC 64GB (mSATA III up to 512GB via inside mini-card slot, Optional)
Display	10.1" WXGA (1280x800) 300-nit TFT LCD With Projected Capacitive Multi-Touch Screen
I/O Port	Micro-HDMI port x 1 SIM card slot x 1 Micro-SD card slot x 1 Audio jack x 1 USB 3.2 Gen 1 x 2 (USB Type-C x 1), USB 2.0 x 2, DC-in jack x 1, RS-232/422/485 COM Port x 1 (Optional), 10/100/1000 Base-T RJ45 x 1 (Optional), Smart card reader x 1 (Optional, Without IP protection), MSR reader x 1 (Optional, Without IP protection)
Communication	Wi-Fi 802.11 b/g/n Bluetooth v4.2 (EDR + BLE)
Navigation	Up to 3 GNSS, GPS + Galileo (Default), GLONASS or BeiDou (Optional)
WWAN(optional)	LTE via mini-card slot (Optional)
Camera	2MP front camera 8MP rear camera with flash
Sensor	G-sensor, E-compass, Gyro-sensor, Light-sensor
Expansion Slot	Inside mini-card slot x 1, Mini-card slot x 1, Docking connector: USB 2.0 x 1
Barcode Scanner (Optional)	2D Barcode scanner, OPTICON MDI-4100-USB (Optional)

# RTC-1010M

## Dimension

Unit: mm



## Packing List

- 12V Power Adaptor
- RTC-1010M

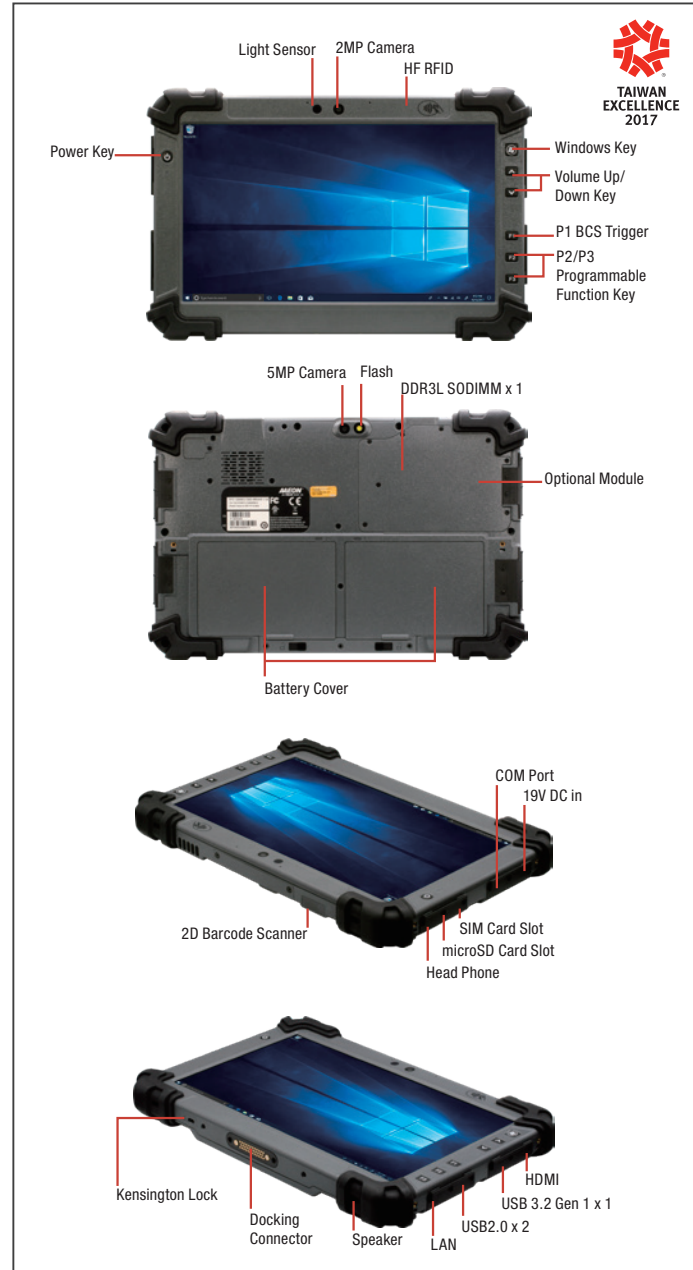
\*Power cord must be purchased separately.

## Optional Accessories

- RDS-411-000 Docking Station
- RDS-411-001 Docking Station, W/ Stand
- RBC-1200-000 4-bay Battery Charger
- RTC-1010-HS-000 Hand Strap
- RTC-1010-SB-000 Shoulder Belt, 2 Points
- RTC-1200BAT01-000 Battery Pack, 14.4V, 2270mAh, 2 pcs/Box

## Ordering Information

Part Number	CPU	OS	LCD Display	Touch Screen	System Memory	Storage	Expansion I/O	Sensor	WiFi/Bluetooth	Navigation	LTE Bands (MHz)	Camera	2D Barcode Scanner	SCR	HF RFID	MSR	Battery	Power
RTC-1010-M0002	N3350	Windows 10 IOT	10.1" 300 nits	PCT 10 points	DDR3L 4GB	eMMC 64GB	Micro-HDMI port x 1 SIM card slot x 1 Micro-SD card slot x 1 Audio jack x 1 USB 3.2 Gen 1 x 2 (USB Type-C x 1), USB 2.0 x 2 DC-in jack x 1	G-sensor E-compass Gyro-sensor Light-sensor	802.11 b/g/n + BT4.2	N/A	—	Front: 2MP	—	—	—	—	32.7W	DC12V
RTC-1010-M0001	N3350	Windows 10 IOT	10.1" 300 nits	PCT 10 points	DDR3L 4GB	eMMC 64GB	Micro-HDMI port x 1 SIM card slot x 1 Micro-SD card slot x 1 Audio jack x 1 USB 3.2 Gen 1 x 2 (USB Type-C x 1), USB 2.0 x 2 DC-in jack x 1	G-sensor E-compass Gyro-sensor Light-sensor	802.11 b/g/n + BT4.2	GPS/ Galileo/ GLONASS	—	Front: 2MP Rear: 8MP w/ Flash	Yes	Yes	Yes	Yes	32.7W + 11.3W	DC12V
RTC-1010-M0003	N4200	Windows 10 IOT	10.1" 300 nits	PCT 10 points	DDR3L 4GB	eMMC 64GB	Micro-HDMI port x 1 SIM card slot x 1 Micro-SD card slot x 1 Audio jack x 1 USB 3.2 Gen 1 x 2 (USB Type-C x 1), USB 2.0 x 2 DC-in jack x 1 RS-232/422/485 COM Port x 1 10/100/1000 Base-T RJ45 x 1	G-sensor E-compass Gyro-sensor Light-sensor	802.11 b/g/n + BT4.2	GPS/ Galileo/ GLONASS	—	Front: 2MP Rear: 8MP w/ Flash	Yes	—	Yes	—	32.7W + 11.3W	DC12V



## Features

- 11.6" FHD (1920 x 1080) 300-nit / 1000-nit TFT LCD
- Intel® Core™ i 7100U / 7300U / Celeron® 3965U Up to 3.9 GHz
- One DDR3L SODIMM Socket, Up to 8GB, DDR4 SODIMM Socket (Optional)
- One M.2 Slot for SSD, 64GB (Default)
- WiFi 802.11b/g/n, Bluetooth 4.1, LTE (Optional)
- 2MP Front and 5MP Rear Camera
- RS-232/422/485 COM Port + 10/100/1000 Base-T RJ45
- USB 3.2 Gen 1 x 1, USB 2.0 x 2, USB 3.2 Gen 1 x 1 (Type C) (Optional)
- 2D Barcode Scanner/ HF RFID Reader (Optional)
- Hot-swappable Battery, 14.4V/ 2270mAh, 32.7W x 2
- MIL-STD-810G, IP65 Compliant, Drop 122cm
- Programmable Function Key: Windows, Volume Up/Down, F1, F2, F3, With LED Illumination
- Docking Connector with GNSS / WWAN Antenna Pass-through Connector
- Windows® 10 IOT (Windows® 7 for Skylake, Optional)



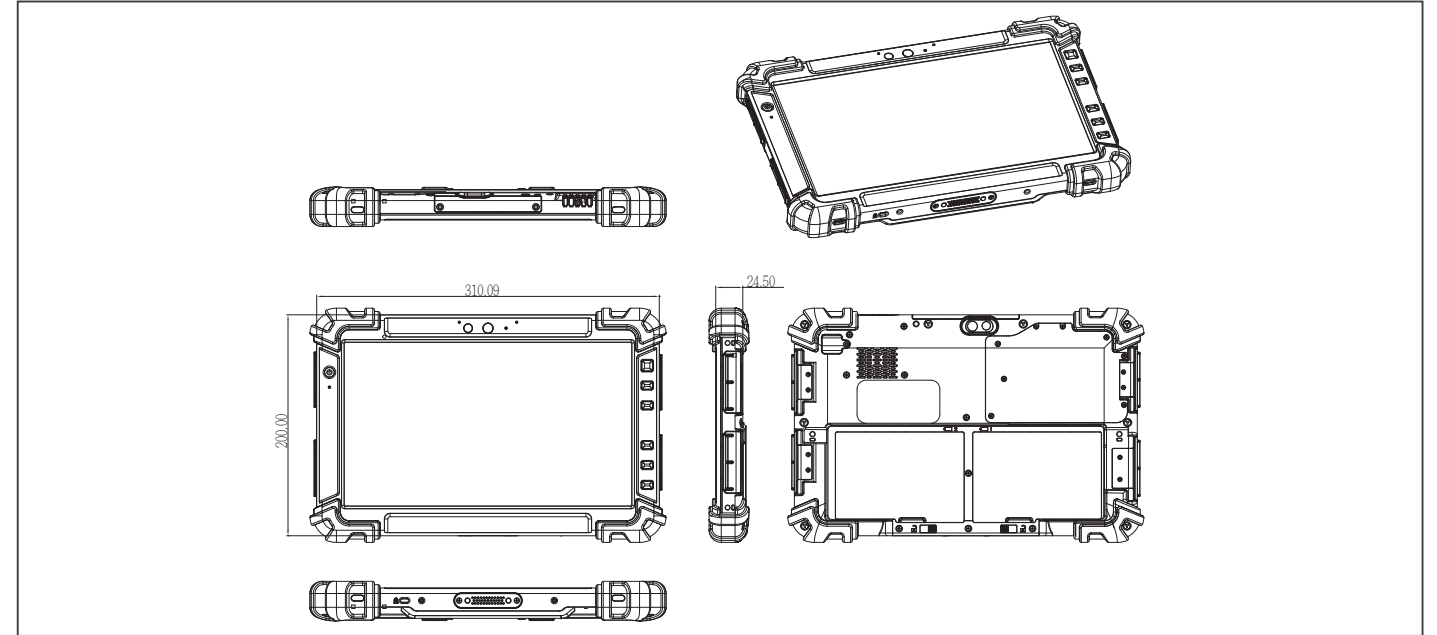
Expansion Slot	Docking connector x 1, GNSS antenna Pass-through connector x 1, WWAN antenna Pass-through connector x 1
Barcode Scanner (Optional)	2D Barcode scanner, OPTICON MDI-4100-USB (Optional)
HF RFID (Optional)	ISO 15693 (R/W), ISO 18092 (R/W), ISO 14443-A (R/W), ISO 14443-B (Only Read UID), Depend on card type
Physical Key	F0 or Windows (Windows Start Key), F1(Ctrl+Alt+Del & Barcode Scanner Trigger), F2 (Touch Mode Switch), F3 (PrtSc/printsreen), Volume Up, Volume Down
<b>Mechanical</b>	
Color	Gray & Black
Dimension (W x H x D)	12.36" x 7.87" x 0.96" (310.4mm x 200mm x 24.5mm)
Gross Weight	3.3 lbs (1.5 kg)
<b>Environmental</b>	
Operating Temperature	-4°F ~ 140°F (-20°C ~ 60°C)
Storage Temperature	-67°F ~ 158°F (-55°C ~ 70°C)
Humidity	50°C; 5% ~ 90% R/H; 120 hours, non-condensing
Environmental Sealing	IP65
Vibration	MIL-STD-810G Method 514.6 Procedure I, Cat. 24, Fig. 514.6E-1 & E-2
Drop	MIL-STD-810G Method 516.6 Procedure IV - Height of Drop: 122cm (48 inch; 4ft), - Number of Drop: 26 times, - Floor: Two inch plywood backed by concrete, - For all surfaces, edges and corners
ESD	Air charge: +/- 8KV, Contact charge: +/- 4KV
Certifications and Standards	UL: UL60950-1, CE/LVD: EN60950-1, FCC, CE
<b>Power Supply</b>	
AC / DC Adapter	AC 100~240V, 50~60Hz ; DC 19V/3.42A (65W)
Battery Life	Dual Li-Ion High Capacity Batteries, up to 10 Hours Battery Life
Master Battery	Hot-swappable battery: 14.4V, 2270mAh, 32.7W
Slave Battery	Hot-swappable battery: 14.4V, 2270mAh, 32.7W
<b>Display</b>	
LCD	11.6" TFT-LCD/ 16:9, with LED backlight
Resolution	1920 x 1080 pixel
Maximum Color	16.7M
Dot Size	0.117 x 0.117(H)
Brightness	1000 nits; 300 nits (Optional)
Viewing Angle	Horizontal: 178° (Typ.), Vertical: 178° (Typ.)
<b>Touch Screen</b>	
Touch Type	11.6" Projected Capacitive Multi-Touch Screen Gloves / Finger Switchable by F2
Light Transmission	Min 87% (ASTM D1003; Wavelength = 550 nm)

## Specifications

System Architecture	
Processor	Intel® Core™ i 7100U / 7300U Dual Core up to 3.9GHz Intel® Celeron® 3965U Dual Core 2.2GHz Processor
Operating System	Windows® 10 IoT Enterprise 64bit (Default) Windows® 7 for Skylake (Optional)
Memory	DDR3L SODIMM Socket x 1, up to 8GB, DDR4 SODIMM Socket (Optional)
Storage	M.2 (NGFF) SSD, 64GB (Default)
Display	11.6" FHD (1920x1080) 300-nit / 1000-nit TFT-LCD With Projected Capacitive Multi-Touch Screen
I/O Port	HDMI port x 1, SIM card slot x 1, Micro-SD card slot x 1, Audio jack x 1 (3.5mm), USB 3.2 Gen 1 x 1 (Type A), USB 3.2 Gen 1 x 1 (Type C) (Optional), USB 2.0 x 2 (Type A), DC-in Jack x 1, RS-232/422/485 COM Port x 1, 10/100/1000 Base-T RJ45 x 1
Communication	Wi-Fi 802.11 b/g/n, Bluetooth v4.1
Navigation	GPS, GLONASS
WWAN(optional)	LTE via mini-card slot (Optional)
Camera	2 MP front camera, 5 MP auto-focus rear camera with flash
Sensor	G-sensor, E-compass, Gyro-sensor, Light-sensor

## Dimension

Unit: mm



## Ordering Information

Part Number	CPU	LCD Display	Touch Screen	System Memory	Storage	OS	WiFi/Bluetooth	LTE Bands (MHz)	Navigation	Sensor	Camera	Battery	Power	Expansion I/O	Size & Weight	Operation Temp	Durable	HF RFID	2D Barcode Scanner	Docking
RTC-1200-RH001	Intel® Celeron® 3965U	11.6" 300 nits	Pcap 10-point	SODIMM DDR3L 4GB	M.2 SSD 64GB	Windows 10 IOT	802.11 b/g/n + BT4.1	—	GPS/ Glonass	G-sensor E-compass Gyro-sensor Light-sensor	Front: 2MP Rear: 5MP w/Flash	32.7W + 32.7W	DC19V	—	310.4 mm x 200 mm x 24.5 mm, 1.5kg	-4°F ~ 140°F (-20°C ~ 60°C)	—	—	Yes	
RTC-1200-RH002	Intel® Core™ i3 7100U	11.6" 1000 nits	Pcap 10-point	SODIMM DDR3L 4GB	M.2 SSD 64GB	Windows 10 IOT	802.11 b/g/n + BT4.1	—	GPS/ Glonass	G-sensor E-compass Gyro-sensor Light-sensor	Front: 2MP Rear: 5MP w/Flash	32.7W + 32.7W	DC19V	HDMI port x 1, SIM card slot x 1, Micro-SD card slot x 1, Audio jack x 1, USB 3.2 Gen 1 x 1, USB 2.0 x 2, DC-in jack x 1, RS-232/422/485 COM Port x 1, 10/100/1000 Base-T RJ45 x 1	310.4 mm x 200 mm x 24.5 mm, 1.5kg	-4°F ~ 140°F (-20°C ~ 60°C)	Meet IEC 60529 IP-65 standard MIL Std 810C-516.6, Procedure IV MIL Std 810G-514.6, Procedure I 28 drops of 48" height to 2" plywood over concrete with bumpers & unit off 2 units to pass	Yes	—	Yes
RTC-1200-RH003	Intel® Core™ i3 7100U	11.6" 1000 nits	Pcap 10-point	SODIMM DDR3L 4GB	M.2 SSD 64GB	Windows 10 IOT	802.11 b/g/n + BT4.1	—	GPS/ Glonass	G-sensor E-compass Gyro-sensor Light-sensor	Front: 2MP Rear: 5MP w/Flash	32.7W + 32.7W	DC19V	—	310.4 mm x 200 mm x 24.5 mm, 1.5kg	-4°F ~ 140°F (-20°C ~ 60°C)	Yes	Yes	Yes	
RTC-1200-RH004	Intel® Core™ i5 7300U	11.6" 1000 nits	Pcap 10-point	SODIMM DDR3L 4GB	M.2 SSD 64GB	Windows 10 IOT	802.11 b/g/n + BT4.1	—	GPS/ Glonass	G-sensor E-compass Gyro-sensor Light-sensor	Front: 2MP Rear: 5MP w/Flash	32.7W + 32.7W	DC19V	—	310.4 mm x 200 mm x 24.5 mm, 1.5kg	-4°F ~ 140°F (-20°C ~ 60°C)	Yes	—	Yes	

## Packing List

- 125530065A Adapter
  - RTC-1200
- \*Power cord must be purchased separately.

## Optional Accessories

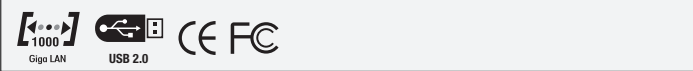
- RTC-1200HSP01-000 Rotating Hand-Strap
- RTC-1200BLT01-000 Shoulder Belt 2-point
- RTC-1200BLT02-000 Shoulder Belt 4-point
- RTC-1200SPC01-000 Swivel portfolio case
- RTC-1200-STSO2-000 Active Stylus
- RTC-1200BAT01-000 Batteries x 2/ Box
- RTC-1200BKT01-000 Mount Bracket (VESA/RAM)
- RBC-1200-000 Battery Charger
- RDS-241V-0000/0001 Vehicle Docking

\* Small quantity MOQ may apply for optional/customized services.



## Features

- Apply on RTC-1010/ RTC-1010M
- Front-facing I/Os: USB 2.0 x 2 with Protection Cover
- Downward-facing I/Os for Easy Cable Management: USB 2.0 x 2, RS-232 x 1 (Two: Optional), RJ45 GbE x 1, DC-in Phoenix Connector x 1
- Wide Voltage Input: 9VDC ~ 36VDC
- Power Adaptor: AC Power Adaptor (Default)
- Anti-theft Lock with Key & VESA Mount

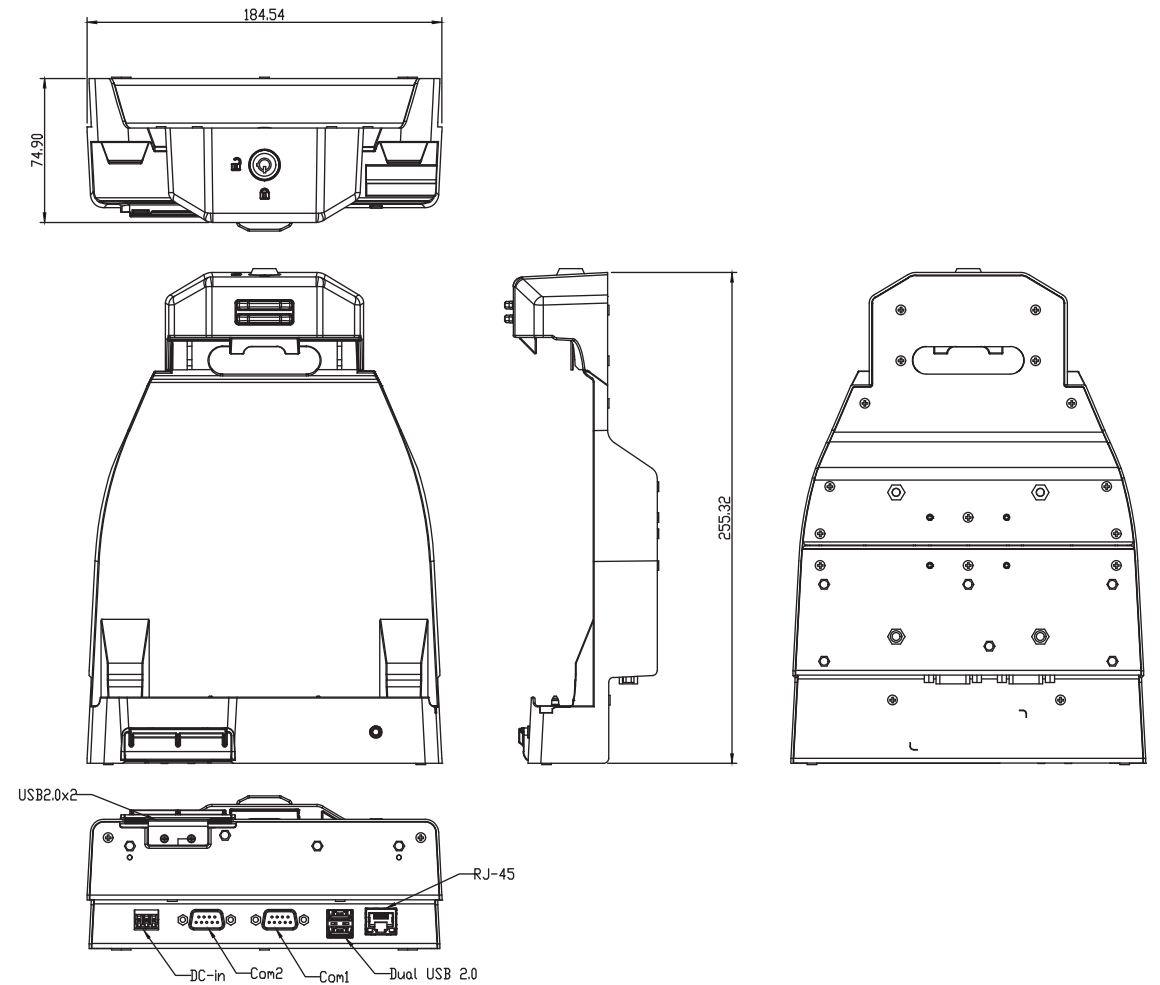


## Specifications

System	
I/O	Front-facing I/Os: USB 2.0 x 2 with protection cover Downward-facing I/Os: USB 2.0 x 2 RS-232 x 1 (Two: Optional) RJ45 GbE x 1
DC Input	Phoenix connector: DINKLE ECH381H-03P Wide Voltage Input: DC 9V to 36V Mating connector: DINKLE EC381V-03P
LED Indicator	Orange: DC in w/o Tablet Blue: DC in w/ Tablet
Others	Anti-theft lock with key & VESA mount
Mechanical	
Color	Black
Construction	PC
Dimensions (W x H x D)	10.08" x 7.28" x 2.96" (256 x 185 x 75 mm)
Gross Weight	6.17 lb (2.8 Kg)
Environmental	
Operating Temperature	32°F ~ 122°F (0°C ~ 50°C)
Storage Temperature	14°F ~ 140°F (-10°C ~ 60°C)
ESD	Air charge: +/- 8KV Contact charge: +/- 4KV
EMC/ Safety	CE/FCC Class B/UL
Power Supply	
AC/DC Adapter	AC 100 ~ 240 V, 50 ~ 60 Hz, Output: 12V/ 3.34A/ 40W DC connector: DINKLE EC381V-03P
DC/DC Adapter	N/A

## Dimension

Unit: mm



## Ordering Information

- RDS-411-000**  
Docking Station.USBx4.RS-232.RJ45.DC Connector.9-36V Input
- RDS-411-001**  
Docking Station.USBx4.RS-232.RJ45.DC Connector.9-36V Input.W/ Stand

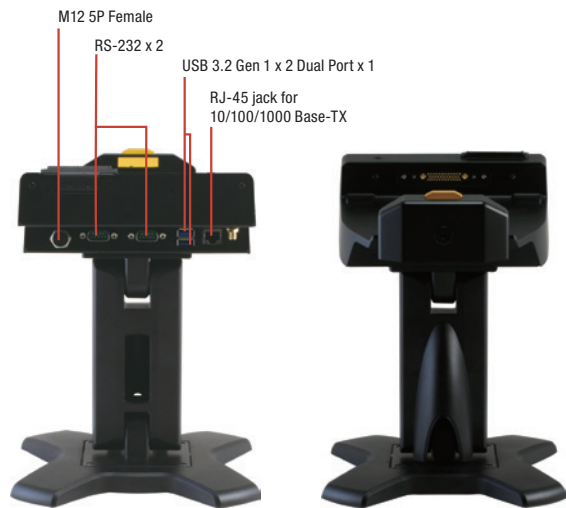
## Packing List

- 12V / 40W AC Power Adapter
- RDS-411

\*Power cord must be purchased separately.

## Optional Accessories

- 170203J000**  
DC Input Cable. 2 Meters. One Side With Mating Connector: DINKLE EC381V-03P. One Side With Flying Wires.



## Features

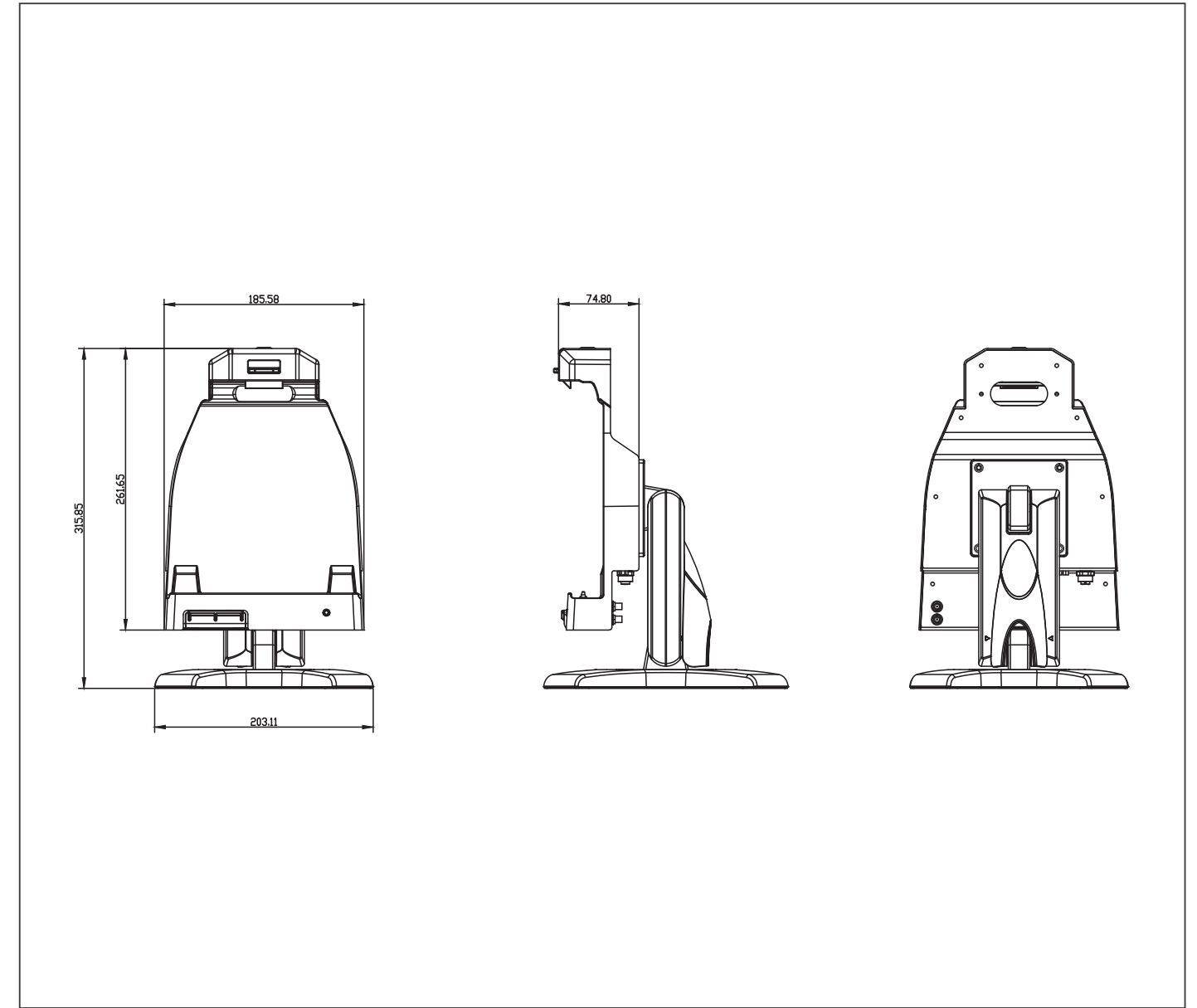
- Apply on RTC-1200
- Anti-theft Lock with Key & VESA mount
- Downward-facing I/Os for Easy Cable Management
- Ext. GPS and WWAN with SMA Connector
- Front-facing I/O: USB x 2 in landscape Side
- Downward-facing I/Os: USB 3.2 Gen 1 Dual Port x 1 + RS-232 x 2, One with 5V in Pin9 & the Other with GPIO x 8, GbE x 1, M12 DC-in x 1
- Wide Voltage Range: 9V DC ~ 36V DC in M12-5P Female Connector
- Adaptor is Additionally: (Car Adaptor with Cigarette Plug or Std Adaptor for YC-14)



## Specifications

System	
I/O	USB 2.0 x 2, USB 3.2 Gen 1 Dual Port x 1, RJ-45 jack for 10/100/1000 Base-TX Ethernet x 1, RS-232 x 2, External antenna for GPS and WWAN x 2
DC Input	M12 5P Female (DC 9V to 36V)
LED Indicator	Orange:DC in w/o Tablet,Blue:DC in w/ Tablet
Mechanical	
Color	Black
Construction	PC
Dimensions (W x H x D)	10.28" x 6.50" x 2.96" (261 x 165 x 75mm)
Gross Weight	6.44 lb (2.92kg)
Environmental	
Operating Temperature	32°F ~ 104°F (0°C ~ 40°C)
Storage Temperature	14°F ~ 122°F (-10°C ~ 50°C)
ESD	Air +/- 8KV, Contact +/- 4KV
EMC/ Safety	CE/FCC Class B/UL
Power Supply	
AC/DC Adapter	Input: 100-240V,47-63Hz,90W Output: 19V/ 4.74A
DC/DC Adapter	Input: 11V-16V DC or 22V-32V DC Output: 19V DC/ 4.73A/ 90W

## Dimension Unit: mm



## Ordering Information

Part Number	Applied Models	Stand	Expansion I/O
RDS-241V-0000	For RTC-1200 Series w/ Stand	Yes	USB 2.0 x 2, USB 3.2 Gen 1 Dual Port x 1, LAN x 1, RS-232 x 2, GPS and WWAN x 2
RDS-241V-0001	For RTC-1200 Series w/o Stand	No	USB 2.0 x 2, USB 3.2 Gen 1 Dual Port x 1, LAN x 1, RS-232 x 2, GPS and WWAN x 2

## Packing List

- RDS-241V
- \*Power cord must be purchased separately.

## Optional Accessories

- 1255300903 Power Adapter
- 1255900900 Flying Lead Adapter for Vehicle





# RTC-1010-VMP-000

VESA Mount Plate for RTC-1010/ RTC-1010M



## Specifications

Mechanical	
Color	Black
Dimensions (W x H x D)	275.6 x 191.7 x 25 mm

## Ordering Information

- **RTC-1010-VMP-000**  
VESA Mount Plate

# RTC-1200HSP01-000

Hand Strap for RTC-1200



## Specifications

Mechanical	
Color	Black
Dimensions (W x H x D)	260 x 92 x 30 mm

## Ordering Information

- **RTC-1200HSP01-000**  
Rotating Hand-Strap

# RTC-1200BKT01-000

VESA Mount Bracket for RTC-1200



## Specifications

Mechanical	
Color	Black
Dimensions (W x H x D)	180 x 203.3 x 45.4 mm

## Ordering Information

- **RTC-1200BKT01-000**  
Mounting Bracket (VESA/RAM)

# RTC-1200BLT01-000

Shoulder Belt for RTC-1200



## Specifications

Mechanical	
Color	Black
Dimensions (W x H x D)	1050 x 65 x 5 mm

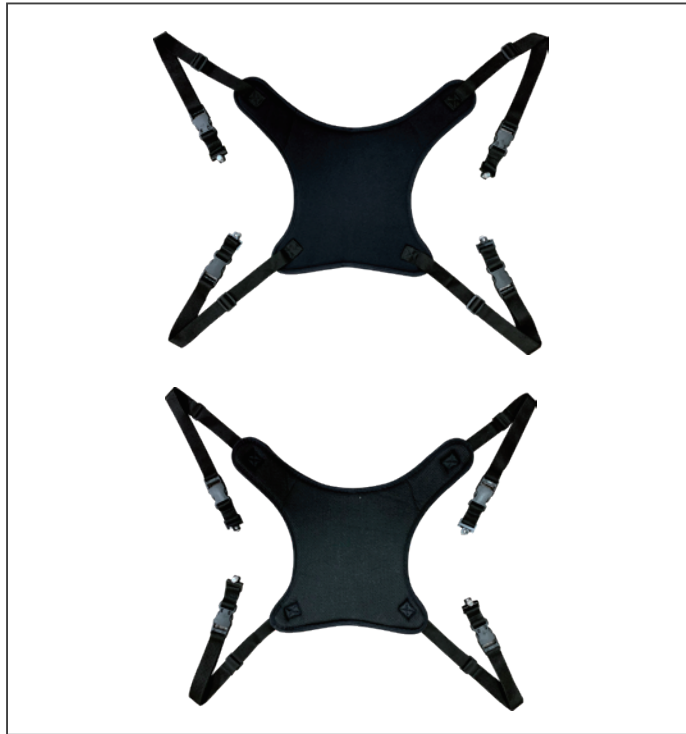
## Ordering Information

- **RTC-1200BLT01-000**  
Shoulder Belt, 2 Points

# 10 RTC-1200BLT02-000

Shoulder Belt for RTC-1200

Rugged Tablet Computers: Accessories



## Specifications

Mechanical	
Color	Black
Dimensions (W x H x D)	450 x 350 x 50 mm

## Ordering Information

- **RTC-1200BLT02-000**  
Shoulder Belt 4 Points

# RTC-1200SPC01-000

2-in-1 Protective Case for RTC-1200



## Specifications

Mechanical	
Color	Black
Dimensions (W x H x D)	310.3 x 204 x 36.5 mm

## Ordering Information

- **RTC-1200SPC01-000**  
2-in-1 Protective Case

# RBC-1200-000

4-bay Battery Charger for RTC-1010/ RTC-1010M, RTC-1200

Rugged Tablet Computers: Accessories



## Specifications

Mechanical	
Color	Black
Dimensions (W x H x D)	140.5 x 68.4 x 121.87 mm
Power Supply	
AC/DC Adapter	AC power input:100-240V, 50Hz-60Hz, 65W, DC power output: 19V/3.42A

## Ordering Information

- **RBC-1200-000**  
4-bay Battery Charger

# RTC-1200BAT01-000

Battery Pack for RTC-1010/ RTC-1010M, RTC-1200



## Specifications

Mechanical	
Color	Black
Dimensions (W x H x D)	71.5 x 110 x 13.3 mm
Capacity	
Capacity	14.4V, 2270mAh, 32.7Wh

## Ordering Information

- **RTC-1200BAT01-000**  
Battery Pack, 14.4V, 2270mAh, 2 pcs/Box

\* This item can be shipped by air based on dangerous goods shipment with extra shipping charge.