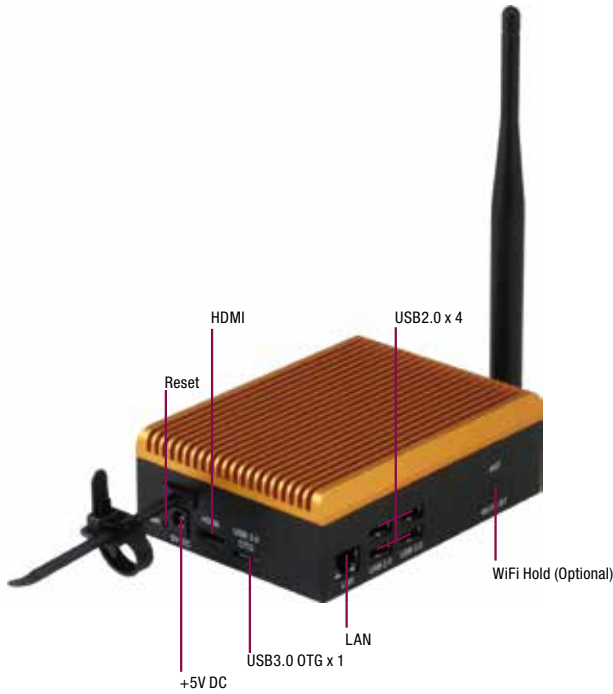


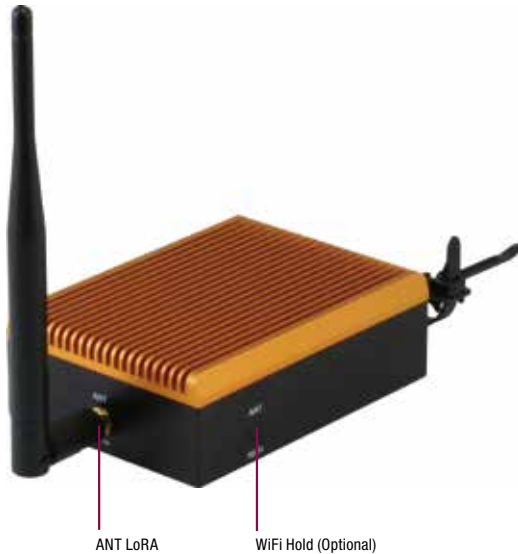
15 UP-LRS01

Intel® LORA Gateway System

Front View



Rear View



Features

- Intel® Atom™ x5-Z8350 SOC
- Onboard 4 GB DDR3L Memory, 64 GB eMMC Storage
- Gigabit LAN x 1, HDMI x 1
- USB 2.0 x 4, USB 3.0 OTG x 1
- LORA Function Supported
- Raspberry Pi HAT 40-Pin Compatible



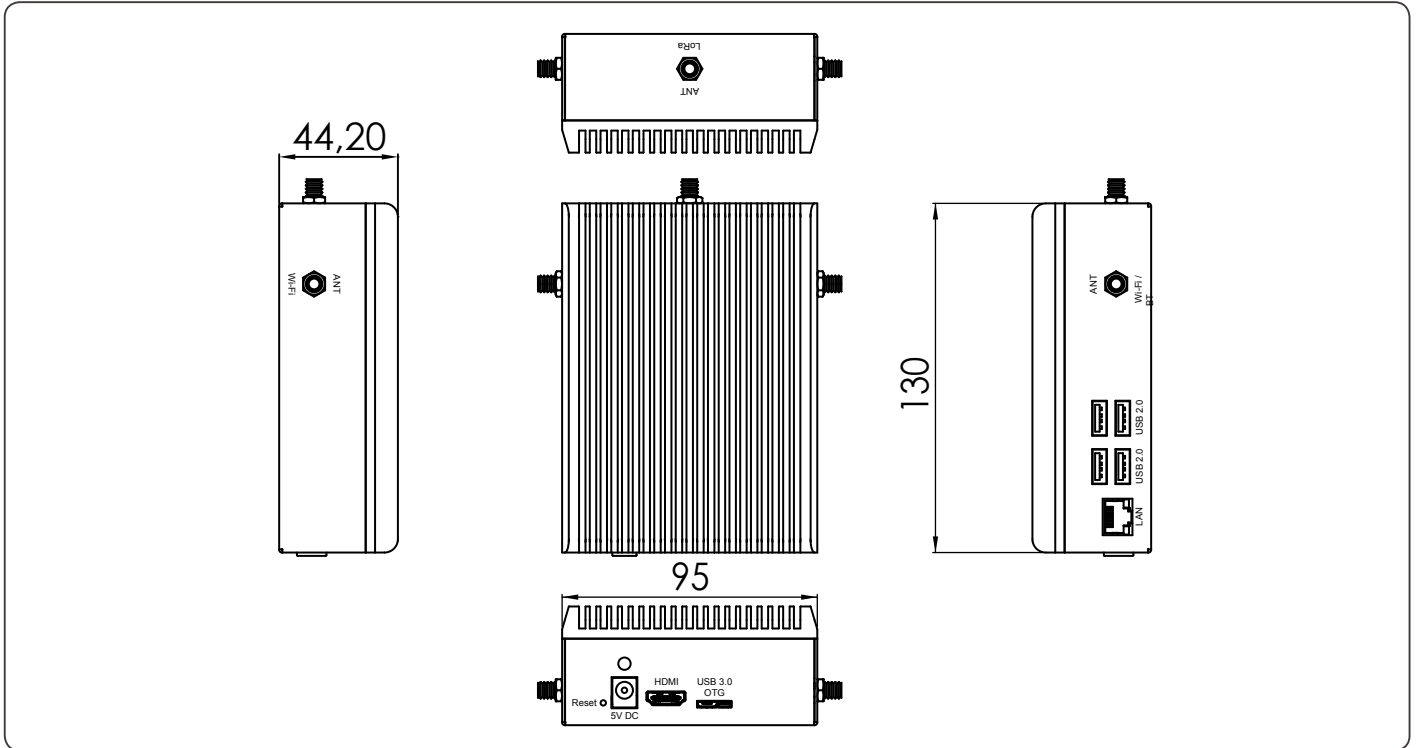
Specifications

System	
CPU	Intel® Atom™ x5-z8350 SoC
Memory	Onboard 4GB DDR3L-1600 memory
Graphics	Intel® HD 400 Graphics ,12 EU GEN 8, up to 500MHz Support DX*11.1/12, Open GL*4.2, Open CL*1.2 OGL ES3.0, H.264, HEVC (decode), VP8
Storage	1x 64 GB eMMC on board
Ethernet	1x Realtek 8111G
Audio	1x HDMI Audio
USB	4x USB2.0, 1x USB 3.0 OTG
LORA function	Frequency band 868MHz SX1301 base band processor Sensitivity down to -138 dBm 2 x SX1257 Tx/Rx front-ends RF interface optimized to 50Ω Output power level up to 20 dBm Range up to 15 km (Line of Sight)
I/O Placements	
External I/O Connector	1x RJ45 Connector 1x HDMI Connector 2x USB 2.0 Stack Connector 1x USB 3.0 OTG 1x DC connector
Others	
Power	5V DC Only
Form Factor	130 mm x 95 mm x 44.2 mm
Operating Temperature	0°C-40°C
Operating Humidity	0% ~ 90% relative humidity, non-condensing
Certification	CE, FCC
OS Support	Ubilinux

UP-LRS01

Dimension

Unit: mm



Ordering Information

- TBD

Packing List

- UP-LRS01

Optional Accessories

- TBD