

Features

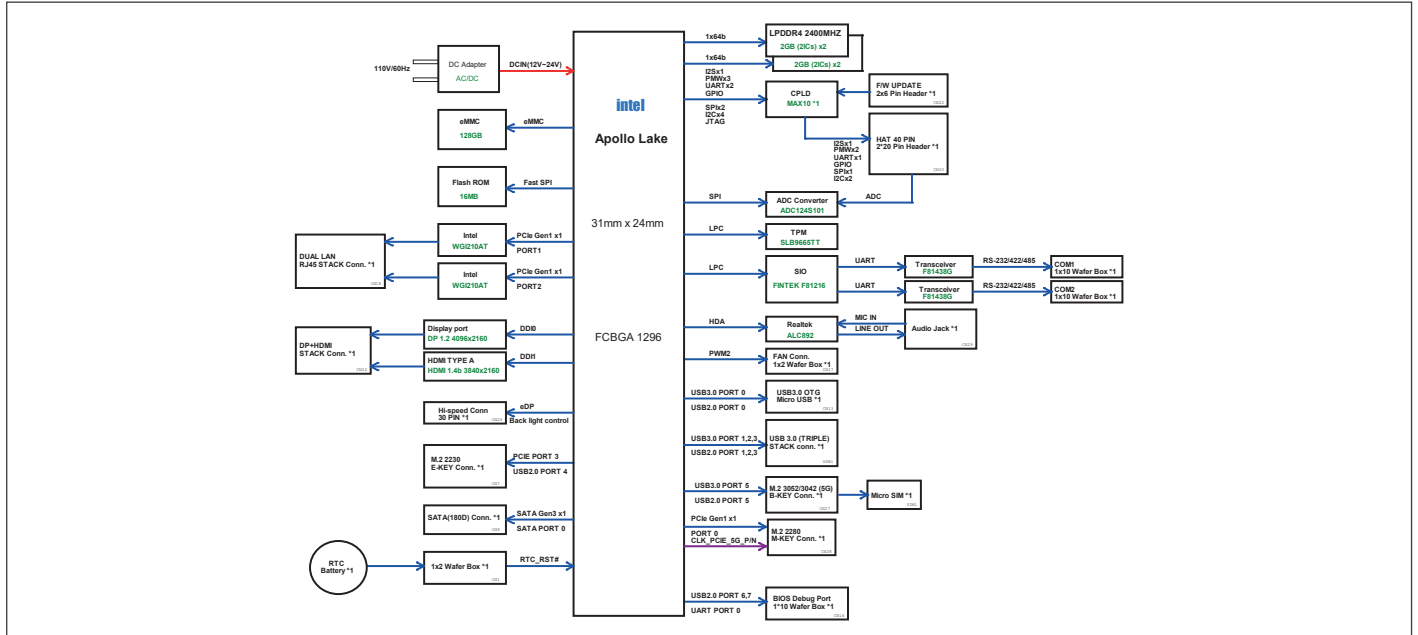
- Intel® Pentium® N4200/ Celeron® N3350/ Atom E3950™ Processor SoC
- Onboard LPDDR4 Memory up to 8GB
- Onboard eMMC Storage up to 64GB
- Gigabit LAN x 2, USB 2.0 x 2, USB 3.2 Gen 1 (Type A) x 3
- 12 VDC-in, 5A
- 40 pin GPIO x 1
- DP/eDP/HDMI x 1
- M.2 2230 E-key x 1
- M.2 2280 M-key x 1
- SATA3 x 1
- M.2 3042/3052 B-key x 1



Specifications

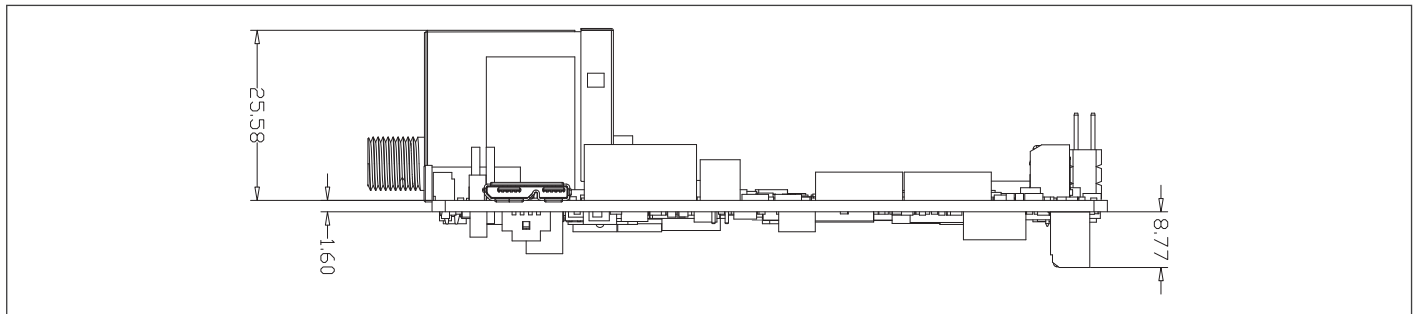
System	
Processor	Intel® Pentium® N4200/ Celeron® N3350/ Atom™ E3950 Processor SoC
Graphics	Intel® Gen 9 HD, supporting 4K Codec Decode and Encode for HEVC4, H.264, VP8
I/O	HDMI x 1 DP x 1 COM port (RS422/RS232/RS485) x 2 Audio Jack x 1
Camera	—
USB	USB 2.0 x 2 USB 3.2 Gen 1 OTG x 1 USB 3.2 Gen 1 (Type A) x 3
Expansion	40 pin GPIO x 1 M.2 2230 E-key x 1 M.2 2280 M-key x 1 SATA3 x 1 M.2 3042/3052 B-key x 1
RTC	Yes
Power	12V-24V DC-in (Lockable plug)/ Phoenix connector (optional)
Dimension	10.16cm x 10.16cm
Memory	2GB (single channel) LPDDR4 4GB/8GB (dual channel) LPDDR4
Storage	eMMC 32 GB / 64 GB
Display Interface	HDMI2.0 x 1 DP1.2 x 1 eDP x 1
Ethernet	Gb Ethernet (full speed) RJ-45 x 2
OS Support	Microsoft Windows 10 (full), Windows IOT Core Linux: Ubuntu 18.04.5, Ubuntu 20.04.1, Yocto 3.1
Operating Temperature	with Fan: 32°F ~ 140°F (0°C ~ 60°C) with Heatsink: 32°F ~ 122°F (0°C ~ 50°C)
Operation Humidity	0% ~ 90% relative humidity, non-condensing
Certification	CE/FCC Class A, RoHS Compliant, REACH

Block Diagram



Dimension

Unit: mm



Ordering Information

Part number	Description
UPN-APLC2F-A10-0232	UPN-APL01.CPU N3350(F1).Memory 2GB.eMMC 32GB.REV.A1.0
UPN-APLC2F-A10-0432	UPN-APL01.CPU N3350(F1).Memory 4GB.eMMC 32GB.REV.A1.0
UPN-APLP4F-A10-0432	UPN-APL01.CPU N4200(F1).Memory 4GB.eMMC 32GB.REV.A1.0
UPN-APLP4F-A10-0864	UPN-APL01.CPU N4200(F1).Memory 8GB.eMMC 64GB.REV.A1.0
UPN-APLX7F-A10-0464	UPN-APL01.CPU E3950(F1).Memory 4GB.eMMC 64GB.REV.A1.0

Optional Accessories

Part Number	Description
1255X00032	12VDC/6A Adapter
1702031803	Power cord for EU
1702031802	Power cord for US
PER-TAIX2-A10-2280	AI Core XM M.2 2280 B+M key card 15mm heatsink with fan
9651926001	M.2 2230 WiFi Kit.802.11ac.2.4G/5G,W/BT w/2 cable & antenna
9741364A00	Wireless LAN Kit M.2 2230 802.11ac/a/b/g/n + BT4.0,2T2R,with 2 sets of cable & antenna

Packing List

- UPN-APL01 with heatsink