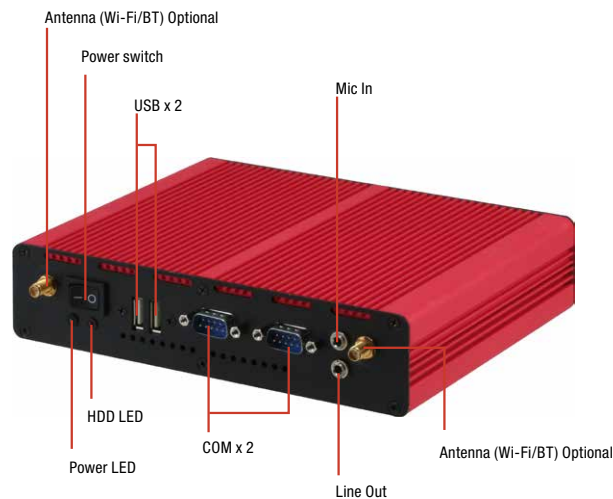
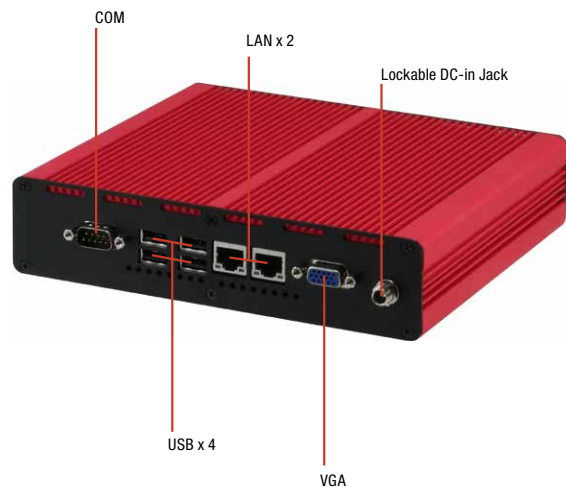


Fanless Embedded Box for EPIC-HD07

Front View



Rear View



Features

- Dual Core AMD G-series T56N/T40N Processor
- Excellent Graphic Performance
- DDR3 1066/1333 MHz Up to 4 GB
- Realtek Gigabit Ethernet x 2, Mini-Card x 1, mSATA x 1
- Low Profile (1U Height) and Lightweight (< 1.7 Kg)
- Easy Reconfiguration
- Fanless and Operation Temp. Support (-20°C ~ 60°C)
- Anti-Vibration Up to 3.5G (mSATA)



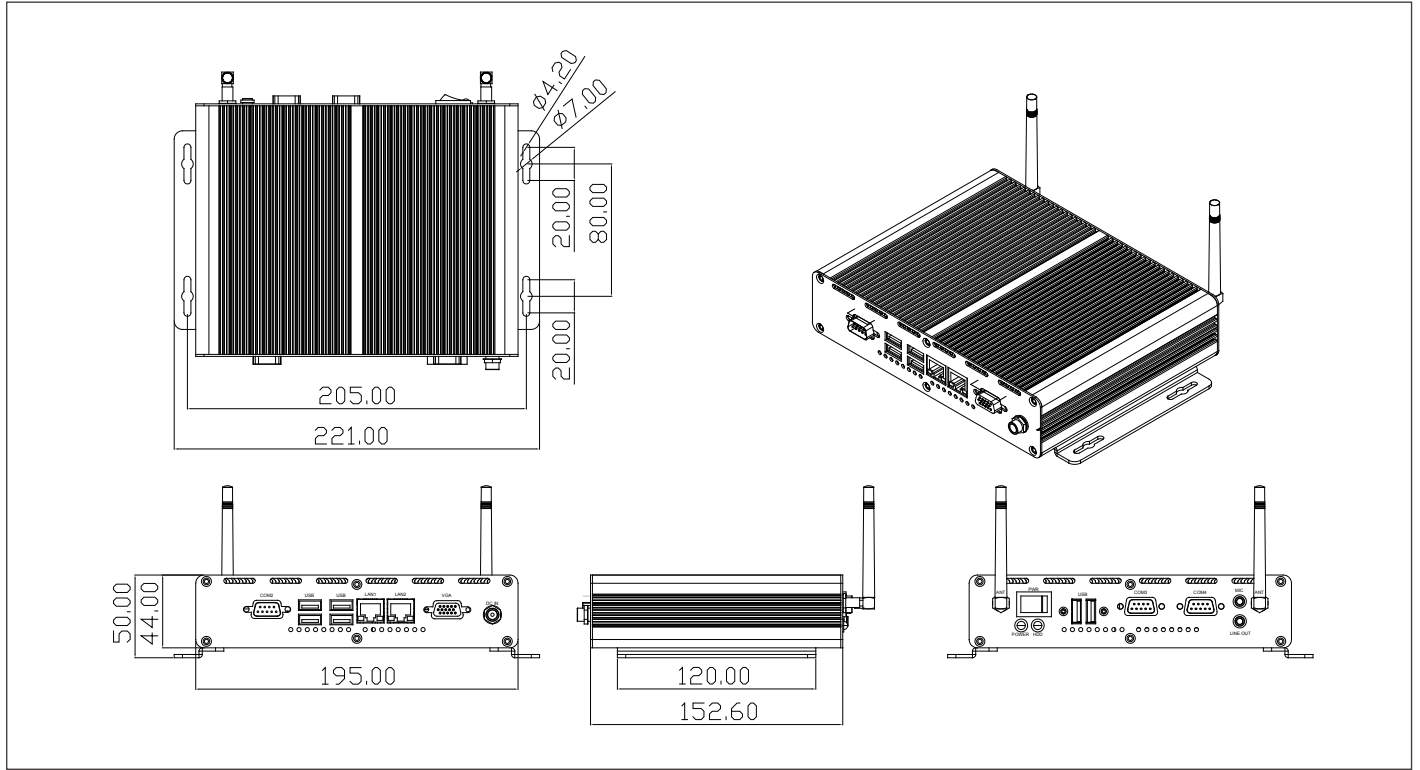
Specifications

CPU	AMD® G-Series T56N/T40N processor	
Chipset	AMD® A55E	
System Memory	DDR3 1066/1333 MHz SDRAM SODIMM x 1, up to 4 GB	
Display Interface	VGA	DB-15 x 1
	DVI	(Optional)
	HDMI	—
	Others	—
Storage Device	SSD	mSATA x 1
	HDD	2.5" SATA HDD bay x 1
Network	LAN	Gigabit Ethernet
	Wireless	Optional by Mini-Card
Front I/O	USB Host	USB2.0 x 2
	LAN	—
	Serial Port	RS-232 x 2
	DIO	—
	Audio	Mic in/Line out
	KB/MS	—
	Others	Power switch x 1, antenna hole x 2
	Power	Power input x 1, antenna hole x 2
Rear I/O	USB Host	USB2.0 x 4
	LAN	RJ-45 x 2
	Serial Port	RS-232/422/485 x 1 (COM2)
	DIO	—
	Audio	—
	KB/MS	—
Others	Power input x 1, VGA x 1	
Expansion	PCIe	—
	PCI	—
	Mini-Card	1
	Mini PCI	—
	Others	mSATA x 1
Indicator	Front	Power LED x 1, HDD active LED x 1
	Rear	—
Power Requirement	DC-in 12V, with DC jack, lockable	
Power Consumption	19.56W	
System Cooling	Passive	
Mounting	Wallmount	
Operating Temperature	-4°F ~ 140°F(-20°C ~ 60°C) for industry HDD/mSATA	
	32°F ~ 122°F(0°C ~ 50°C) for standard HDD/mSATA	
Storage Temperature	-20°C ~ 70°C (-4°F ~ 158°F)	
Anti-Vibration	0.5 Grms/ 5 ~ 500Hz/ operation – HDD	
	3.5 Grms/ 5~ 500Hz/ operation – mSATA	
Anti-Shock	10 G peak acceleration (11 msec. duration) – HDD	
	20 G peak acceleration (11 msec. duration) – mSATA	
MTBF(Hours)	61,000 (excluding power adapter)	
Certification	EMC	CE/FCC class A
	Safety	—
Dimension (W x H x D)	7.68" x 6.01" x 1.73" (195mm x 152.6mm x 44mm)	
Gross Weight	4.54 lb (2.06 kg)	
Note	Windows® XP Embedded, Windows® XP, Windows® 7, Linux Fedora	

TKS-E21-HD07

Dimension

Unit: mm



Ordering Information

Part Number	CPU	RAM	Cooler	Storage	Display Combination	LAN	USB	RS-232	RS-232/422/485	Expansion Slot	Mounting	Power
TKS-E21-HD07-MS-T56N-A10	T56N	SODIMM	Fanless	SATA x 1 mSATA x 1	CRT only	2	6	2	1	Mini-Card x 1, mSATA x 1	Wallmount	60W power adapter
TKS-E21-HD07-MS-T40N-A10	T40N	SODIMM	Fanless	SATA x 1 mSATA x 1	CRT only	2	6	2	1	Mini-Card x 1, mSATA x 1	Wallmount	60W power adapter
TKS-E21-HD07-HD-T56N-A10	T56N	SODIMM	Fanless	2.5" SATA HDD x 1 mSATA x 1	CRT only	2	6	2	1	Mini-Card x 1, mSATA x 1	Wallmount	60W power adapter
TKS-E21-HD07-HD-T40N-A10	T40N	SODIMM	Fanless	2.5" SATA HDD x 1 mSATA x 1	CRT only	2	6	2	1	Mini-Card x 1, mSATA x 1	Wallmount	60W power adapter

Packing List

- 60W Power Adapter
- Wallmount kit
- Product DVD
- TKS-E21-HD07

Optional Accessories

- 1702031802
Power Cord (US Type)
- 1702031803
Power Cord (European Type)
- 170203180E
Power Cord (Japanese Type)