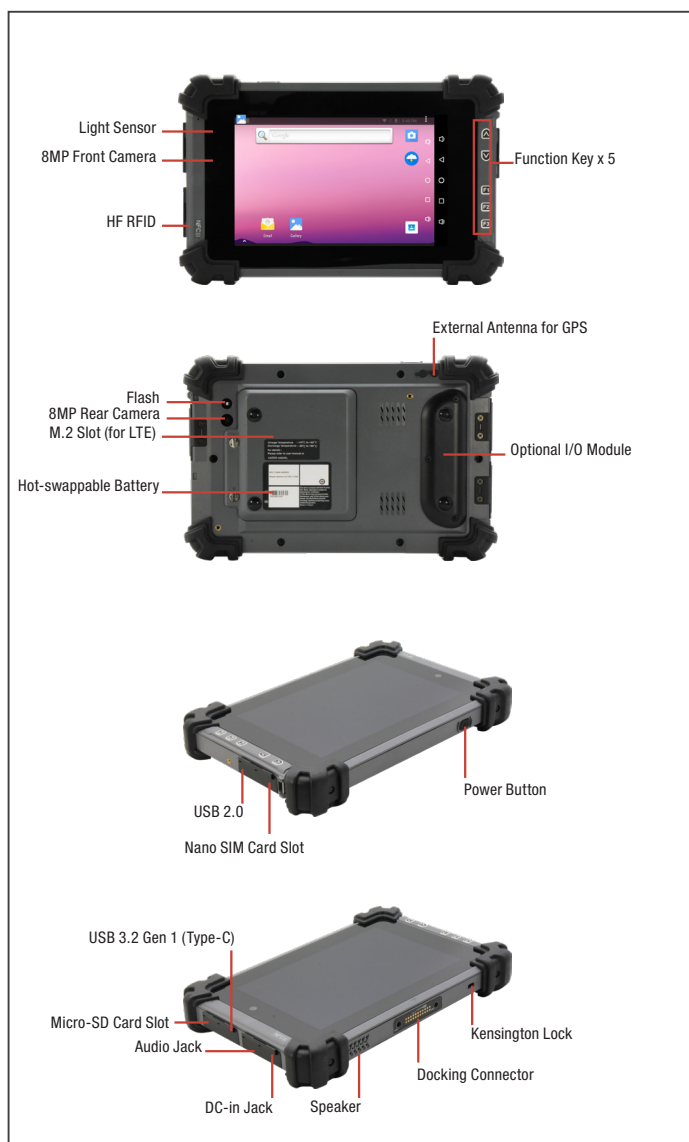


# RTC-710RK

7" Rugged Tablet ARM-based Android™ with 1.6 GHz Quad Core Processor



## Specifications

System Architecture	
Processor	Rockchip RK3399K Processor (Quad-Core A53 1.6GHz & Dual-Core A72 2.0GHz)
Operating System	Android 8.1 Android 11 (Optional, no NFC function)
Memory	Onboard LPDDR4 2GB (Default) / 4GB
Storage	eMMC 16GB (Default) / 32GB / 64GB
Display	7" WXGA (1280x800) 300-nit / 700-nit TFT LCD With Projected Capacitive Multi-Touch Screen
I/O Port	SIM card slot x 1 USB 3.2 Gen 1 Type-C x 1 Audio jack x 1 (3.5mm) DC-in jack x 1 Micro-SD card slot x 1 USB 2.0 Type-A x 1 UART Port x 1 (Via I/O Module) 10/100/1000 Base-T RJ45 x 1 (Via I/O Module)
Communication	Wi-Fi 802.11 b/g/n, Bluetooth v4.2 (EDR + BLE)
Navigation	GPS + GLONASS (Default), BeiDou (Optional), External Antenna (Optional)
WWAN(optional)	LTE via M.2 slot (Optional) Hot-swappable Battery can not be used when LTE module is installed.
Camera	8MP front camera 8MP rear camera with flash
Sensor	G-sensor, E-compass, Gyro-sensor, Light-sensor

## Features

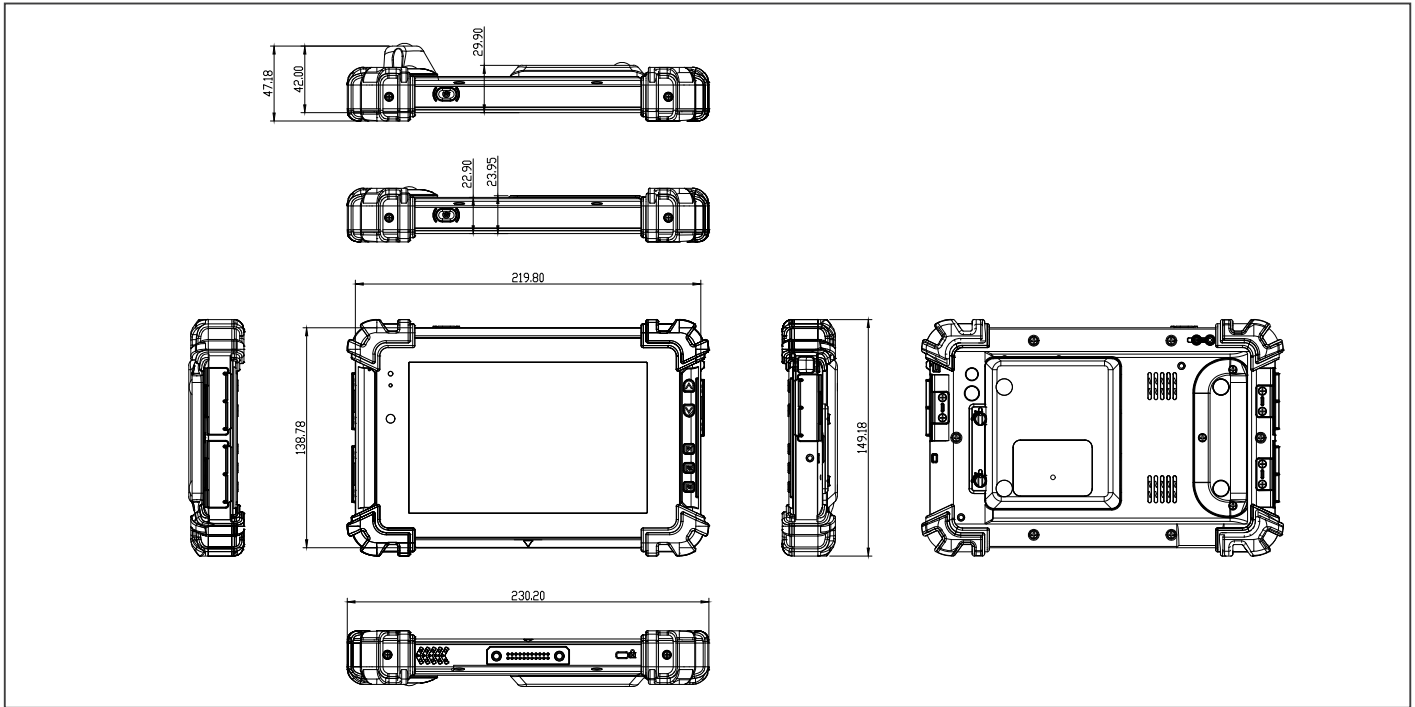
- 7" WXGA (1280 x 800) 700-nit / 300-nit TFT LCD
- Rockchip RK3399K Processor
- Onboard LPDDR4 Memory, 2GB (Default) / 4GB
- eMMC 16GB (Default) / 32GB / 64GB
- Projected Capacitive Multi-Touch Screen
- WiFi 802.11b/g/n, Bluetooth 4.2, LTE (Optional)
- 8MP Front and 8MP Rear Camera
- UART Port + 10/100/1000 Base-T RJ45 via I/O Module (Optional)
- USB 3.2 Gen 1 Type-C x 1, USB 2.0 Type-A x 1
- 2D Barcode Scanner via I/O Module (Optional)
- NFC (HF RFID) Reader (Optional)
- GPS + GLONASS (Default), BeiDou (Optional)
- One Hot-swappable Battery + Internal Battery, Up to 44W Battery Capacity
- MIL-STD-810G, IP65 Compliant, Drop 122cm
- Programmable Function Key: F1, F2, F3, Volume Up/Down, With LED Illumination
- Android 8.1/ Android 11 (Optional)



Expansion Slot	M.2 slot x 1 Docking connector: USB 3.2 Gen 1 x 1
Barcode Scanner (Optional)	2D Barcode scanner, OPTICON MDI-4100-USB via I/O module (Optional)
HF RFID (Optional)	ISO 15693 (R/W), ISO 18092 (R/W), ISO 14443-A (R/W), ISO 14443-B (R/W), Depend on card type
Audio	Speaker x 1
Physical Key	F1 (Audio On/Off), F2 (Screenprint), F3 (Barcode Scanner Trigger), Volume Up, Volume Down
<b>Mechanical</b>	
Color	Dark Gray
Dimension (W x H x D)	8.65" x 5.46" x 0.94" (219.8 x 138.8 x 23.9 mm)
Gross Weight	1.54 lb (0.7 Kg) based on configurations
<b>Environmental</b>	
Operating Temperature	-4°F ~ 140°F (-20°C ~ 60°C) for high-brightness version
Storage Temperature	-22°F ~ 158°F (-30°C ~ 70°C)
Humidity	MIL-STD-810G Method 507.5
Environmental Sealing	IP65
Vibration	MIL-STD-810G Method 514.6
Drop	MIL-STD-810G Method 516.6 Procedure IV Height of Drop: 122 cm (48 inch; 4 ft)
Shock	MIL-STD-810G
ESD	Air charge: +/- 8KV, Contact charge: +/- 4KV
Certifications and Standards	UL62368-1, CE, FCC, IC
<b>Power Supply</b>	
AC / DC Adapter	AC 100 ~ 240 V, 50 ~ 60 Hz, Output: 12W/ 3.34A/ 40W
Battery Life	Li-ion Battery 8-hour battery life based on test configurations
Master Battery	7.2V, 4540mAh, 32.7W
Slave Battery	Hot-swappable battery: 7.4V, 1530mAh, 11.3W (Optional)
<b>Display</b>	
LCD	7" TFT-LCD / 16:10, with LED backlight
Resolution	1280 x 800
Maximum Color	—
Dot Size	0.03925(H) X 0.11775(V) mm
Brightness	700 / 300 nits
Viewing Angle	Horizontal: 178° (Typ.), Vertical: 178° (Typ.)
<b>Touch Screen</b>	
Touch Type	7" Projected Capacitive Multi-Touch Screen (700 nits with 10 points / 300 nits with 5 points)
Light Transmission	Min. 85%

## Dimension

Unit: mm



## Packing List

- **RTC-710RK**
  - **1255X00008**  
AC-To-DC Power Adaptor, 12V, 40W
- \*Power cord must be purchased separately.

## Optional Accessories

- **RDS-0710-000**  
Docking Station
- **RDS-0710-001**  
Docking Station, W/ Stand
- **RTC-710-HS-000**  
Hand Strap
- **RTC-710-BAG-000**  
Carry Bag
- **RDS-0040-0000**  
4-Bay Battery Charger
- **9741600R04**  
Battery Pack, 7.4V, 1530mAh, 2pcs/Box
- **RTC-710-VMP-000**  
VESA Mount Plate
- **1259X00003**  
Car Adapter, Cigarette Plug
- **1702031802**  
Power Cord for USA
- **1702031803**  
Power Cord for Europe
- **170203180J**  
Power Cord for UK
- **170203180E**  
Power Cord for Japan

## Ordering Information

Part Number	CPU	OS	LCD Display	Touch Screen	System Memory	Storage	Expansion I/O	Sensor	WiFi/Bluetooth	Navigation	LTE Bands (MHz)	Camera	Docking	2D Barcode Scanner	HF RFID	Battery	Power
RTC-710RK-RH0001	RK3399K	Android 8.1	7" 700 nits	PCT 10 points	LPDDR4 2GB	eMMC 16GB	SIM card slot x 1, USB 3.2 Gen 1 Type-C x 1, Audio jack x 1 (3.5mm), DC-in jack x 1, Micro-SD card slot x 1, USB 2.0 Type-A x 1	G-sensor Gyro-sensor Light-sensor	802.11 b/g/n + BT4.2	—	—	Front: 8MP	—	—	—	32.7W (internal)	DC12V
RTC-710RK-RH0002	RK3399K	Android 8.1	7" 700 nits	PCT 10 points	LPDDR4 2GB	eMMC 16GB	SIM card slot x 1, USB 3.2 Gen 1 Type-C x 1, Audio jack x 1 (3.5mm), DC-in jack x 1, Micro-SD card slot x 1, USB 2.0 Type-A x 1, UART Port x 1 (Via I/O Module), 10/100/1000 Base-T RJ45 x 1 (Via I/O Module)	G-sensor Gyro-sensor Light-sensor	802.11 b/g/n + BT4.2	GPS / GLONASS	—	Front: 8MP Rear: 8MP w/ Flash	Yes	—	Yes	32.7W + 11.3W	DC12V
RTC-710RK-RH0003	RK3399K	Android 8.1	7" 700 nits	PCT 10 points	LPDDR4 2GB	eMMC 16GB	SIM card slot x 1, USB 3.2 Gen 1 Type-C x 1, Audio jack x 1 (3.5mm), DC-in jack x 1, Micro-SD card slot x 1, USB 2.0 Type-A x 1, UART Port x 1 (Via I/O Module), 10/100/1000 Base-T RJ45 x 1 (Via I/O Module)	G-sensor Gyro-sensor Light-sensor	802.11 b/g/n + BT4.2	GPS / GLONASS	—	Front: 8MP Rear: 8MP w/ Flash	Yes	—	Yes	32.7W + 11.3W	DC12V
RTC-710RK-RH0004	RK3399K	Android 8.1	7" 700 nits	PCT 10 points	LPDDR4 2GB*	eMMC 16GB	SIM card slot x 1, USB 3.2 Gen 1 Type-C x 1, Audio jack x 1 (3.5mm), DC-in jack x 1, Micro-SD card slot x 1, USB 2.0 Type-A x 1, 2D BCR x 1 (Via I/O Module)	G-sensor Gyro-sensor Light-sensor	802.11 b/g/n + BT4.2	GPS / GLONASS	—	Front: 8MP Rear: 8MP w/ Flash	Yes	Yes	Yes	32.7W + 11.3W	DC12V
RTC-710RK-RH0005	RK3399K	Android 8.1	7" 700 nits	PCT 10 points	LPDDR4 4GB	eMMC 16GB	SIM card slot x 1, USB 3.2 Gen 1 Type-C x 1, Audio jack x 1 (3.5mm), DC-in jack x 1, Micro-SD card slot x 1, USB 2.0 Type-A x 1	G-sensor Gyro-sensor Light-sensor	802.11 b/g/n + BT4.2	GPS / GLONASS	—	Front: 8MP Rear: 8MP w/ Flash	Yes	—	Yes	32.7W + 11.3W	DC12V