

RTC-1010RK

10.1" Rugged Tablet Featuring Rockchip RK3399 With Android™ 11



Specifications

System Architecture	
Processor	Rockchip RK3399 Processor (Quad-Core Arm® Cortex®-A53, 1.6 GHz & Dual-Core Arm® Cortex®-A72, 2.0 GHz)
Operating System	Android™ 11
Memory	Onboard LPDDR4 Memory, 2GB/4GB (Default)
Storage	eMMC 64GB (Default)/128GB
Display	10.1" WXGA (1280 x 800) 800-nit/300-nit TFT LCD with Projected Capacitive Multi-Touch Screen
I/O Port	Micro HDMI Port x 1 SIM Card Slot x 1 MicroSD Card Slot x 1 Audio Jack x 1 (3.5mm) USB 3.2 Gen 1 x 2 (USB Type-C x 1), USB 2.0 x 2 DC-in Jack x 1 RS-232/422/485 COM Port x 1 10/100/1000 Base-T RJ-45 x 1
Communication	Wi-Fi 802.11 a/b/g/n/ac, Bluetooth v5.2 (EDR + BLE)
Navigation	GPS + GLONASS (Default), BeiDou (Optional)
WWAN(optional)	LTE via M.2 slot, B Key 3042 (Optional)
Camera	8MP Front Camera 8MP Rear Camera with flash
Sensor	G-sensor, E-compass, Gyro-sensor, Light-sensor
Expansion Slot	M.2 3042 B-Key (LTE) Docking connector: USB 2.0 x 1
Barcode Scanner (Optional)	2D Barcode scanner, OPTICON MDI-4100-USB (Optional)

Features

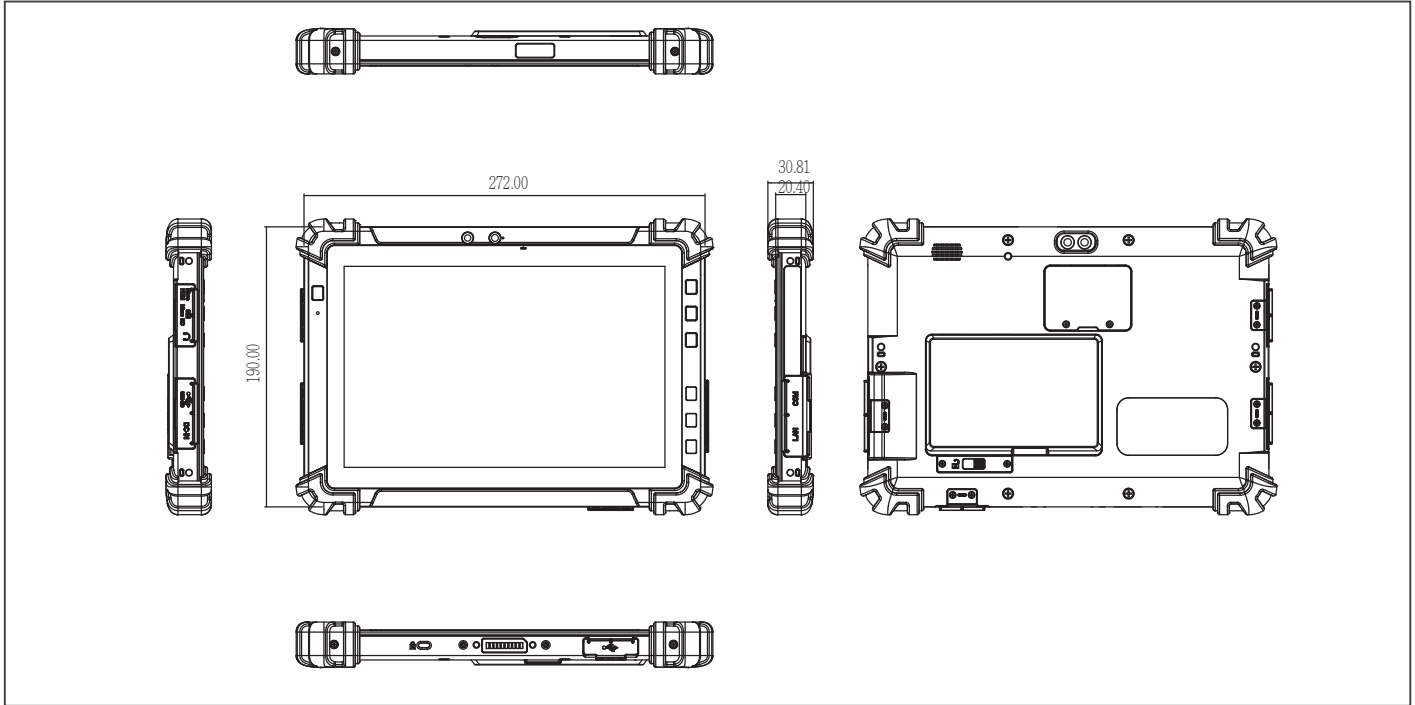
- 10.1" WXGA (1280 x 800) 800-nit/300-nit TFT LCD
- Rockchip RK3399 Processor
- Onboard LPDDR4 Memory, 2GB/4GB (Default)
- eMMC 64GB (Default)/128GB
- Wi-Fi 802.11 a/b/g/n/ac, Bluetooth 5.2, LTE (Optional)
- 8MP Front and 8MP Rear Camera
- RS-232/422/485 COM Port + 10/100/1000 Base-T RJ-45
- USB 3.2 Gen 1 x 2 (USB Type-C x 1), USB 2.0 x 2
- 2D Barcode Scanner (Optional)
- HF RFID (NFC) Reader (Optional)
- GPS + GLONASS (Default), BeiDou (Optional)
- One Hot-swappable Battery + Internal Battery, Up to 44W Capacity
- MIL-STD-810H, IP65 Compliant, Drop 122cm
- Programmable Function Keys
- Android™ 11



HF RFID (Optional)	ISO 15693 (R/W), ISO 18092 (R/W), ISO 14443-A (R/W) ISO 14443-B (Only Read UID), Depend on card type
Audio	Speaker x 1
Physical Key	F0, F1 (BCR Trigger Button (When BCR is enabled), F2 (Screenprint), F3 (Audio On/Off), Volume Up (Speaker Volume Up), Volume Down (Speaker Volume Down)
Mechanical	
Color	Black & Dark Grey
Dimension (W x H x D)	272.0mm x 190.0mm x 20.4mm (10.71" x 7.48" x 0.80")
Gross Weight	2.2 lb (1.0 Kg) based on configurations
Environmental	
Operating Temperature	-20°C ~ 50°C (-4°F ~ 122°F)
Storage Temperature	-30°C ~ 70°C (-22°F ~ 158°F)
Humidity	0% ~ 90% relative humidity, non-condensing
Environmental Sealing	IP65
Vibration	MIL-STD-810H: 2019, 514.8 Procedure I, Table 514.8C-1 Category 4 common carrier 5~500Hz X, Y, Z axes, 1-hour duration for each axis
Drop	MIL-STD-810H: 2019, 516.8 Procedure IV Drop height: 122cm Number of Drop: 26 times, for all surfaces, edges and corners Condition: Based on 2" plywood over concrete
Shock	MIL-STD-810H: 2019, 516.8 Procedure V
ESD	Air charge: +/- 8KV, Contact charge: +/- 4KV
Certifications and Standards	CE, FCC, TELEC
Power Supply	
AC / DC Adapter	AC 100V ~ 240 V, 50Hz ~ 60Hz, Output: 12V/3A/36W
Battery Life	Li-ion Battery 8-hour battery life based on test configurations
Master Battery	Hot-swappable battery: 14.4V, 2270mAh, 32.7W
Slave Battery	7.4V, 1530mAh, 11.3W
Display	
LCD	10.1" TFT-LCD Display
Resolution	1280 x 800
Maximum Color	16.7M
Dot Size	0.1692mm (H) x 0.1692mm (W)
Brightness	300 nits (800 nits, Optional)
Viewing Angle	Horizontal: 170°, Vertical: 170° (Typical)
Touch Screen	
Touch Type	Projected Capacitive Multi-Touch Screen (PCT)
Light Transmission	Min. 87%

Dimension

Unit: mm



Packing List

- **RTC-1010RK**
 - **1255300365**
AC-To-DC Power Adaptor, 12V, 36W
 - **Power Cord (By Order)**
- *Power cord must be purchased separately.

Optional Accessories

- **RDS-411-000**
Docking Station, W/O Stand
- **RDS-411-001**
Docking Station, W/ Stand
- **RBC-1200-000**
4-bay Battery Charger
- **RTC-1010-HS-000**
Hand Strap
- **RTC-1010-SB-000**
Shoulder Belt, 2 Points
- **RTC-1200BAT01-000**
Battery Pack, 14.4V, 2270mAh , 2 pcs/Box
- **RDS-411-DIC-000**
DC Input Cable, 2 Meters, For RDS-411
- **RTC-1010-DTDPA-002**
DC-To-DC Power Adaptor, 12V to 36V Input, 12V/3A Output, One End-DC Jack, One End-Two Flying
- **RTC-1010-DTDPA-001**
DC-To-DC Power Adaptor, 12V to 36V Input, 12V/3A Output, One End-DC Jack, One End-Cigarette Plug
- **1702031802**
Power Cord for US
- **1702031803**
Power Cord for EU
- **170203180J**
Power Cord for UK
- **170203180E**
Power Cord for Japan

Ordering Information

Part Number	CPU	OS	LCD Display	Touch Screen	System Memory	Storage	Expansion I/O	Sensor	WiFi/Bluetooth	Navigation	LTE Bands (MHz)	Camera	Docking Connector	2D Barcode Scanner	NFC	Battery	Power
RTC-1010RK-R0001	RK3399K	Android 11	10.1" 300 nits	PCT 10 points	LPDDR4 4GB	eMMC 64GB	Micro-HDMI port x 1 SIM card slot x 1 Micro-SD card slot x 1 Audio jack x 1 (3.5mm) USB 3.2 Gen 1 x 2 (USB Type-C x 1), USB 2.0 x 2 DC-in jack x 1 RS-232/422/485 COM Port x 1 10/100/1000 Base-T RJ45 x 1	G-sensor E-compass Gyro-sensor Light-sensor	802.11 b/g/n + BT5.0	GPS / Galileo / GLONASS	—	Front: 8MP Rear: 8MP w/ Flash	Yes	—	—	32.7W + 11.3W	DC12V
RTC-1010RK-R0002	RK3399K	Android 11	10.1" 300 nits	PCT 10 points	LPDDR4 4GB	eMMC 64GB	Micro-HDMI port x 1 SIM card slot x 1 Micro-SD card slot x 1 Audio jack x 1 (3.5mm) USB 3.2 Gen 1 x 2 (USB Type-C x 1), USB 2.0 x 2 DC-in jack x 1 RS-232/422/485 COM Port x 1 10/100/1000 Base-T RJ45 x 1	G-sensor E-compass Gyro-sensor Light-sensor	802.11 b/g/n + BT5.0	GPS / Galileo / GLONASS	—	Front: 8MP Rear: 8MP w/ Flash	Yes	Yes	Yes	32.7W + 11.3W	DC12V
RTC-1010RK-RH0001	RK3399K	Android 11	10.1" 800 nits	PCT 10 points	LPDDR4 4GB	eMMC 64GB	Micro-HDMI port x 1 SIM card slot x 1 Micro-SD card slot x 1 Audio jack x 1 (3.5mm) USB 3.2 Gen 1 x 2 (USB Type-C x 1), USB 2.0 x 2 DC-in jack x 1 RS-232/422/485 COM Port x 1 10/100/1000 Base-T RJ45 x 1	G-sensor E-compass Gyro-sensor Light-sensor	802.11 b/g/n + BT5.0	GPS / Galileo / GLONASS	—	Front: 8MP Rear: 8MP w/ Flash	Yes	—	—	32.7W + 11.3W	DC12V
RTC-1010RK-RH0002	RK3399K	Android 11	10.1" 800 nits	PCT 10 points	LPDDR4 4GB	eMMC 64GB	Micro-HDMI port x 1 SIM card slot x 1 Micro-SD card slot x 1 Audio jack x 1 (3.5mm) USB 3.2 Gen 1 x 2 (USB Type-C x 1), USB 2.0 x 2 DC-in jack x 1 RS-232/422/485 COM Port x 1 10/100/1000 Base-T RJ45 x 1	G-sensor E-compass Gyro-sensor Light-sensor	802.11 b/g/n + BT5.0	GPS / Galileo / GLONASS	—	Front: 8MP Rear: 8MP w/ Flash	Yes	Yes	Yes	32.7W + 11.3W	DC12V