

10.2" Rugged Tablet Computer X86-based Windows® 7 with 1.06 GHz Processor



## Features

- 10.2" (1024 x 600) 200 nits, 500 nits (Optional), TFT LCD Display
- Intel® Core™ i7-620UE 1.06GHz Processor
- DDR3 Onboard 2 GB (Default) + SODIMM Socket x 1, Up To 6 GB (Optional)
- Touch Screen, Advanced Optibond Technology (AOT™)
- MIL-STD-810G, IP54 Compliant
- PCMCIA or Smart Card, CompactFlash™ Card or SDHC Card Sockets
- 9-Cell Smart Li-Ion High-Capacity Battery, up to 5-Hour Battery Life
- WiFi 802.11 b/g + Bluetooth® 2.0
- GSM/ 3G/ 3.5G (Optional), GPS (Optional)
- Built-in G-Sensor
- Numeric Keypad, Programmable Function Keys
- Windows® Embedded Standard 2009 (Default), Windows® Embedded Standard 7 (Optional), Linux: Ubuntu 9.04 (Optional)



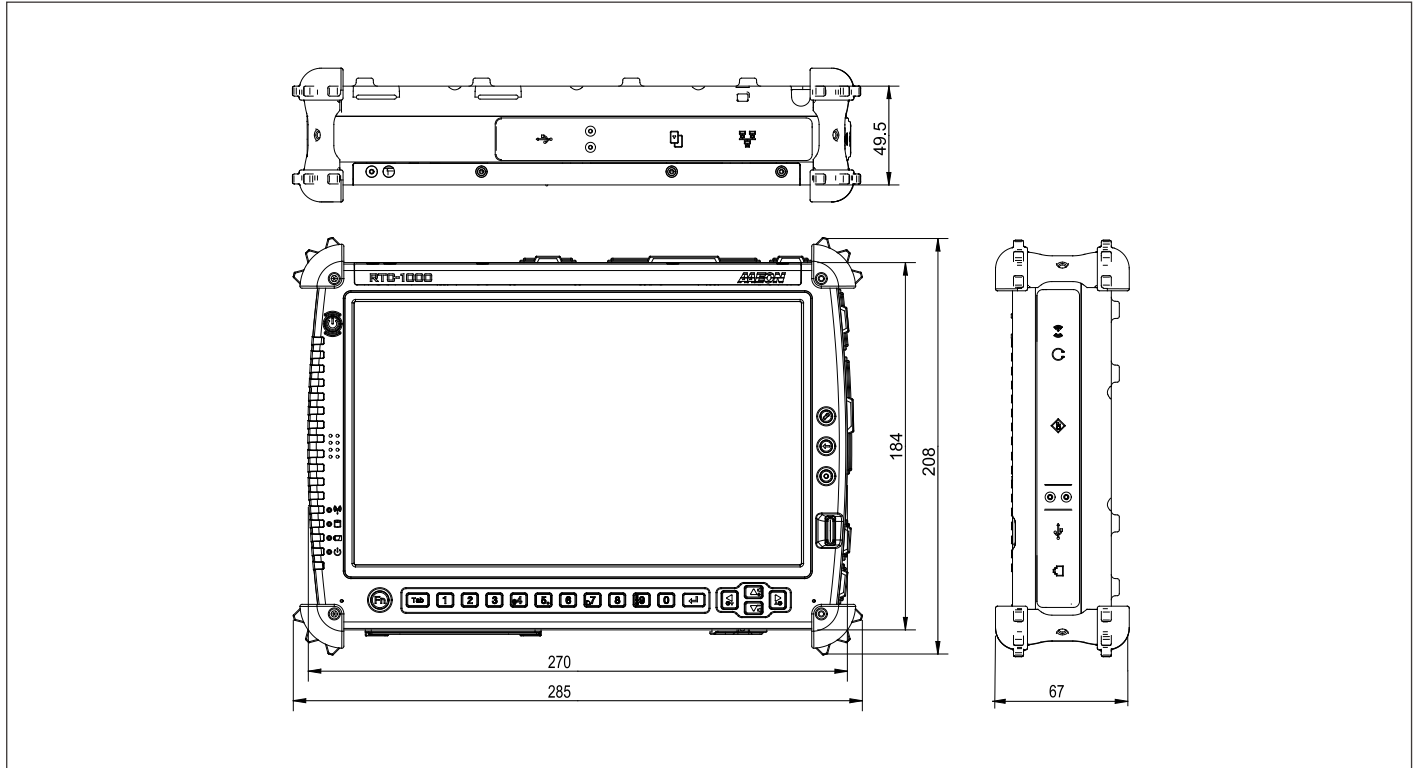
## Specifications

System	
Processor	Intel® Core™ i7-620UE 1.06GHz
System Memory	DDR3 onboard 2GB(Default)+SODIMM socket x 1, up to 6GB
Chipset	Intel® QM57 Express chipset
LCD Display	10.2" WSVGA (1024x600) TFT LCD with Touch Screen (AOT)
Communication	Gigabit Ethernet, WLAN 802.11 b/g+Bluetooth 2.0 Class 1, 3.5G Modem module (Optional)
I/O Port	COM(RX-232/422/485) x 1, USB 2.0 x 2, Mini USB x 1, VGA x 1, Docking port x 1, Two audio in/out jacks for Microphone/ Earphone
Storage Disk	2.5" SATA Hard Disk/SSD (Optional)
Expansion Slot	PCMCIA (Default) or Smart Card x 1, Mini-Card x 2, CompactFlash x 1 or SDHC x 1, SIM x 1
OS Support	Windows Embedded Standard 2009, Windows Embedded Standard 7, Linux Ubuntu 9.04
Mechanical	
Construction	Al-Mg alloy
Color	Black
Dimension	10.63"(W) x 7.24"(D) x 1.93"(H) (270mm x 184mm x 49mm)
Carton Dimension	17.95"(W) x 11.69"(D) x 15.27"(H) (456mm x 297mm x 388mm)
Gross Weight	5 lb (2.3 kg), including 9-cell battery, hand strap and bumpers
Environmental	
Operating Temperature	-4°F~140°F (-20°C~60°C)
Storage Temperature	-67°F~167°F (-55°C~75°C)
Operating Humidity	10 to 95% @ 40°C, non-condensing
Water & Dust Proof	IP54 Compliance
Vibration	Meets MIL-STD-810G-514.6, Procedure I Cat. 24, Fig. 514.6E-1 & 514.6E-2(UNITS is non-operating), ASTM 4169-99 Truck Assurance Level 2, Schedule E(UNITS is operating)
Drop	26 drop of 48 inches height to 2" plywood over concrete with uNits off MIL-STD-810G-516.6, Procedure IV
ESD	Air +/- 8KV, Contact +/- 4KV, IEC61000-4-2
EMC/Safety	CE/FCC Class B/UL
Power Supply	
AC/DC Adapter	AC Power input: 100V-240V, 50Hz-60Hz, 65W, DC Power output: 19V
Battery	3SSP 9-Cell (7,800 mAh) battery, up to 5-Hours battery life
LCD	
Display Type	10.2" 16:9 TFT LCD
Max. Resolution	1024 x 600
Max. Color	262K colors
Dot Size	0.2175 x 0.2175
Luminance	200/500 nits (Optional)
View Angle	Vertical 60° (R)/60° (L), Horizontal 70° (U)/70° (L)

# RTC-1000i

## Dimension

Unit: mm



### Touch Screen

Type	4-wire, Analog Resistive
Resolution	1024 x 600
Light Transmission	≥87%

Note: RTC-1000i has a RJ-11 connector, but the cable modem function has been removed.

## Packing List

- **1702031380**  
Power Cord
- **1757306503**  
Adapter
- **Product CD**
- **RTC-1000i**

## Optional Accessories

- **9686666612**  
3.5G Modem Module Kit
- **9761100016**  
GPS Module Kit
- **RDS-141V-0000**  
Office Docking Station
- **RDS-141V-0002**  
Vehicle Docking Station
- **1757407201**  
Vehicle DC/DC Adapter, 12V/24V Input
- **2192619061**  
Carry Bag

\* Small quantity MOQ may apply for optional/customized services.

## Ordering Information

Part Number	CPU	LCD Display	System Memory	Storage	Touch Screen	OS	WiFi	Power	Sunlight Readable
TF-RTC-1000I-TA-WB-2110	Intel® Core™ i7-620UE	10.2" TFT LCD, 200 nits	DDR3 2GB	320 GB	AOT	Windows® Embedded Standard 2009	802.11 b/g	DC19V	—
TF-RTC-1000I-TAS-WB-2110	Intel® Core™ i7-620UE	10.2" TFT LCD, 500 nits	DDR3 2GB	320 GB	AOT	Windows® Embedded Standard 2009	802.11 b/g	DC19V	Yes